

## THULA

designed by Federica Biasi

562.21 Sospensione - Pendant

### Collezione / Series

Thula

### Dimensioni / Dimensions

H. 11 x L. 67 / H. 4.3" x L. 26.4"

### Peso / Weight

1,6 kg / 3,5 lb

### Materiali / Materials

aluminum, metal, leather, wood

CE  IP40

### Certificazioni / Certifications

CE (240V)

### Sorgente / Source

110/240 V

Integrated LED

Wattage: 11 Watts

Lumens: 1500 lm

Dimmability: TRIAC

Color Temperature: 2700K

Cable: 150 cm

### Note / Notes

DALI version on request

### Finiture / Finishes

Hardware: C22 Beige + C22 Beige  
C22 Beige + C68 Satin nickel,  
C74 Sand black + C74 Sand black,  
C74 Sand black + C68 Satin nickel

Shade: L02 Beige leather, W02  
Canaletto walnut, W03 Light oak

Struttura realizzata in alluminio e metallo verniciato a polveri epossidiche a cui viene aggiunto un componente organico in legno o pelle trapuntata. Composta da un LED lineare dimmerabile. Versione con cavo e spina disponibile su richiesta. Driver remoto.

Structure made of aluminum and epoxy powder coated metal to which an organic component in wood or quilted leather is added. Composed of a dimmable linear LED. Version with cable and plug available on request. Remote driver.

## ABOUT

Disegnate da Federica Biasi, le appliques e le lampade a sospensione Thula sono fondate su un elemento centrale semplice e architettonico con funzione illuminante a cui si aggiunge, in un sapiente gioco di addizione e sottrazione, una componente organica in legno o in pelle trapuntata. La fonte luminosa consiste in un LED lineare dimmerabile; nella versione base a parete può essere orientata, dando quindi luce diretta o indiretta.

Designed by Federica Biasi, the Thula appliques and suspension lamps are based on a simple and architectural central element with an illuminating function to which an organic component in wood or quilted leather is added in a skillful game of addition and subtraction. Consists of a linear dimmable LED; in the simple wall version it can be oriented, thus giving direct or indirect light.

# THULA

## 562.21 Pendant

Picture on page 94 of the catalogue

**Design:** Federica Biasi

**Description:** The Thula suspension lamps are based on a simple and architectural central element with an illuminating function to which an organic component in wood or quilted leather is added in a skilful game of addition and subtraction. Consists of a linear dimmable LED.

**Materials:** aluminum, metal, leather, wood

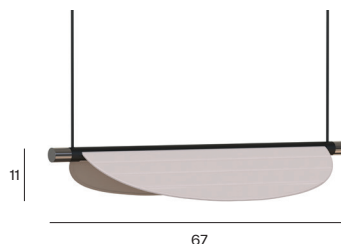
**Mounting:** Pendant: cable length 150 cm. Cable: 2 x 0,75 mm<sup>2</sup>. Canopies: 27 x 7,5 + Ø 6 cm included with bracket. Driver location: driver located in the canopy (dim.: H 2 x L 16 x W 4,5 cm).

**Nt. Wt.:** 1,6 kg

**Class:** Degree of protection IP40, insulation class 1.

**Note:** Driver located in the canopy  
Available in 110/120V  
DALI version on request

CE ⊕ IP40



code	source	lumens	dimmability	finishes	cable (cm)	dimensions (cm)	LED
562.21	LED 220/240V	1500 Lm	TRIAC	all color combos + wood	150	H 11 x L 67	11W 2700K
562.21	LED 220/240V	1500 Lm	TRIAC	all color combos + leather	150	H 11 x L 67	11W 2700K

### Hardware Details

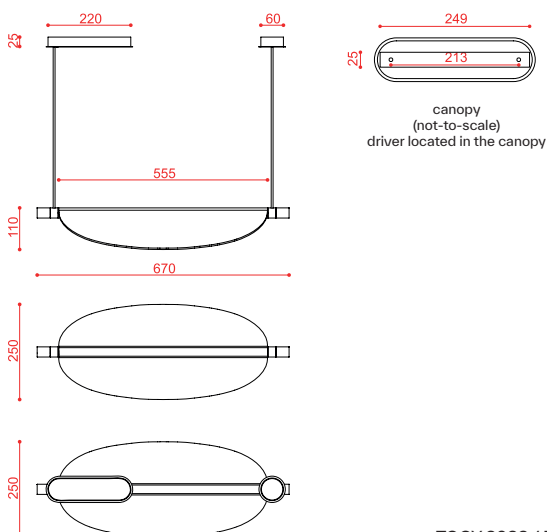


C22 Beige + C22 Beige  
C22 Beige + C68 Satin nickel  
C74 Sand black + C74 Sand black  
C74 Sand black + C68 Satin nickel

### Shade



L02 Beige leather  
W02 Canaletto walnut  
W03 Light oak



measurements in mm