

DATASHEET



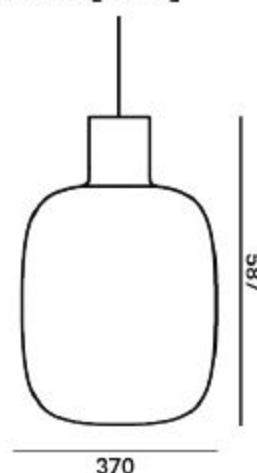
Name	Suspension lamp
Type	Awa
ID	PC1130
Description	A ball made from air wrapped in liquid is called "Awa" in Japanese. This design sprung from the idea of creating resembling soft glass that has retained its shape after being inflated.
Tech. description	The light comprises a metal body with wooden or metal cover, power cord, and glass diffuser suspended from three points. The light is attached to a ceiling canopy.



CONSTRUCTION SPECIFICATION

Weight [kg]	6.5 kg
Construction material	glass, wood, metal
Cord length [mm]	2,000 mm
Mounting	Ceiling
Environment	Indoor

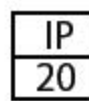
Dimensions [mm]



ELECTRICAL SPECIFICATION

Input voltage [V]	230 VDC
Frequency [Hz]	50-60 Hz
Max. power [W]	60 W
Coverage IP	20
Socket	E27
Light source	-
Energy class	A+ to E depending on light source

Certifications



DATASHEET

RECOMMENDED BULBS



SEGULA 50500

Socket	E27
Type	LED filament
Lamp wattage [W]	6 W
Input voltage [V]	220 - 240 VAC
Energy class	A
Flux[lm]	250 lm
Light Colour [K]	2,000 K
CRI	90+
Lifespan [h]	20,000h
Dimmable	yes
Dimensions h x w [mm]	146 x 64 mm



SEGULA 50154

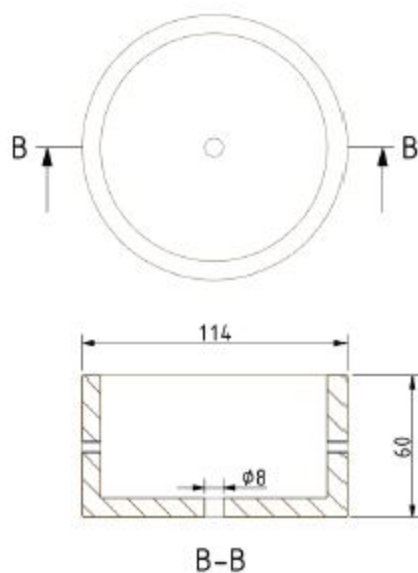
Socket	E27
Type	LED filament
Lamp wattage [W]	12 W
Input voltage [V]	220 - 240 VAC
Energy class	B
Flux[lm]	500 lm
Light Color [K]	2600 K
CRI	95
Life span [h]	15000h
Dimmable	yes
Dimensions h x v [mm]	140 x 100 mm

Ceiling Canopy

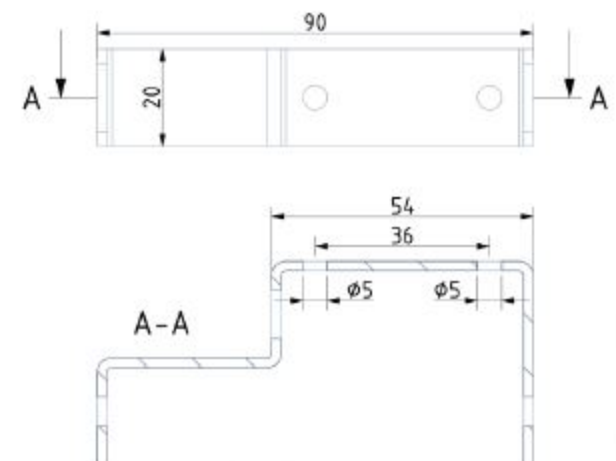
Dimensions \varnothing x w [mm]	114 x 60 mm
Weight [kg]	0.17 kg
Material	wood



Drawing



Canopy bracket



DATASHEET

RECOMMENDED BULBS



Ceiling Canopy

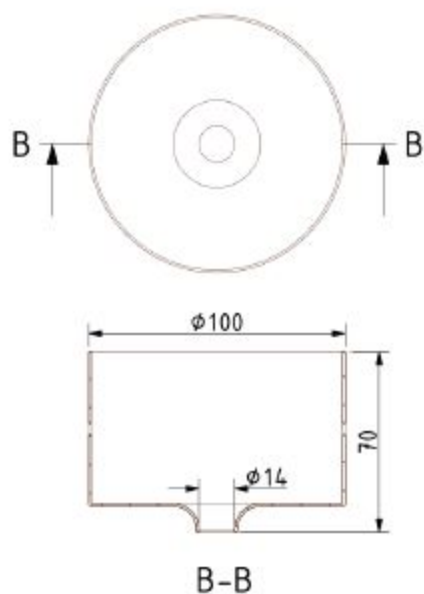
Dimensions $\varnothing \times w$ [mm] 100 x 70 mm

Weight [kg] 0.26 kg

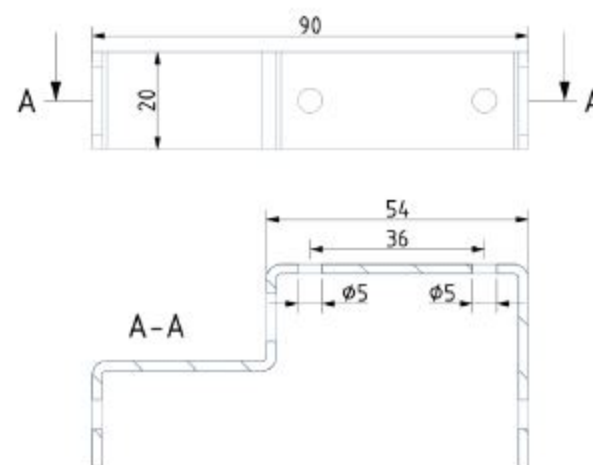
Material metal



Drawing



Canopy bracket



PRODUCT INFORMATION SHEET



Name AWA LARGE

Type pendent lamp

ID PC1130



Description In Japanese, the word 'awa' is used to describe a bubble of air trapped within a liquid. The design of this delicate light was inspired by the notion of soft glass that has retained its shape after being inflated. The aim is to give the impression of a luminous ball of air floating gently in space when viewed from below. Another special characteristic of the design is that the wood and metal parts appear to be made of glass, as if they were stoppers keeping the air from escaping. A recent addition to the collection is a new version featuring frosted glass in the top half of the light.

Technical description The craftsmanship applied in production follows in the centuries-old tradition and experience of master glassmakers. The precision crafting of hand-blown glass instills distinctive, enduring character and outstanding quality in all BROKIS products. The glass shades are formed from multiple layers of molten glass, each of which is scrutinized by the master glassmaker prior to being blown into the mold. Up to 70% of the resulting quality is achieved in this stage of production.

Glass Colour

transparent glass	A	CGC23
smoke grey - transparent glass	A	CGC516
smoke brown - transparent glass	A	CGC538

Glass surface

glossy surface	A	CGSU66
glossy - sandblasted (top part)	B	CGSU806

Body finish

copper	A	CCS584
silver anodized	A	CCS775
European oak - natural lacquer (wax)	A	CCS518
American walnut - natural waxed	A	CCS757

Canopy finish

copper	A	CCSC896
silver anodized	A	CCSC843
European oak - natural lacquer (wax)	A	CCSC841
American walnut - natural waxed	A	CCSC842
Trimless – cable version – white structure	A	CCSC2903
Trimless – cable version – black structure	A	CCSC2904

Cable colour

textile cable - black	A	CECL519
textile cable - light grey	A	CECL1918

Recommended Bulbs

230V, LED, E27, 12W, 2600K, 600lm, RA90, DIM - ART	A	CEB2832
230V, LED, E27, 6W, 2000K, 200-250lm, RA90, DIM - FILAMENT LED	A	CEB2671

Dimmable version

TRIAC - STANDARD OPTION	A	CEDV2865
CASAMBI CBU-TED	A	CEDV2855