

DATASHEET

Type: **BAMBOO FOREST**
Name: Pendant light
ID: PC1330
Designed by: Fumie Shibata Desing SS company



Download

Description

Bamboo Forest by Fumie Shibata draws inspiration from the vertical contours rising up in stands of bamboo. Conceived to evoke a unique atmospheric ambience, the handsculpted glass forms a bamboo stalk complete with the typical nodal ring, where the material thickens, creating a soft accent in the form of subtle shadows. With different types and varying positions of the node on the stalks, thanks to which the origins of the collection are at once recognizable, compositions of multiple lights transform the interior into a sanctuary replete with the soothing tranquillity of a natural bamboo forest. The lights also work well as solitary pieces. A diffuser with 90% transparency bends the light and creates a striking accent in the interior. The lights in the Bamboo Forest collection come in six different types and are available in either opaline or brown or light grey smoke glass. The innovative BROKIS connector enhances the overall variability of the lights by simplifying not only installation of large sets but also maintenance and cleaning. Furthermore, the connectors make it easy to rearrange the lights for a refreshing new lumiscape any time the mood strikes. Bamboo Forest is unique for the unusual shape of the lights as well as for the possibilities the collection offers in creating both original combinations and single-point accent lighting in interior spaces.



Tech. description

Colours options: https://brokis.sharepoint.com/:b:/s/brokis_sp/EdSUrWUTVCBDmjCITFs1XroB4mAC4BVzhcfr6ciZmUNWNg

CONSTRUCTION SPECIFICATION

Weight: 4.5 kg
Construction material: glass, metal
Cord length [mm]: 2,200 mm
Mounting: Ceiling
Environment: Indoor

DIMENSIONS [mm]



ELECTRICAL SPECIFICATION

Input voltage [V]: 100 - 240 V
Frequency [Hz]: 50-60 Hz
Max. power [W]: 7.5 W
Coverage IP: 20
Socket: LED module
Light source: -
Energy class: E

CERTIFICATIONS

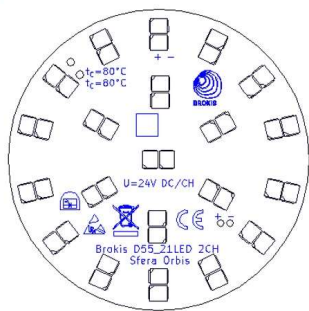


BROKIS®

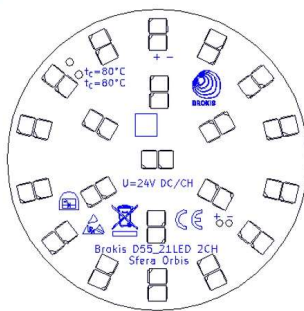
BROKIS S.R.O.
ŠPANILOVA 1315/25
163 00 PRAHA 6 - ŘEPY
CZECH REPUBLIC

ORG ID 64940799
VAT ID CZ64940799
C 42174 MĚSTSKÝ SOUD
V PRAZE

TEL +420 567 211 517
TECHNICAL@BROKIS.CZ
INFO@BROKIS.CZ
WWW.BROKIS.CZ



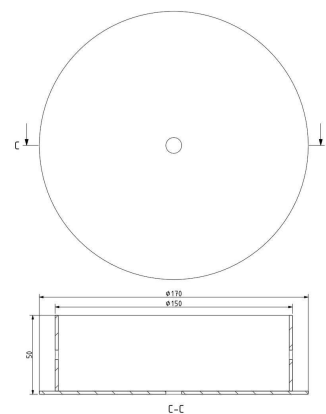
CM16714



CM15927

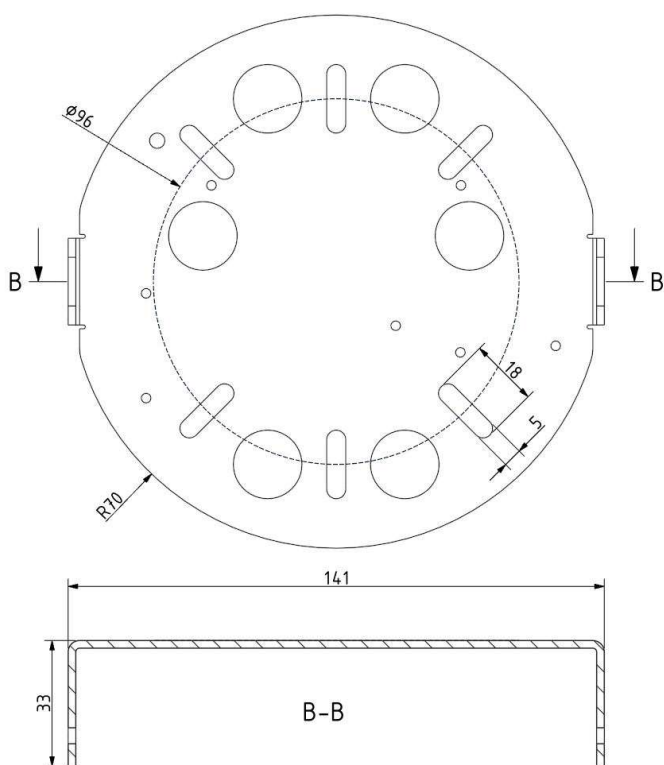


INNER FIXTURE



Drawing

Hole placement



PRODUCT INFORMATION SHEET



Name BAMBOO FOREST L UP

Type pendent lamp

ID PC1330



Description

Bamboo Forest by Fumie Shibata draws inspiration from the vertical contours rising up in stands of bamboo. Conceived to evoke a unique atmospheric ambience, the handsculpted glass forms a bamboo stalk complete with the typical nodal ring, where the material thickens, creating a soft accent in the form of subtle shadows. With different types and varying positions of the node on the stalks, thanks to which the origins of the collection are at once recognizable, compositions of multiple lights transform the interior into a sanctuary replete with the soothing tranquillity of a natural bamboo forest. The lights also work well as solitary pieces. A diffuser with 90% transparency bends the light and creates a striking accent in the interior. The lights in the Bamboo Forest collection come in six different types and are available in either opaline or brown or light grey smoke glass. The innovative BROKIS connector enhances the overall variability of the lights by simplifying not only installation of large sets but also maintenance and cleaning. Furthermore, the connectors make it easy to rearrange the lights for a refreshing new lumiscape any time the mood strikes. Bamboo Forest is unique for the unusual shape of the lights as well as for the possibilities the collection offers in creating both original combinations and single-point accent lighting in interior spaces.

Technical description

The technologies used in production are based on several centuries of tradition and artisanal evolution. The precision crafting of handblown glass instils distinctive, enduring character and outstanding quality in all BROKIS products. The glass shades are formed from multiple layers of molten glass, each of which is scrutinized by the master glassmaker prior to being blown into the mould. Up to 70% of the resulting quality is achieved in this stage of production. The Bamboo Forest collection is equipped with special connectors developed by BROKIS that allow easy changes to lighting compositions without the need to access building wiring or modify the interior. The collection is dimmable for fast and simple adjustments to the lighting ambience in a given space. Finally, an innovative solution called Tunable White lets users choose the colour temperature that best suits the mood of the moment.

Glass Colour

| | | |
|--------------------------------------|---|---------|
| light smoke grey - transparent glass | A | CGC2932 |
| smoke brown - transparent glass | A | CGC538 |
| opaline - transparent glass | A | CGC38 |

Glass surface

| | | |
|----------------|---|--------|
| glossy surface | A | CGSU66 |
|----------------|---|--------|

Body finish

| | | |
|----------------|---|---------|
| black anodized | A | CCS1948 |
|----------------|---|---------|

Canopy finish

| | | |
|---|---|----------|
| metal - black matte powder coating with structure | A | CCSC2674 |
| Trimless – cable version – black structure | A | CCSC2904 |

Connection method

| | | |
|----------------------|---|---------|
| BROKIS connector 24V | A | CCM1019 |
|----------------------|---|---------|

Cable colour

| | | |
|-----------------------|---|---------|
| textile cable - black | A | CECL519 |
|-----------------------|---|---------|

LED Source

| | | |
|---|---|----------|
| DIM, 24V, LED, 6.5W, 2700K, 735lm, RA90+ | A | LEDS2953 |
| DIM (TW), 24V, LED, 6.5W, 2700K-6500K, 735lm-789lm, RA90+ | A | LEDS2954 |

Dimmable version

| | | |
|--|---|----------|
| non-dimmable version | A | CEDV1457 |
| DIM RF system - remote control version | A | CEDV1461 |
| DIM PWM signal | A | CEDV1459 |
| DIM 1-10V | A | CEDV1460 |
| DIM DALI version | A | CEDV1458 |
| DIM AC phase-cut | A | CEDV1730 |
| DIM CASAMBI CBU-PWM4 | A | CEDV2854 |
| DIM (TW) CASAMBI CBU-PWM4 | A | CEDV2942 |
| DIM (TW) DALI version | A | CEDV2944 |