



Description

Bamboo Forest by Fumie Shibata draws inspiration from the vertical contours rising up in stands of bamboo. Conceived to evoke a unique atmospheric ambience, the handsculpted glass forms a bamboo stalk complete with the typical nodal ring, where the material thickens, creating a soft accent in the form of subtle shadows. With different types and varying positions of the node on the stalks, thanks to which the origins of the collection are at once recognizable, compositions of multiple lights transform the interior into a sanctuary replete with the soothing tranquillity of a natural bamboo forest. The lights also work well as solitary pieces. A diffuser with 90% transparency bends the light and creates a striking accent in the interior. The lights in the Bamboo Forest collection come in six different types and are available in either opaline or brown or light grey smoke glass. The innovative BROKIS connector enhances the overall variability of the lights by simplifying not only installation of large sets but also maintenance and cleaning. Furthermore, the connectors make it easy to rearrange the lights for a refreshing new lumiscape any time the mood strikes. Bamboo Forest is unique for the unusual shape of the lights as well as for the possibilities the collection offers in creating both original combinations and single-point accent lighting in interior spaces.



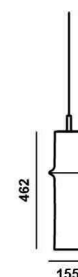
Tech. description

Colours options: https://brokis.sharepoint.com/:b:/s/brokis_sp/EW5B5yTkjYdJndplioQt7wcB02bA6j_Ejf4ANodPTdst_A

CONSTRUCTION SPECIFICATION

Weight:	3.5 kg
Construction material:	glass, metal
Cord length [mm]:	2,200 mm
Mounting:	Ceiling
Environment:	Indoor

DIMENSIONS [mm]

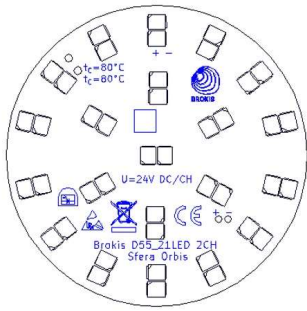


ELECTRICAL SPECIFICATION

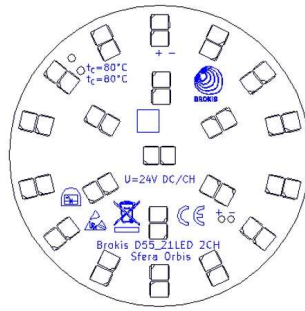
Input voltage [V]:	100 - 240 V
Frequency [Hz]:	50-60 Hz
Max. power [W]:	7.5 W
Coverage IP:	20
Socket:	LED module
Light source:	-
Energy class:	E

CERTIFICATIONS





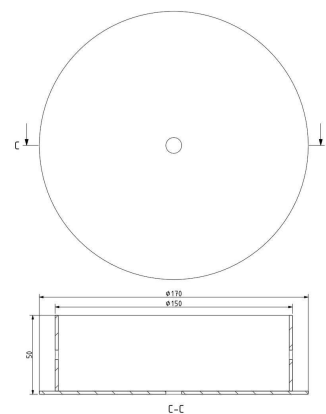
CM16714



CM15927

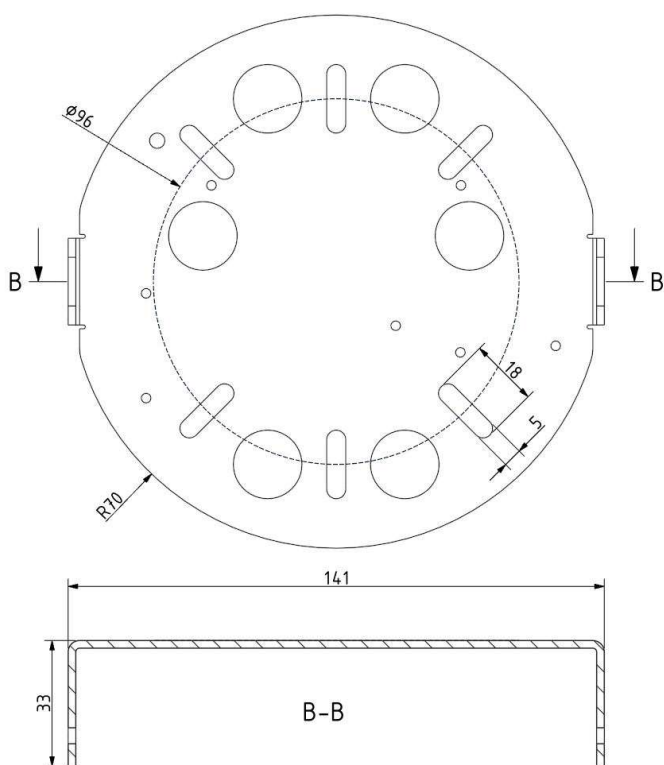


INNER FIXTURE



Drawing

Hole placement



PRODUCT INFORMATION SHEET



Name	BAMBOO FOREST M UP
Type	pendent lamp
ID	PC1328



Description

Bamboo Forest by Fumie Shibata draws inspiration from the vertical contours rising up in stands of bamboo. Conceived to evoke a unique atmospheric ambience, the handsculpted glass forms a bamboo stalk complete with the typical nodal ring, where the material thickens, creating a soft accent in the form of subtle shadows. With different types and varying positions of the node on the stalks, thanks to which the origins of the collection are at once recognizable, compositions of multiple lights transform the interior into a sanctuary replete with the soothing tranquillity of a natural bamboo forest. The lights also work well as solitary pieces. A diffuser with 90% transparency bends the light and creates a striking accent in the interior. The lights in the Bamboo Forest collection come in six different types and are available in either opaline or brown or light grey smoke glass. The innovative BROKIS connector enhances the overall variability of the lights by simplifying not only installation of large sets but also maintenance and cleaning. Furthermore, the connectors make it easy to rearrange the lights for a refreshing new lumiscape any time the mood strikes. Bamboo Forest is unique for the unusual shape of the lights as well as for the possibilities the collection offers in creating both original combinations and single-point accent lighting in interior spaces.

Technical description

The technologies used in production are based on several centuries of tradition and artisanal evolution. The precision crafting of handblown glass instils distinctive, enduring character and outstanding quality in all BROKIS products. The glass shades are formed from multiple layers of molten glass, each of which is scrutinized by the master glassmaker prior to being blown into the mould. Up to 70% of the resulting quality is achieved in this stage of production. The Bamboo Forest collection is equipped with special connectors developed by BROKIS that allow easy changes to lighting compositions without the need to access building wiring or modify the interior. The collection is dimmable for fast and simple adjustments to the lighting ambience in a given space. Finally, an innovative solution called Tunable White lets users choose the colour temperature that best suits the mood of the moment.

Glass Colour

light smoke grey - transparent glass	A	CGC2932
smoke brown - transparent glass	A	CGC538
opaline - transparent glass	A	CGC38

Glass surface

glossy surface	A	CGSU66
----------------	---	--------

Body finish

black anodized	A	CCS1948
----------------	---	---------

Canopy finish

metal - black matte powder coating with structure	A	CCSC2674
Trimless – cable version – black structure	A	CCSC2904

Connection method

BROKIS connector 24V	A	CCM1019
----------------------	---	---------

Cable colour

textile cable - black	A	CECL519
-----------------------	---	---------

LED Source

DIM, 24V, LED, 6.5W, 2700K, 735lm, RA90+	A	LEDS2953
DIM (TW), 24V, LED, 6.5W, 2700K-6500K, 735lm-789lm, RA90+	A	LEDS2954

Dimmable version

non-dimmable version	A	CEDV1457
DIM RF system - remote control version	A	CEDV1461
DIM PWM signal	A	CEDV1459
DIM 1-10V	A	CEDV1460
DIM DALI version	A	CEDV1458
DIM AC phase-cut	A	CEDV1730
DIM CASAMBI CBU-PWM4	A	CEDV2854
DIM (TW) CASAMBI CBU-PWM4	A	CEDV2942
DIM (TW) DALI version	A	CEDV2944