



Description

Capsula is a sophisticated light bearing resemblance to a plant cell or seed. The nucleus of the piece is a tubular triplex-glass LED light source that transects the inner shade and translucent external shell to form a notional axis.



Tech. description

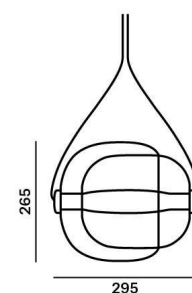
Capsula comprises three glass components. The light source is housed in a glass tube and uses special Brokis connectors in metal end caps. The end caps hold the light together even once the cords have been removed. The light is hung from a ceiling canopy, which also contains the electronics.

Colours options: https://brokis.sharepoint.com/:b:/s/brokis_sp/ET_EFZHu5iVCgnd-4mslkAcBc97JG1KY4QXsCa0zxA4iNA

CONSTRUCTION SPECIFICATION

Weight:	3.9 kg
Construction material:	glass, metal
Cord length [mm]:	2,200 mm
Mounting:	Ceiling
Environment:	Indoor

DIMENSIONS [mm]



ELECTRICAL SPECIFICATION

Input voltage [V]:	100 - 240 V
Frequency [Hz]:	50-60 Hz
Max. power [W]:	5 W
Coverage IP:	20
Socket:	LED module
Light source:	-
Energy class:	A+

CERTIFICATIONS





CP6423

Type	LED module
Lamp wattage [W]	5 W
Input voltage [V]	24 VDC
Energy class	A+
Flux [lm]	300 lm
Light colour [K]	2700 K
CRI	80+
Lifespan [h]	20000h
Dimmable	yes (PWM)



DATASHEET

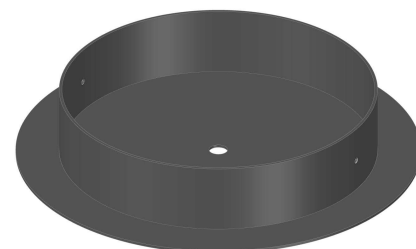
RECOMENDED CANOPY



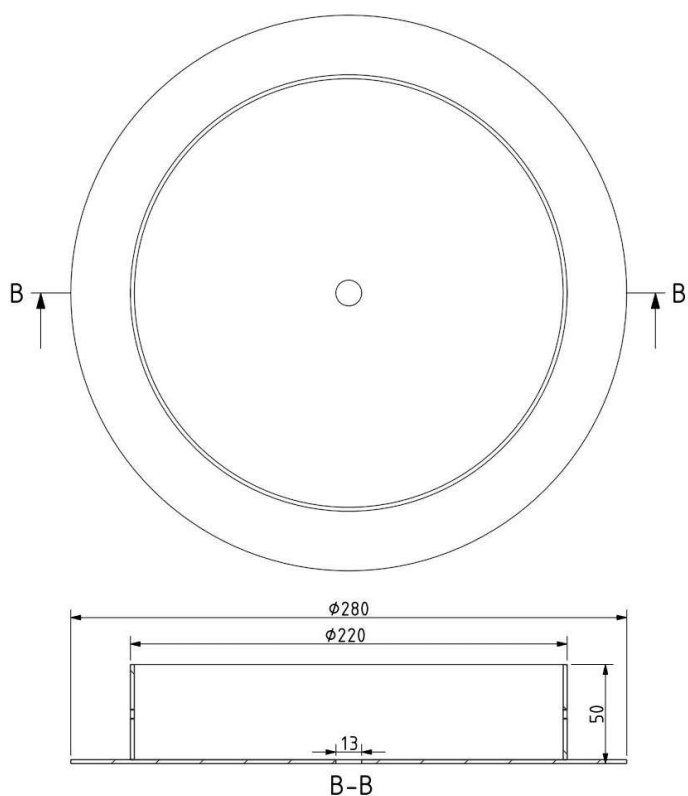
Download

CEILING CANOPY

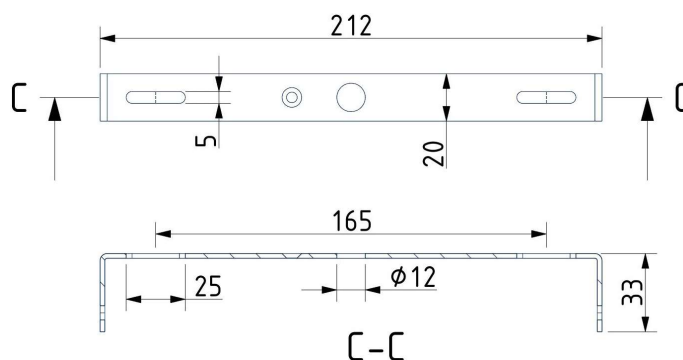
Dimensions $O \times w$ [mm]	280 x 50 mm
Weight [kg]	1.6 kg
Material	metal



Drawing



Canopy bracket



PRODUCT LIST



Name CAPSULA SINGLE

Type pendent lamp

ID PC937



Description

Capsula is a sophisticated and exhilarating light bearing resemblance to a plant cell or seed. The nucleus of the piece is a tubular triplex-glass LED light source, developed by Brokis, that transects the inner shade and translucent external shell to form a notional axis. The layering and overlapping of these three distinct components give rise to dramatic 3D optical effects. The end caps fasten the components together and serve as anchor points for the creative dual suspension straps, which also conceal the power cable and allow for variation in the final positioning of the light. The Capsula collection is offered in sets as well as individual lights that can be combined per customer requirements. From 2018, Capsula is fitted with special integrated connectors developed by Brokis to facilitate installation and cleaning.

Technical description

The craftsmanship applied in production follows in the centuries-old tradition and experience of master glassmakers. The precision crafting of hand-blown glass instills distinctive, enduring character and outstanding quality in all Brokis products. The glass shades are formed from multiple layers of molten glass, each of which is scrutinized by the master glassmaker prior to being blown into the mold. Up to 70% of the resulting quality is achieved in this stage of production. No less attention to detail is paid in handcrafting the wooden elements of the light. Each piece is individually processed by the artisan in a series of strictly observed production stages.

Glass Colour

transparent glass	A	CGC23
smoke grey - transparent glass	A	CGC516
opaline - transparent glass	A	CGC38
amber - transparent glass	A	CGC515
yellow - transparent glass	A	CGC659
violet - transparent glass	A	CGC554
red - transparent glass	A	CGC45
light blue - transparent glass	A	CGC544
orange - transparent glass	A	CGC157
pearl grey - opaline glass	A	CGC1916

Glass surface

glossy surface	A	CGSU66
acid-etched both side surface	A	CGSU881

Inner glass colour

transparent glass	A	CGCI682
smoke grey - transparent glass	A	CGCI685
opaline - transparent glass	A	CGCI749
amber - transparent glass	A	CGCI686
yellow - transparent glass	A	CGCI681
violet - transparent glass	A	CGCI683
red - transparent glass	A	CGCI913
light blue - transparent glass	A	CGCI912
orange - transparent glass	A	CGCI938
pearl grey - opaline glass	A	CGCI1914

Inner glass finish

acid-etched both side surface	ALL	CGSU905
glossy surface	ALL	CGSU906

Body finish

black anodized	A	CCS1948
silver anodized	A	CCS1917

Canopy finish

iron - black matte powder coating	A	CCSC619
iron - white matte powder coating	A	CCSC618

Connection method

BROKIS connector	A	CCM1019
------------------	---	---------

Cable colour

textile cable - black	A	CECL519
textile cable - light grey	A	CECL1918

LED Source

24V, LED, 5W, 2700K, 273lm, RA80+, DIM	A	LEDS1945
24V, LED, 5W, 4000K, 336lm, RA80+, DIM	A	LEDS1946
24V, LED, 5W, 5000K, 356lm, RA80+, DIM	A	LEDS1947

Dimmable version

non-dimmable version	A	CEDV1457
RF system - remote control version	A	CEDV1461
PWM signal	A	CEDV1459
1-10V	A	CEDV1460
DALI version	A	CEDV1458
AC phase-cut	A	CEDV1730