

# DATASHEET

Type: **CONVEX**  
Name: Pendant light  
ID: PC1351  
Designed by:



Download

## Description

The Convex collection experiments with BROKISGLASS and makes use of its specific properties and processing methods. Designed and manufactured in the form of a convex lens, it pushes the boundaries of function, visual representation, and shaping of this unique and vibrant material. Together with a minimalist, precisely crafted body, it creates an unobtrusive yet unconventional luminaire. The utilitarian design, which highlights the beauty and optical properties of the glass, is well suited to a broad range of applications in both residential and commercial spaces. The Convex collection comprises a pendant and a wall light, each available in two sizes, whereas the wall variant can also be mounted on the ceiling. Choose from clear triplex opal, or a combination of clear triplex opal and grey triplex opal, where the darker fragments gradually transition to lighter towards the centre of the glass.



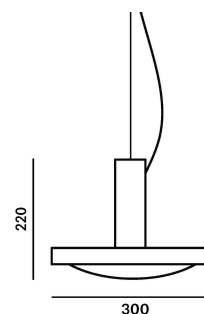
## Tech. description

The light comprises a milled dural body with integrated LED module and balancing system, a wire rope, a power cable, and a shade made of Brokisglass, which is attached to the body of the light via bayonet system. The light is hung on a steel cable extending from a metal ceiling canopy.

## CONSTRUCTION SPECIFICATION

**Weight:** 6 kg  
**Construction material:** glass, metal  
**Cord length [mm]:** 2.200 mm  
**Mounting:** Ceiling  
**Environment:** Indoor

## DIMENSIONS [mm]



## ELECTRICAL SPECIFICATION

**Input voltage [V]:** 100 - 240 V  
**Frequency [Hz]:** 50-60 Hz  
**Max. power [W]:** 47 W  
**Coverage IP:** 20  
**Socket:** -  
**Light source:** LED module  
**Energy class:** E

## CERTIFICATIONS



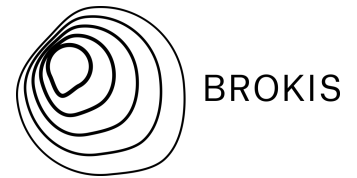
BROKIS S.R.O.  
ŠPANILOVA 1315/25  
163 00 PRAHA 6 - ŘEPY  
CZECH REPUBLIC

ORG ID 64940799  
VAT ID CZ64940799  
C 42174 MĚSTSKÝ SOUD  
V PRAZE

TEL +420 567 211 517  
TECHNICAL@BROKIS.CZ  
INFO@BROKIS.CZ  
WWW.BROKIS.CZ

2024\_03  
PAGE 1

# PRODUCT INFORMATION SHEET



**Name** CONVEX PENDANT S

**Type** pendent lamp

**ID** PC1351



## Description

The Convex collection experiments with BROKISGLASS and makes use of its specific properties and processing methods. Designed and manufactured in the form of a convex lens, it pushes the boundaries of function, visual representation, and shaping of this unique and vibrant material. Together with a minimalist, precisely crafted body, it creates an unobtrusive yet unconventional luminaire. The utilitarian design, which highlights the beauty and optical properties of the glass, is well suited to a broad range of applications in both residential and commercial spaces. The Convex collection comprises a pendant and a wall light, each available in two sizes, whereas the wall variant can also be mounted on the ceiling. Choose from clear triplex opal, or a combination of clear triplex opal and grey triplex opal, where the darker fragments gradually transition to lighter towards the centre of the glass.

## Technical description

### Glass Colour

triplex opal BROKISGLASS	A	CGC2676
triplex opal + grey triplex opal BROKISGLASS	B	CGC2995

### Glass surface

glossy finish (front face)	A	CGSU2736
acid-etched finish (front face)	A	CGSU2737

### Body finish

metal - black matte powder coating with structure	A	CCS2673
---	---	---------

### Canopy finish

metal - black matte powder coating with structure	A	CCSC2674
---	---	----------

### Cable colour

textile cable - black	A	CECL519
-----------------------	---	---------

### LED Source

DIM, 24V, LED, 43W, 2700K, 4630lm, RA90+	A	LEDS3023
DIM (TW), 24V, LED, 43W, 1800K-6500K, 3624-5843lm, RA90+	A	LEDS3024

### Dimmable version

non-dimmable version	A	CEDV1457
DIM RF system - remote control version	A	CEDV1461
DIM PWM signal	A	CEDV1459
DIM 1-10V	A	CEDV1460
DIM DALI version	A	CEDV1458
DIM AC phase-cut	A	CEDV1730
DIM CASAMBI CBU-PWM4	A	CEDV2854
DIM (TW) CASAMBI CBU-PWM4	A	CEDV2942
DIM (TW) DALI version	A	CEDV2944



### CM17913

<b>Type</b>	LED modul
<b>Příkon [W]</b>	40 W
<b>Vstupní napětí [V]</b>	24 VDC
<b>Energetická třída</b>	E
<b>Světelný tok [lm]</b>	4630 lm
<b>Barevná teplota [K]</b>	2700 K
<b>CRI</b>	90
<b>Stmívatelnost</b>	ano

### CM17774

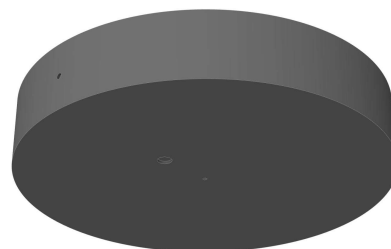
<b>Type</b>	LED module
<b>Lamp wattage [W]</b>	40 W
<b>Input voltage [V]</b>	24 VDC
<b>Energy class</b>	E
<b>Flux [lm]</b>	3624-5843 lm
<b>Light colour [K]</b>	1800-6500 K
<b>CRI</b>	90
<b>Dimmable</b>	yes



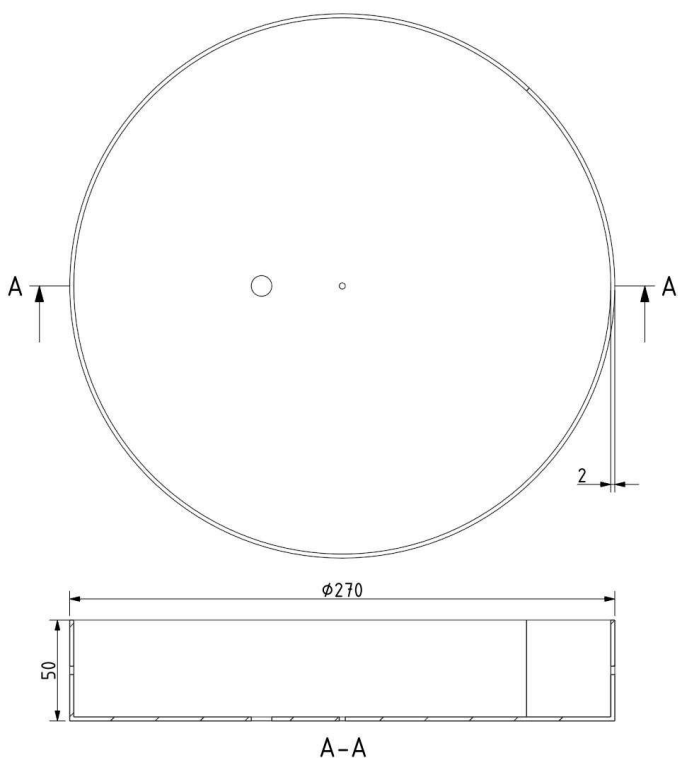


### INNER FIXTURE

Dimensions O x w [mm] 270 x 50 mm  
Weight [kg] 2.5 kg  
Material metal



### Drawing



### Hole placement

