

DATASHEET

Type: **DOME**
Name: Pendant light
ID: PC1347
Designed by: LCM MARIN design studio



Download

Description

A nod to classical Roman architecture, the new Dome collection of pendant and table lights follows the success of Dome Nomad, an earlier collection inspired by the great domes of Venice and evoking the eternity and expansiveness of the celestial vault. The elegant shade, comprising multiple layers of molten glass, each carefully inspected by the master glassmaker prior to blowing, comes in either smooth or wavy clear glass.



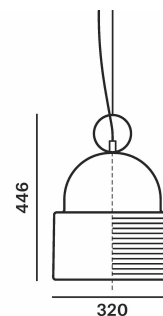
Tech. description

The luminaire consists of a glass shade, metal frame with integrated LED module, metal printout on the lower edge of the screen, supply cable and steel cable. The luminaire is suspended from the ceiling canopy by means of a supporting steel cable.

CONSTRUCTION SPECIFICATION

Weight: 6.8 kg
Construction material: glass, metal
Cord length [mm]: 2,200 mm
Mounting: Ceiling
Environment: Indoor

DIMENSIONS [mm]



ELECTRICAL SPECIFICATION

Input voltage [V]: 100 - 240 V
Frequency [Hz]: 50-60 Hz
Max. power [W]: 17,5 W
Coverage IP: 20
Socket: LED module
Light source: -
Energy class: E

CERTIFICATIONS



BROKIS®

BROKIS S.R.O.
ŠPANILOVA 1315/25
163 00 PRAHA 6 - ŘEPY
CZECH REPUBLIC

ORG ID 64940799
VAT ID CZ64940799
C 42174 MĚSTSKÝ SOUD
V PRAZE

TEL +420 567 211 517
TECHNICAL@BROKIS.CZ
INFO@BROKIS.CZ
WWW.BROKIS.CZ

2024_03
PAGE 1

PRODUCT INFORMATION SHEET



Name DOME PENDANT MEDIUM

Type pendent lamp

ID PC1347



Description A nod to classical Roman architecture, the new Dome collection of pendant and table lights follows the success of Dome Nomad, an earlier collection inspired by the great domes of Venice and evoking the eternity and expansiveness of the celestial vault. The elegant shade, comprising multiple layers of molten glass, each carefully inspected by the master glassmaker prior to blowing, comes in either smooth or wavy clear glass. The gentle illumination is cast forth from a modern LED source concealed beneath an opal diffuser. The table lights are a reference to Dome Nomad and represent an elegant interior element. The pendants, with the levity of their delicate arches, are ideal above dining tables, either in multi-light compositions, or as a solitary piece. Dome delivers a unique and charming design experience in both residential and commercial spaces.

Technical description

Glass Colour

transparent glass	A	CGC23
smoke grey - transparent glass	A	CGC516
smoke brown - transparent glass	A	CGC538
opaline - transparent glass	A	CGC38
triplex opal	A	CGC39

Glass surface

glossy surface	A	CGSU66
----------------	---	--------

Ornaments

Without ornaments	A	CGO2988
Lines	B	CGO2989

Body finish

metal - white matte powder coating with structure	A	CCS2809
metal - black matte powder coating with structure	A	CCS2673
brushed stainless steel	A	CCS68
brushed bronze lacquer	A	CCS3002
brushed champagne lacquer	A	CCS3000
brushed copper lacquer	A	CCS3006
brushed rose gold lacquer	A	CCS2998

Canopy finish

metal - white matte powder coating with structure	A	CCSC2810
metal - black matte powder coating with structure	A	CCSC2674
brushed stainless steel	A	CCSC974
brushed bronze lacquer	A	CCSC3003
brushed champagne lacquer	A	CCSC3001
brushed copper lacquer	A	CCSC3007
brushed rose gold lacquer	A	CCSC2999

Cable colour

textile cable - black	A	CECL519
textile cable - white	A	CECL521
textile cable - light grey	A	CECL1918

LED Source

DIM, 24V, LED, 15W, 2700K, 1617lm, RA90+	A	LEDS3019
DIM (TW), 24V, LED, 15W, 1800K-6500K, 1099-1782lm, RA90+	A	LEDS3020

Dimmable version

non-dimmable version	A	CEDV1457
DIM RF system - remote control version	A	CEDV1461
DIM PWM signal	A	CEDV1459
DIM 1-10V	A	CEDV1460
DIM DALI version	A	CEDV1458
DIM AC phase-cut	A	CEDV1730
DIM CASAMBI CBU-PWM4	A	CEDV2854
DIM (TW) CASAMBI CBU-PWM4	A	CEDV2942
DIM (TW) DALI version	A	CEDV2944



CM17866

Type	LED module
Lamp wattage [W]	15 W
Input voltage [V]	24 VDC
Energy class	E
Flux [lm]	1617 lm
Light colour [K]	2700 K
CRI	90
Dimmable	yes

CM17914

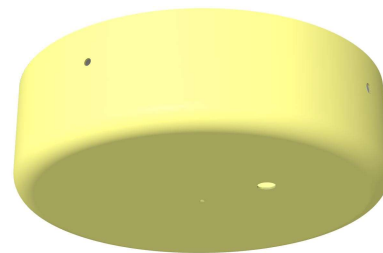
Type	LED module
Lamp wattage [W]	15 W
Input voltage [V]	24 VDC
Energy class	E
Flux [lm]	1099-1782 lm
Light colour [K]	1800-6500 K
CRI	90
Dimmable	yes



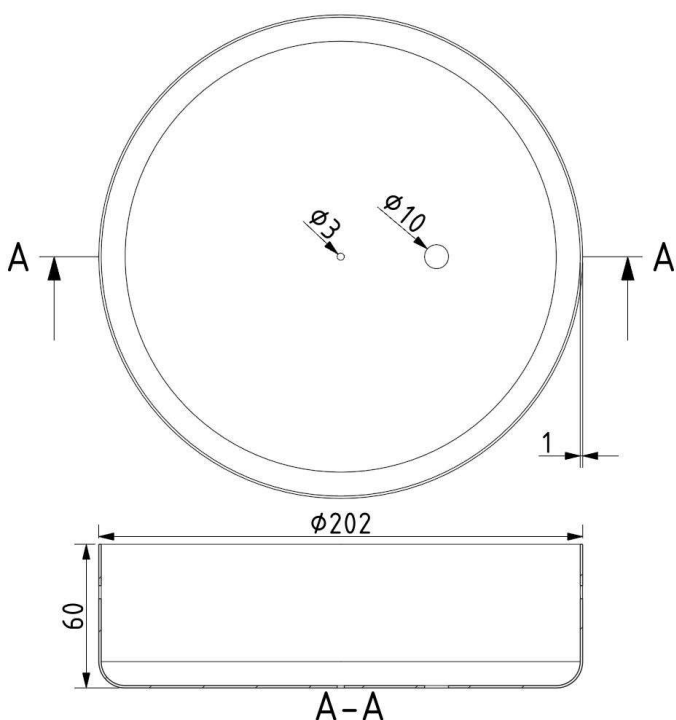


INNER FIXTURE

Dimensions O x w [mm] 202 x 60 mm
Weight [kg] 1.15 kg
Material metal



Drawing



Hole placement

