



Description

As the name implies, the simple yet elegant conical shape is reminiscent of a flute. Taking the same inspiration, the stylized openings serve a practical purpose by allowing the light to be directed at various angles depending on which opening the cable is passed through.



Tech. description The light comprises a glass shade and metal body with E27 socket and power cord.

The light is hung from a ceiling canopy.

Colours options: https://brokis.sharepoint.com/:b:/s/brokis_sp/EUhlu7-PoatMk04zgwjNThgBm3uK_sIJwN2Niav4Y8yMHg

CONSTRUCTION SPECIFICATION

Weight:	1.7 kg
Construction material:	glass, metal
Cord length [mm]:	2,000 mm
Mounting:	Ceiling
Environment:	Indoor

DIMENSIONS [mm]



ELECTRICAL SPECIFICATION

Input voltage [V]:	230 V
Frequency [Hz]:	50-60 Hz
Max. power [W]:	15 W
Coverage IP:	20
Socket:	E27
Light source:	-
Energy class:	A+ to B depending on light source

CERTIFICATIONS





CM1642

Socket	E27
Type	LED
Lamp wattage [W]	13 W
Input voltage [V]	220 - 240 VAC
Energy class	A+
Flux [lm]	700 lm
Light colour [K]	2700 K
CRI	90+
Lifespan [h]	25000h
Dimmable	yes
Dimensions h x w [mm]	95 x 63 mm

DATASHEET

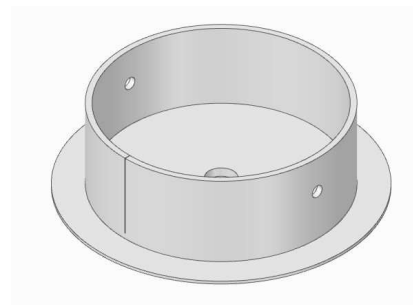
RECOMENDED CANOPY



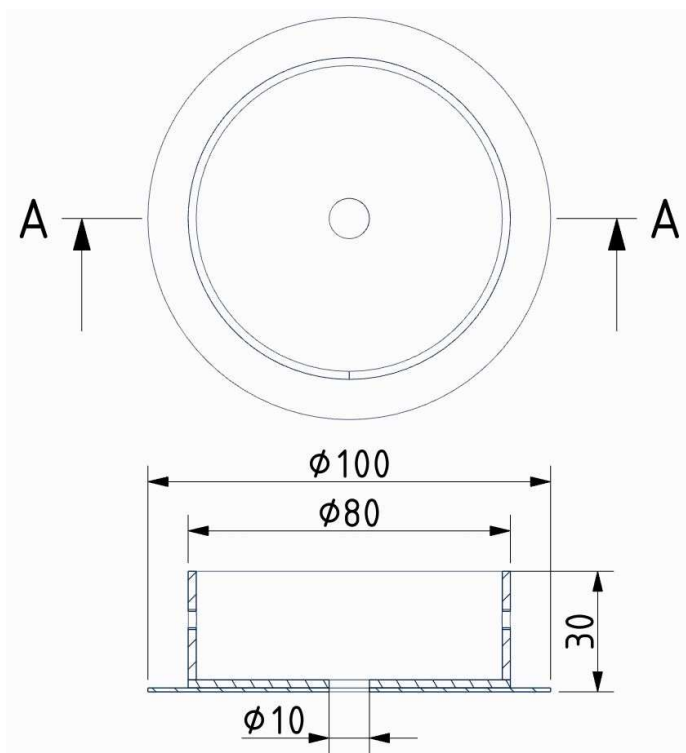
Download

CEILING CANOPY

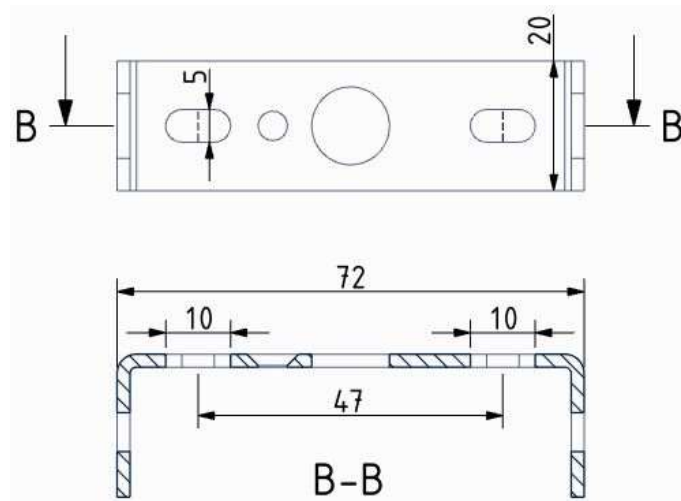
Dimensions $O \times w$ [mm]	100 x 30 mm
Weight [kg]	0,25 kg
Material	metal



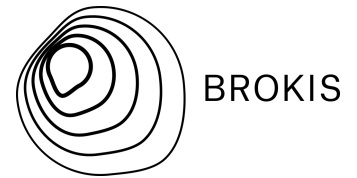
Drawing



Canopy bracket



PRODUCT LIST



Name FLUTES 15°

Type pendent lamp

ID PC977



Description Flutes were initially designed as a collection of suspension lights for the interior spaces of a hotel. Their potential and utility value, however, far exceed the demands of the original project. As the name implies, the simple yet elegant conical shape is reminiscent of a flute. Taking the same inspiration, the stylized openings serve a practical purpose by allowing the light to be directed at various angles depending on which opening the cable is passed through. This provides numerous possibilities for combining the lights in intriguing compositions. Flutes are available in several colours. The collection comprises three lights, each with a different degree of bevel on the open end of the shade.

Technical description The craftsmanship applied in production follows in the centuries-old tradition and experience of master glassmakers. The precision crafting of hand-blown glass instills distinctive, enduring character and outstanding quality in all Brokis products. The glass shades are formed from multiple layers of molten glass, each of which is scrutinized by the master glassmaker prior to being blown into the mold. Up to 70% of the resulting quality is achieved in this stage of production. The metal reflector is manufactured through a unique metal stamping technique that has been proven over the course of millennia and involves spinning cold sheet metal on a rotating form. The history of this technology goes back to Celtic times. As with the glassmakers, the master metalworkers draw upon the tradition and experience that have been carefully passed down through the ages and give the final product exceptional added value.

Glass Colour

smoke grey - transparent glass	A	CGC516
opaline - transparent glass	A	CGC38
orange - transparent glass	A	CGC157

Glass surface

glossy surface	ALL	CGSU66
----------------	-----	--------

Body finish

iron - black matte powder coating	A	CCS846
iron - white matte powder coating	A	CCS845
iron - orange matte powder coating	A	CCS615

Canopy finish

iron - black matte powder coating	A	CCSC619
iron - white matte powder coating	A	CCSC618
iron - orange matte powder coating	A	CCSC844

Cable colour

textile cable - black	A	CECL519
textile cable - white	A	CECL521
textile cable - dark grey	A	CECL520
textile cable - light grey	A	CECL1918
textile cable - orange	A	CECL801

Recommended Bulbs

230V, E27, 13W, 2700K, 700lm, RA90, 60°, DIM	A	CEB621
--	---	--------