

DATASHEET

Type: **GEOMETRIC**
Name: Pendent light
ID: PC1142
Designed by: Boris Klimek & Lenka Dámová



Download

Description

Geometric accentuates the aesthetic expression and structure of BROKISGLASS, which itself is remarkably distinctive. The collection is defined by basic geometric shapes that characterize the overall contours of the lights and instil them with a singular graphic element to achieve a striking contrast with the animate, almost sculptural makeup of the glass.



Tech. description

The light comprises a metal frame encased from both sides in BROKISGLASS, while internal LED 24VDC modules with optical elements scatter light evenly across the glass. The light is hung on two steel wires extending from a ceiling canopy, which also houses the electronics.

Colours options: https://brokis.sharepoint.com/:b/s/brokis_sp/EZeUW5BX-Z9Jouyciqbc-1sBaLtkelvsGUYn1iWI8KLbRQ

CONSTRUCTION SPECIFICATION

Weight: 7 kg
Construction material: glass, metal
Cord length [mm]: 2.200 mm
Mounting: Ceiling
Environment: Indoor

DIMENSIONS [mm]



Ø 400

ELECTRICAL SPECIFICATION

Input voltage [V]: 100 - 240 V
Frequency [Hz]: 50-60 Hz
Max. power [W]: 20 W
Coverage IP: 20
Socket: -
Light source: LED module
Energy class: A+

CERTIFICATIONS



BROKIS®

BROKIS S.R.O.
ŠPANILOVA 1315/25
163 00 PRAHA 6 - ŘEPY
CZECH REPUBLIC

ORG ID 64940799
VAT ID CZ64940799
C 42174 MĚSTSKÝ SOUD
V PRAZE

TEL +420 567 211 517
TECHNICAL@BROKIS.CZ
INFO@BROKIS.CZ
WWW.BROKIS.CZ

2020_08

PAGE 1



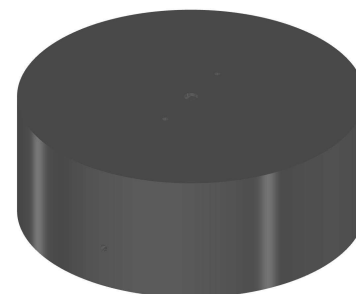
CM11919 Geometric LED modul pulkrüh 2700K

Type	LED module
Lamp wattage [W]	10 W
Input voltage [V]	24 VDC
Energy class	A+
Flux [lm]	1250 lm
Light colour [K]	2700 K
CRI	90+
Lifespan [h]	20000h
Dimmable	yes (PWM)

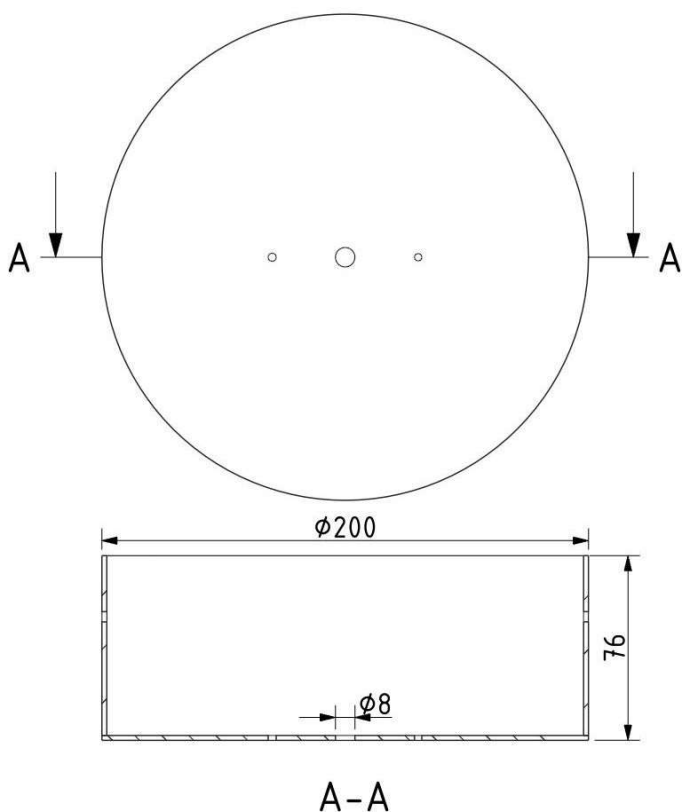


INNER FIXTURE

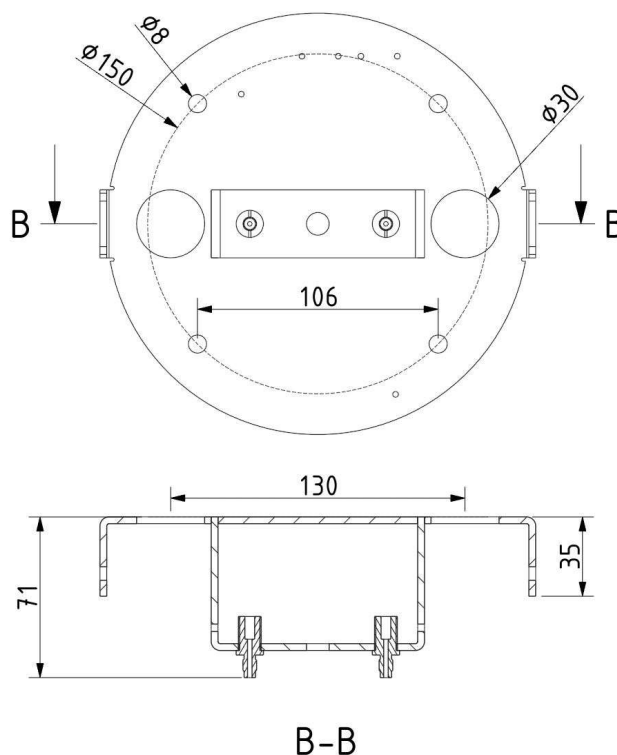
Dimensions O x w [mm] 200 x 76 mm
Weight [kg] 2,6 kg
Material metal



Drawing



Hole placement



PRODUCT INFORMATION SHEET



Name GEOMETRIC CIRCLE 1/2 BOTTOM

Type pendent lamp

ID PC1142



Description

Geometric accentuates the aesthetic expression and structure of BROKISGLASS, which itself is remarkably distinctive. The collection is defined by basic geometric shapes that characterize the overall contours of the lights and instill them with a singular graphic element to achieve a striking contrast with the animate, almost sculptural makeup of the glass. The suspension components comprise glass geometric shapes, their edges rendered in black profiles. The circular and oval lights work well as solitary pieces, and multiples can also be arranged in a sort of jigsaw puzzle, which in the hands of architects results in an endless variety of lighting combinations. The concept surpasses its primary function as a lighting fixture and opens the door to large-format blocks of light and other uncommon compositions. For even more expressive freedom and a truly bespoke lighting experience, clients can specify a different colour of glass in each of the two sections of a light. Resting against a sturdy cylindrical base, the Geometric Table elicits a subtle aesthetic tension that amplifies the overall visual experience. The Geometric collection has received a technological upgrade in the form of precision-milled dural for the metal profiles.

Technical description

The technologies applied in the Geometric collection are based on the principles of recycling, sustainability, and eco-friendly production. The base material used in making the lights is the waste glass generated in the production of other Brokis collections. The recycled glass material is subjected to several stages of processing, combining traditional glassmaking techniques (hand grinding, sandblasting) with modern ones (melt moulding, waterjet cutting, mould shaping) and resulting in a unique product that embodies both tradition and modernity. Each piece is an unrepeatable original with its own story. Flawless scattering of light is provided by an LED panel with optical lenses. The glass components can be easily changed for other colour variations. The TIG welded metal frame is crafted by hand with the same degree of precision as the rest of the light.

Glass Colour

triplex opal BROKISGLASS	A	CGC2676
smoke grey BROKISGLASS	A	CGC2677
smoke brown BROKISGLASS	A	CGC2720
yellow - triplex opal BROKISGLASS	A	CGC2722
light pink - triplex opal BROKISGLASS	A	CGC2723
orange - triplex opal BROKISGLASS	A	CGC2724
red - triplex opal BROKISGLASS	A	CGC2725
light blue - triplex opal BROKISGLASS	A	CGC2726
turquoise - triplex opal BROKISGLASS	A	CGC2727
dark green - triplex opal BROKISGLASS	A	CGC2804
green apple - triplex opal BROKISGLASS	A	CGC2728
amber - triplex opal BROKISGLASS	A	CGC2730
cognac - triplex opal BROKISGLASS	A	CGC2731
grey - triplex opal BROKISGLASS	A	CGC2747

Glass surface

glossy finish (front face)	A	CGSU2736
acid-etched finish (front face)	A	CGSU2737

Body finish

metal - black matte powder coating with structure	A	CCS2673
---	---	---------

Canopy finish

metal - black matte powder coating with structure	A	CCSC2674
---	---	----------

Cable colour

textile cable - black	A	CECL519
-----------------------	---	---------

LED Source

24V, LED, 20W, 2700K, 2300lm, RA90+, DIM	A	LEDS2781
DIM (TW), 24V, LED, 20W, 2700K-6500K, RA90+	A	LEDS2967

Dimmable version

DIM RF system - remote control version	A	CEDV1461
DIM PWM signal	A	CEDV1459
DIM 1-10V	A	CEDV1460
DIM DALI version	A	CEDV1458
DIM CASAMBI CBU-PWM4	A	CEDV2854
DIM (TW) CASAMBI CBU-PWM4	A	CEDV2942
DIM (TW) DALI version	A	CEDV2944