

# DATASHEET

Type: **GEOMETRIC**  
Name: Pendant light  
ID: PC1146  
Designed by: Boris Klimek & Lenka Dámová



Download

## Description

Geometric accentuates the aesthetic expression and structure of BROKISGLASS, which itself is remarkably distinctive. The collection is defined by basic geometric shapes that characterize the overall contours of the lights and instil them with a singular graphic element to achieve a striking contrast with the animate, almost sculptural makeup of the glass.



## Tech. description

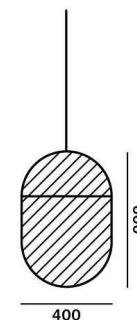
The light comprises a metal frame encased from both sides in BROKISGLASS, while internal LED 24VDC modules with optical elements scatter light evenly across the glass. The light is hung on two steel wires extending from a ceiling canopy, which also houses the electronics.

Colours options: [https://brokis.sharepoint.com/:b:/s/brokis\\_sp/EduroZZw2sFKsOndOUIMtPkB49DPdAQrhDJVILHRZKAiPw](https://brokis.sharepoint.com/:b:/s/brokis_sp/EduroZZw2sFKsOndOUIMtPkB49DPdAQrhDJVILHRZKAiPw)

## CONSTRUCTION SPECIFICATION

**Weight:** 17 kg  
**Construction material:** glass, metal  
**Cord length [mm]:** 2.200 mm  
**Mounting:** Ceiling  
**Environment:** Indoor

## DIMENSIONS [mm]



## ELECTRICAL SPECIFICATION

**Input voltage [V]:** 100 - 240 V  
**Frequency [Hz]:** 50-60 Hz  
**Max. power [W]:** 70 W  
**Coverage IP:** 20  
**Socket:** -  
**Light source:** LED module  
**Energy class:** A+

## CERTIFICATIONS



BROKIS S.R.O.  
ŠPANILOVA 1315/25  
163 00 PRAHA 6 - ŘEPY  
CZECH REPUBLIC

ORG ID 64940799  
VAT ID CZ64940799  
C 42174 MĚSTSKÝ SOUD  
V PRAZE

TEL +420 567 211 517  
TECHNICAL@BROKIS.CZ  
INFO@BROKIS.CZ  
WWW.BROKIS.CZ

2020\_08  
PAGE 1



**CM11919 Geometric LED modul pulkruh 2700K**

<b>Type</b>	LED module
<b>Lamp wattage [W]</b>	10 W
<b>Input voltage [V]</b>	24 VDC
<b>Energy class</b>	A+
<b>Flux [lm]</b>	1250 lm
<b>Light colour [K]</b>	2700 K
<b>CRI</b>	90+
<b>Lifespan [h]</b>	20000h
<b>Dimmable</b>	yes (PWM)



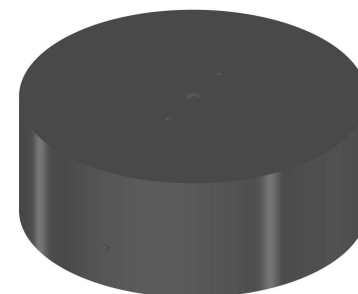
**CM11918 Geometric LED modul oval 2700K**

<b>Type</b>	LED module
<b>Lamp wattage [W]</b>	20 W
<b>Input voltage [V]</b>	24 VDC
<b>Energy class</b>	A+
<b>Flux [lm]</b>	2500 lm
<b>Light colour [K]</b>	2700 K
<b>CRI</b>	90+
<b>Lifespan [h]</b>	20000h
<b>Dimmable</b>	yes (PWM)

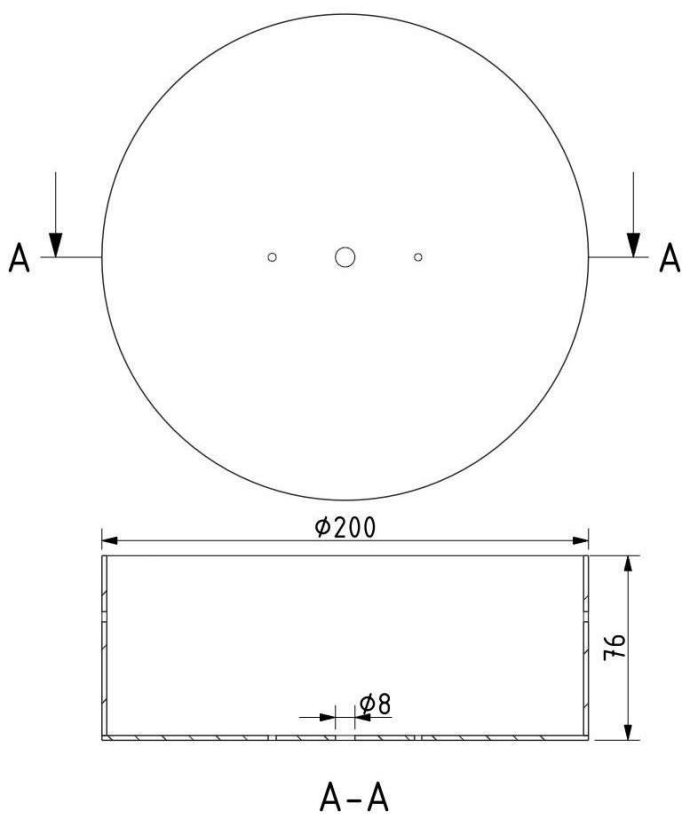


### INNER FIXTURE

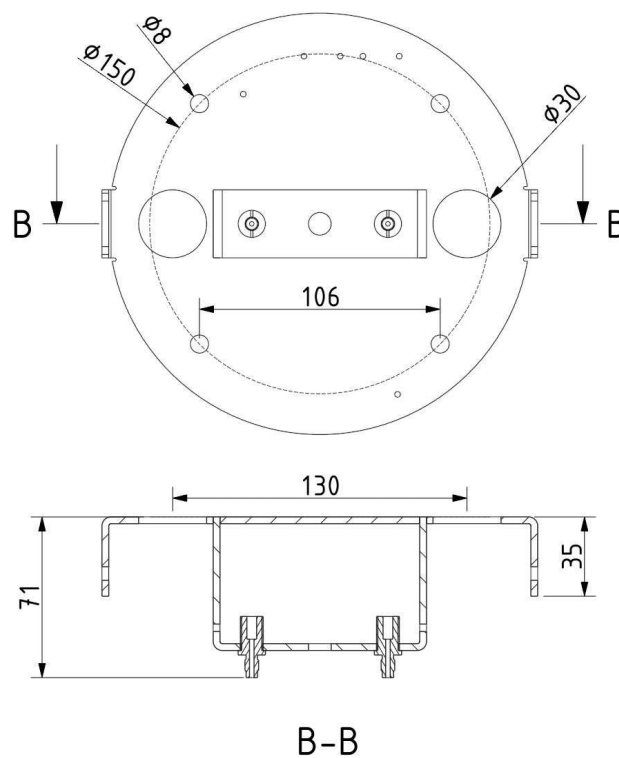
Dimensions O x w [mm] 200 x 76 mm  
Weight [kg] 2,6 kg  
Material metal



### Drawing



### Hole placement



# PRODUCT INFORMATION SHEET



**Name** GEOMETRIC OVAL FULL TOP

**Type** pendent lamp

**ID** PC1146



**Description** Geometric accentuates the aesthetic expression and structure of BROKISGLASS, which itself is remarkably distinctive. The collection is defined by basic geometric shapes that characterize the overall contours of the lights and instill them with a singular graphic element to achieve a striking contrast with the animate, almost sculptural makeup of the glass. The suspension components comprise glass geometric shapes, their edges rendered in black profiles. The circular and oval lights work well as solitary pieces, and multiples can also be arranged in a sort of jigsaw puzzle, which in the hands of architects results in an endless variety of lighting combinations. The concept surpasses its primary function as a lighting fixture and opens the door to large-format blocks of light and other uncommon compositions. For even more expressive freedom and a truly bespoke lighting experience, clients can specify a different colour of glass in each of the two sections of a light. Resting against a sturdy cylindrical base, the Geometric Table elicits a subtle aesthetic tension that amplifies the overall visual experience. The Geometric collection has received a technological upgrade in the form of precision-milled dural for the metal profiles.

**Technical description** The technologies applied in the Geometric collection are based on the principles of recycling, sustainability, and eco-friendly production. The base material used in making the lights is the waste glass generated in the production of other Brokis collections. The recycled glass material is subjected to several stages of processing, combining traditional glassmaking techniques (hand grinding, sandblasting) with modern ones (melt moulding, waterjet cutting, mould shaping) and resulting in a unique product that embodies both tradition and modernity. Each piece is an unrepeatable original with its own story. Flawless scattering of light is provided by an LED panel with optical lenses. The glass components can be easily changed for other colour variations. The TIG welded metal frame is crafted by hand with the same degree of precision as the rest of the light.

## **Glass Colour**

triplex opal BROKISGLASS	A	CGC2676
smoke grey BROKISGLASS	A	CGC2677
smoke brown BROKISGLASS	A	CGC2720
yellow - triplex opal BROKISGLASS	A	CGC2722
light pink - triplex opal BROKISGLASS	A	CGC2723
orange - triplex opal BROKISGLASS	A	CGC2724
red - triplex opal BROKISGLASS	A	CGC2725
light blue - triplex opal BROKISGLASS	A	CGC2726
turquoise - triplex opal BROKISGLASS	A	CGC2727
dark green - triplex opal BROKISGLASS	A	CGC2804
green apple - triplex opal BROKISGLASS	A	CGC2728
amber - triplex opal BROKISGLASS	A	CGC2730
cognac - triplex opal BROKISGLASS	A	CGC2731
grey - triplex opal BROKISGLASS	A	CGC2747

### **Bottom glass colour**

triplex opal BROKISGLASS	A	CGGB2768
smoke grey - BROKISGLASS	A	CGGB2799
smoke brown BROKISGLASS	A	CGGB2792
yellow - triplex opal BROKISGLASS	A	CGGB2797
light pink - triplex opal BROKISGLASS	A	CGGB2769
orange - triplex opal BROKISGLASS	A	CGGB2798
red - triplex opal BROKISGLASS	A	CGGB2793
light blue - triplex opal BROKISGLASS	A	CGGB2795
turquoise - triplex opal BROKISGLASS	A	CGGB2794
dark green - triplex opal BROKISGLASS	A	CGGB2805
green apple - triplex opal BROKISGLASS	A	CGGB2803
amber - triplex opal BROKISGLASS	A	CGGB2800
cognac - triplex opal BROKISGLASS	A	CGGB2802
grey - triplex opal BROKISGLASS	A	CGGB2770

### **Glass surface**

glossy finish (front face)	A	CGSU2736
acid-etched finish (front face)	A	CGSU2737

### **Body finish**

metal - black matte powder coating with structure	A	CCS2673
---	---	---------

### **Canopy finish**

metal - black matte powder coating with structure	A	CCSC2674
---	---	----------

### **Cable colour**

textile cable - black	A	CECL519
-----------------------	---	---------

### **LED Source**

24V, LED, 50W, 2700K, 7900lm, RA90+, DIM	A	LEDS2787
DIM (TW), 24V, LED, 50W, 2700K-6500K, RA90+	A	LEDS2968

### **Dimmable version**

DIM RF system - remote control version	A	CEDV1461
DIM PWM signal	A	CEDV1459
DIM 1-10V	A	CEDV1460
DIM DALI version	A	CEDV1458
DIM CASAMBI CBU-PWM4	A	CEDV2854
DIM (TW) CASAMBI CBU-PWM4	A	CEDV2942
DIM (TW) DALI version	A	CEDV2944