



Description

Nature and its life-giving beauty and strength serve as the model for a unique lighting concept called IVY. Just as the plant grows and climbs up the walls of a house, creating multiple images.



Tech. description

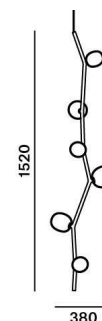
The main body of the light comprises a dural frame and glass shades fitted with G4 sockets. The frame is connected to the power cable by means of an integrated Brokis connector. The power cable is hung from the ceiling canopy, which also houses the electronics.

Colours options: https://brokis.sharepoint.com/:b:/s/brokis_sp/EVFlnMrPhNBHv8umHh-LBe8BDGrho_qSuyIbbSoCdGxVw

CONSTRUCTION SPECIFICATION

| | |
|-------------------------------|--------------|
| Weight: | 3.7 kg |
| Construction material: | glass, metal |
| Cord length [mm]: | 2,000 mm |
| Mounting: | Ceiling |
| Environment: | Indoor |

DIMENSIONS [mm]



ELECTRICAL SPECIFICATION

| | |
|---------------------------|-----------------------------------|
| Input voltage [V]: | 100 - 240 V |
| Frequency [Hz]: | 50-60 Hz |
| Max. power [W]: | 6 x 2 W LED |
| Coverage IP: | 20 |
| Socket: | G4, 12V |
| Light source: | - |
| Energy class: | A+ to B depending on light source |

CERTIFICATIONS





CM6200

| | |
|------------------------------|--------------|
| Socket | G4 |
| Type | LED |
| Lamp wattage [W] | 1.2 W |
| Input voltage [V] | 12 VDC |
| Energy class | A+ |
| Flux [lm] | 91 lm |
| Light colour [K] | 2700 K |
| CRI | 90+ |
| Lifespan [h] | 20000h |
| Dimmable | yes |
| Dimensions h x w [mm] | 10 x 28,4 mm |



DATASHEET

RECOMENDED CANOPY



Download

CEILING CANOPY

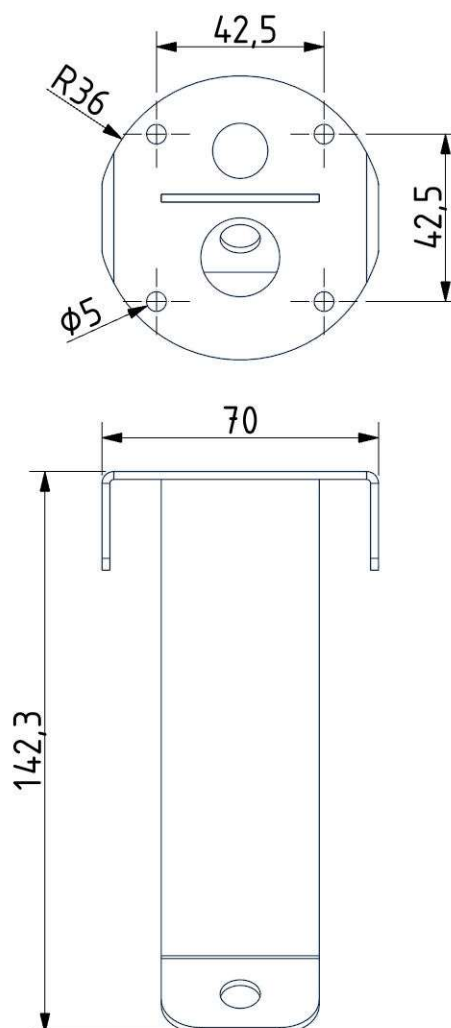
Dimensions O x w [mm] 80 x 150 mm
Weight [kg] 0.85 kg
Material metal



Drawing



Canopy bracket



DATASHEET

RECOMENDED CANOPY



Download

CEILING CANOPY

| | |
|-----------------------|----------------|
| Dimensions O x w [mm] | 101,5 x 220 mm |
| Weight [kg] | 1.6 kg |
| Material | metal |



Drawing



Canopy bracket



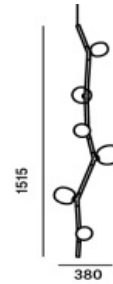
PRODUCT LIST



Name IVY VERTICAL 6

Type pendent lamp

ID PC1062



Description Inspired by the life-giving beauty and strength of plants climbing up walls, IVY Vertical offers remarkable variability in creating extraordinary interior lighting installations. Nature and its life-giving beauty and strength are the inspiration behind the unique lighting concept called IVY. Just as the plant grows and climbs up the wall of a house, so too can IVY expand into a variety of compositions. IVY features a special system of modular components for a highly innovative take on decorative lighting in both vertical and horizontal installations. The lights comprise metal branches in six basic sizes and three sizes of shades in handblown matte light rose, opal, or smoke glass. The collection also offers an impressive floor light and an intimate table light. Elegant and precise in craftsmanship all the way down to the smallest detail, IVY is a high-tech lighting concept ideally suited to project and residential applications. In household settings, for example, a single graceful branch can be hung above a dining table, or multiple branches can be used to create a curtain of light. The organic IVY collection has many forms and rightfully holds its place in the realm of artistic, bespoke lighting solutions.

Technical description The techniques Brokis applies in the production of glass are rooted in centuries of tradition and require remarkable skill from master glassmakers. Precision crafting of handblown glass gives each product a distinctive character and unmatched quality. The glass shades are formed from multiple layers of molten glass, each of which is thoroughly scrutinized by the glassmaker before being blown into the mould. The triplex opal glass of the shades represents one of the finest materials used in the lighting industry today. Together with carefully guarded handcraft techniques, the sandwich structure of two transparent outer layers of crystal and an inner layer of white opal between them lends the glass outstanding visual properties. The collection uses connectors specially developed by Brokis with an internal insulator made of polyether ether ketone (PEEK), a thermoplastic with a melting point of approximately 300°C. The connectors have excellent mechanical properties (similar to those of aluminium) and insulating properties (similar to those of ceramics). Mounting the glass shades on the lights is very easy, thus simplifying installation and maintenance. The branches, ceiling canopies, and power cables are available in either white or anthracite grey. The collection also features a dimmer for easy adjustment of the lighting ambience in the interior.

Glass Colour

| | | |
|--------------------------------|---|--------|
| smoke grey - transparent glass | A | CGC516 |
| triplex opal | A | CGC39 |
| light pink - transparent glass | A | CGC46 |

Glass surface

| | | |
|-------------------------------|-----|---------|
| acid-etched both side surface | ALL | CGSU881 |
|-------------------------------|-----|---------|

Body finish

| | | |
|---|---|---------|
| iron - white matte powder coating | A | CCS845 |
| iron - anthracite grey matte powder coating | A | CCS2675 |

Canopy finish

| | | |
|---|---|----------|
| iron - white matte powder coating | A | CCSC618 |
| iron - anthracite grey matte powder coating | A | CCSC2763 |

Cable colour

| | | |
|-----------------------|---|---------|
| textile cable - black | A | CECL519 |
| textile cable - white | A | CECL521 |

Connection method

| | | |
|------------------|---|---------|
| BROKIS connector | A | CCM1019 |
|------------------|---|---------|

Recommended Bulbs

| | | |
|---------------------------------|-----|---------|
| 12V, G4, 1.2W, 2700K, 91lm, DIM | ALL | CEB1818 |
|---------------------------------|-----|---------|

Dimmable version

| | | |
|------------------------------------|---|----------|
| non-dimmable version | A | CEDV1457 |
| RF system - remote control version | A | CEDV1461 |
| PWM signal | A | CEDV1459 |
| 1-10V | A | CEDV1460 |
| DALI version | A | CEDV1458 |
| AC phase-cut | A | CEDV1730 |