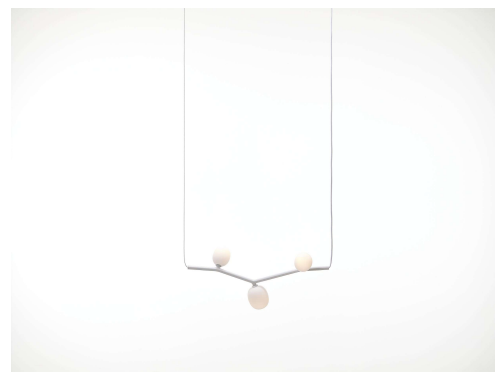




Description

Nature and its life-giving beauty and strength serve as the model for a unique lighting concept called IVY. Just as the plant grows and climbs up the walls of a house, creating multiple images.



Tech. description

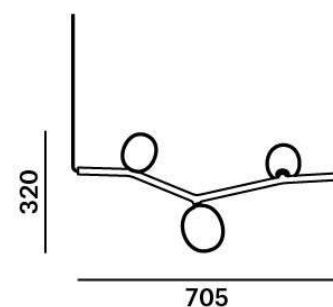
The main body of the light comprises a dural frame and glass shades fitted with G4 sockets. The frame is connected to the power cable by means of an integrated Brokis connector and is hung from a steel rope on the opposite end. The power cable is hung from the ceiling canopy, which also houses the electronics.

Colours options: https://brokis.sharepoint.com/:b/s/brokis_sp/EdybVWJth7JOimm_oxfc2BABUzR_cCr31OiVft5u5LsStw

CONSTRUCTION SPECIFICATION

Weight:	1.9 kg
Construction material:	glass, metal
Cord length [mm]:	2,000 mm
Mounting:	Ceiling
Environment:	Indoor

DIMENSIONS [mm]



ELECTRICAL SPECIFICATION

ut voltage [V]:	100 - 240 V
Frequency [Hz]:	50-60 Hz
Max. power [W]:	3 x 2 W LED
Coverage IP:	20
Socket:	G4, 12V
Light source:	-
Energy class:	A+ to B depending on light source

CERTIFICATIONS





CM6200

Socket	G4
Type	LED
Lamp wattage [W]	1.2 W
Input voltage [V]	12 VDC
Energy class	A+
Flux [lm]	91 lm
Light colour [K]	2700 K
CRI	90+
Lifespan [h]	20000h
Dimmable	yes
Dimensions h x w [mm]	10 x 28,4 mm



DATASHEET

RECOMENDED CANOPY



Download

CEILING CANOPY

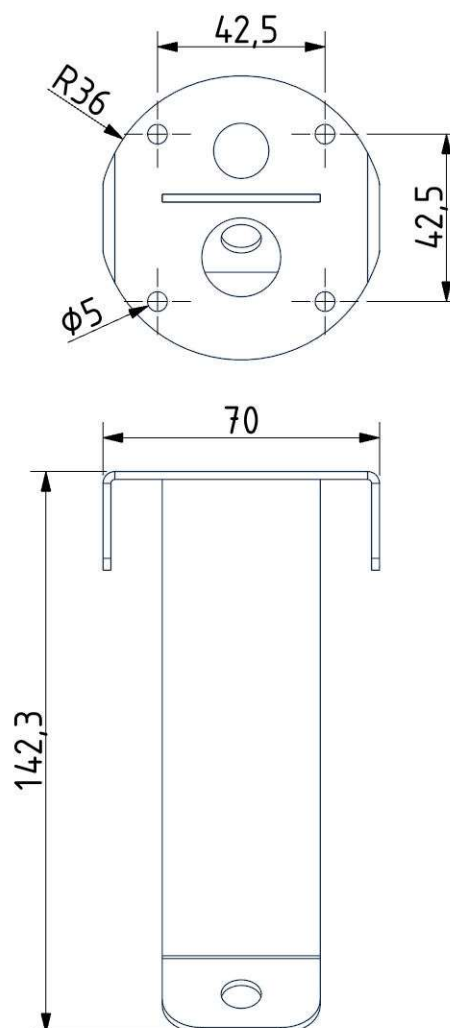
Dimensions $O \times w$ [mm] 80 x 150 mm
Weight [kg] 0.85 kg
Material metal



Drawing



Canopy bracket



BROKIS S.R.O.
ŠPANIĚLOVA 1315/25
163 00 PRAHA 6 - ŘEPY
CZECH REPUBLIC

ORG ID 64940799
VAT ID CZ64940799
C 42174 MĚSTSKÝ SOUD
V PRAZE

TEL +420 567 211 517
TECHNICAL@BROKIS.CZ
INFO@BROKIS.CZ
WWW.BROKIS.CZ

2020_08
PAGE 3

DATASHEET

RECOMENDED CANOPY



Download

CEILING CANOPY

Dimensions O x w [mm]	101,5 x 220 mm
Weight [kg]	1.6 kg
Material	metal



Drawing



Canopy bracket



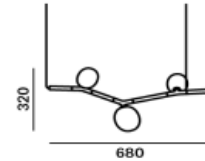
PRODUCT LIST



Name IVY HORIZONTAL 3

Type pendent lamp

ID PC1065



Description

Inspired by nature and its inherent beauty, IVY Horizontal is an innovative lighting system that offers unique possibilities in interior ambience. Nature and its life-giving beauty and strength are the inspiration behind the unique lighting concept called IVY. Just as the plant grows and climbs up the wall of a house, so too can IVY expand into a variety of compositions. IVY features a special system of modular components for a highly innovative take on decorative lighting in both vertical and horizontal installations. The lights comprise metal branches in six basic sizes and three sizes of shades in handblown matte light rose, opal, or smoke glass. The collection also offers an impressive floor light and an intimate table light. Elegant and precise in craftsmanship all the way down to the smallest detail, IVY is a high-tech lighting concept ideally suited to project and residential applications. In household settings, for example, a single graceful branch can be hung above a dining table, or multiple branches can be used to create a curtain of light. The organic IVY collection has many forms and rightfully holds its place in the realm of artistic, bespoke lighting solutions.

Technical description

The techniques Brokis applies in the production of glass are rooted in centuries of tradition and require remarkable skill from master glassmakers. Precision crafting of handblown glass gives each product a distinctive character and unmatched quality. The glass shades are formed from multiple layers of molten glass, each of which is thoroughly scrutinized by the glassmaker before being blown into the mould. The triplex opal glass of the shades represents one of the finest materials used in the lighting industry today. Together with carefully guarded handcraft techniques, the sandwich structure of two transparent outer layers of crystal and an inner layer of white opal between them lends the glass outstanding visual properties. The collection uses connectors specially developed by Brokis with an internal insulator made of polyether ether ketone (PEEK), a thermoplastic with a melting point of approximately 300°C. The connectors have excellent mechanical properties (similar to those of aluminium) and insulating properties (similar to those of ceramics). Mounting the glass shades on the lights is very easy, thus simplifying installation and maintenance. The branches, ceiling canopies, and power cables are available in either white or anthracite grey. The collection also features a dimmer for easy adjustment of the lighting ambience in the interior.

Glass Colour

smoke grey - transparent glass	A	CGC516
triplex opal	A	CGC39
light pink - transparent glass	A	CGC46

Glass surface

acid-etched both side surface	ALL	CGSU881
-------------------------------	-----	---------

Body finish

iron - white matte powder coating	A	CCS845
iron - anthracite grey matte powder coating	A	CCS2675

Canopy finish

iron - white matte powder coating	A	CCSC618
iron - anthracite grey matte powder coating	A	CCSC2763

Cable colour

textile cable - black	A	CECL519
textile cable - white	A	CECL521

Connection method

BROKIS connector	A	CCM1019
------------------	---	---------

Recommended Bulbs

12V, G4, 1.2W, 2700K, 91lm, DIM	ALL	CEB1818
---------------------------------	-----	---------

Dimmable version

non-dimmable version	A	CEDV1457
RF system - remote control version	A	CEDV1461
PWM signal	A	CEDV1459
1-10V	A	CEDV1460
DALI version	A	CEDV1458
AC phase-cut	A	CEDV1730