



Description

Nature and its life-giving beauty and strength serve as the model for a unique lighting concept called IVY. Just as the plant grows and climbs up the walls of a house, creating multiple images.



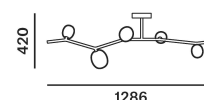
Tech. description The main part of the light comprises a dural frame and glass shades over G4 fixtures. A rod connects the frame directly to the canopy, which houses the electronics.

Colours options: https://brokis.sharepoint.com/:b:/s/brokis_sp/EVCBEjGNY11LuVUFDz5-Qe4B6Rb0qCV1yPmfwtzCVASp

CONSTRUCTION SPECIFICATION

Weight:	3.1 kg
Construction material:	glass, metal
Cord length [mm]:	-
Mounting:	Ceiling
Environment:	Indoor

DIMENSIONS [mm]



ELECTRICAL SPECIFICATION

Input voltage [V]:	100 - 240 V
Frequency [Hz]:	50-60 Hz
Max. power [W]:	5 x 2 W LED
Coverage IP:	20
Socket:	G4, 12V
Light source:	-
Energy class:	A+ to B depending on light source

CERTIFICATIONS





CM6200

Socket	G4
Type	LED
Lamp wattage [W]	1.2 W
Input voltage [V]	12 VDC
Energy class	A+
Flux [lm]	91 lm
Light colour [K]	2700 K
CRI	90+
Lifespan [h]	20000h
Dimmable	yes
Dimensions h x w [mm]	10 x 28,4 mm

DATASHEET

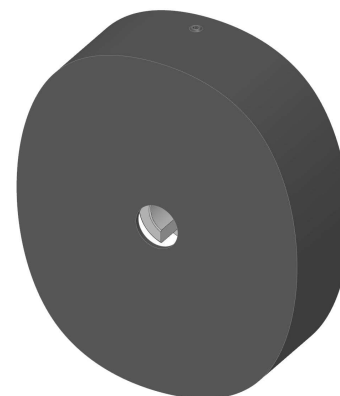
RECOMENDED CANOPY



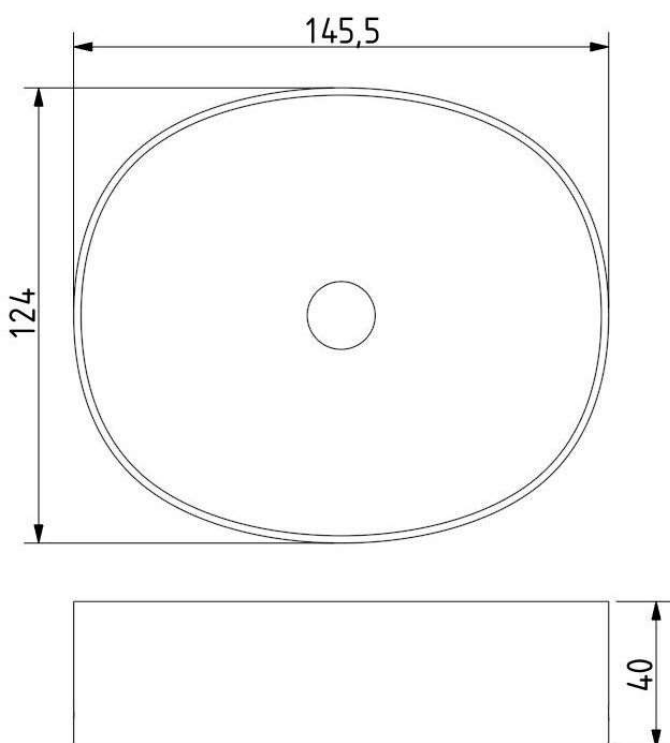
Download

CEILING CANOPY

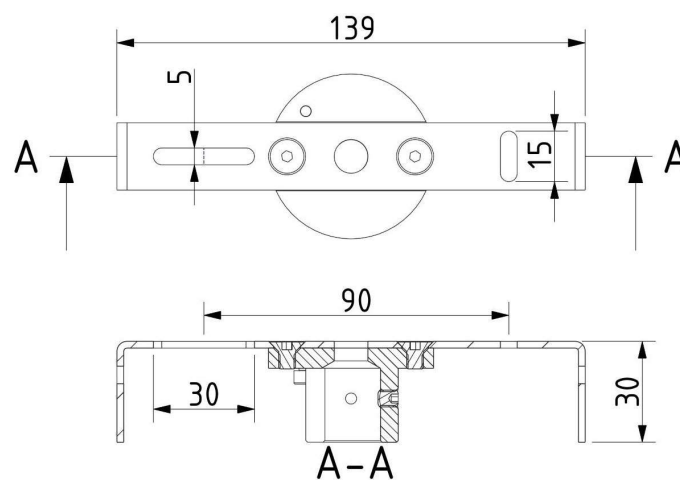
Dimensions l x w x h [mm]	145,5 x 124 x 40 mm
Weight [kg]	0,4 kg
Material	metal



Drawing



Canopy bracket



PRODUCT INFORMATION SHEET



Name IVY CEILING 5

Type ceiling lamp

ID PC1226



Description

Nature and its life-giving beauty and strength are the inspiration behind the unique lighting concept called Ivy. Just as the plant grows and climbs up the wall of a house, so too can Ivy expand into a variety of compositions. Ivy features a special system of modular components for a highly innovative take on decorative lighting in both vertical and horizontal installations. The light comprises metal components in combination with handblown glass. Branches come in six basic sizes, while there are three sizes of shades in matte light rose, opal, or smoke glass. The collection also offers an impressive floor light and an intimate table light. Elegant and precise in craftsmanship all the way down to the smallest detail, Ivy is a high-tech lighting concept ideally suited to project and residential applications. In household settings, for example, a single graceful branch can be used, or several branches can be combined to create a dramatic wall of light. The organic Ivy collection has many forms and rightfully holds its place in the realm of artistic, bespoke lighting solutions.

Technical description

The techniques BROKIS applies in the production of glass are rooted in centuries of tradition and require remarkable skill from master glassmakers. Precision crafting of handblown glass gives each product a distinctive character and unmatched quality. The glass shades are formed from multiple layers of molten glass, each of which is thoroughly scrutinized by the glassmaker before being blown into the mould. The triplex opal glass of the shades represents one of the finest materials used in the lighting industry today. Together with carefully guarded handcraft techniques, the sandwich structure of two transparent outer layers of crystal and an inner layer of white opal between them lends the glass outstanding visual properties. Mounting the glass shades on the lights is very easy, thus simplifying installation and maintenance. The branches, ceiling canopies, and power cables are available in either white or anthracite grey.

Glass Colour

smoke grey - transparent glass	A	CGC516
triplex opal	A	CGC39
light pink - transparent glass	A	CGC46

Glass surface

acid-etched both side surface	A	CGSU881
-------------------------------	---	---------

Body finish

metal - white matte powder coating with structure	A	CCS2809
metal - anthracite grey matte powder coating with structure	A	CCS2811

Recommended Bulbs

12V, G4, 1.2W, 2700K, 91lm, DIM	A	CEB1818
---------------------------------	---	---------

Dimmable version

non-dimmable version	A	CEDV1457
DIM CASAMBI CBU-PWM4	A	CEDV2854