

DATASHEET

Type: **IVY SINGLE**
Name: Pendant light
ID: PC1217
Designed by: Lucie Koldová



Download

Description

Nature and its life-giving beauty and strength are the inspiration behind the unique lighting concept called IVY. Just like a growing plant, so too can IVY create a myriad of images. The collection represents an innovative high-tech concept that makes it possible to achieve truly unmatched lighting compositions.

Hung from special coax cables, the lights are easy to install and combine thanks to modular components. Variable and precise in craftsmanship all the way down to the smallest detail, they come in three sizes in either matte light rose, opal, or smoke glass. The distinctive handblown glass elements can be arranged in a seemingly endless variety of compositions and rightly hold their place among artistic, bespoke lighting solutions ideal for public spaces, hotels, offices, and many other projects.



Tech. description

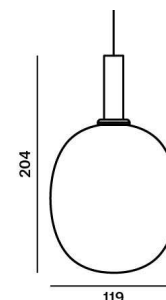
The glass shade with nut is attached to a metal ceiling canopy with G4 socket. The fixture is hung on a coaxial cable from the canopy, which is designed for dropped ceilings. The electronics are stowed in the dropped ceiling above the canopy.

Colours options: https://brokis.sharepoint.com/:b/s/brokis_sp/Edn_Vwe4lxxHr27ofrB9A1MB30YFWbPHNrIfIUx_MaToGg

CONSTRUCTION SPECIFICATION

Weight: 1 kg
Construction material: glass, metal
Cord length [mm]: 2,000 mm
Mounting: Ceiling
Environment: Indoor

DIMENSIONS [mm]



ELECTRICAL SPECIFICATION

Input voltage [V]: 100 - 240 V
Frequency [Hz]: 50-60 Hz
Max. power [W]: 2 W LED
Coverage IP: 20
Socket: G4, 12V
Light source: -
Energy class: A+ to B depending on light source

CERTIFICATIONS



BROKIS®

BROKIS S.R.O.
ŠPANILOVA 1315/25
163 00 PRAHA 6 - ŘEPY
CZECH REPUBLIC

ORG ID 64940799
VAT ID CZ64940799
C 42174 MĚSTSKÝ SOUD
V PRAZE

TEL +420 567 211 517
TECHNICAL@BROKIS.CZ
INFO@BROKIS.CZ
WWW.BROKIS.CZ

2021_03
PAGE 1

DATASHEET

RECOMMENDED BULBS



Download



CM6200

Socket	G4
Type	LED
Lamp wattage [W]	1.2 W
Input voltage [V]	12 VDC
Energy class	A+
Flux [lm]	91 lm
Light colour [K]	2700 K
CRI	90+
Lifespan [h]	20000h
Dimmable	yes
Dimensions h x w [mm]	10 x 28,4 mm



BROKIS®

BROKIS S.R.O.
ŠPANILOVA 1315/25
163 00 PRAHA 6 - ŘEPY
CZECH REPUBLIC

ORG ID 64940799
VAT ID CZ64940799
C 42174 MĚSTSKÝ SOUD
V PRAZE

TEL +420 567 211 517
TECHNICAL@BROKIS.CZ
INFO@BROKIS.CZ
WWW.BROKIS.CZ

2021_03
PAGE 2

DATASHEET

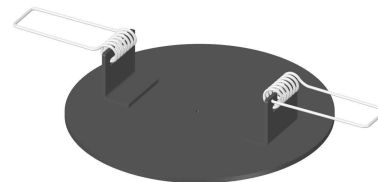
RECOMENDED CANOPY



Download

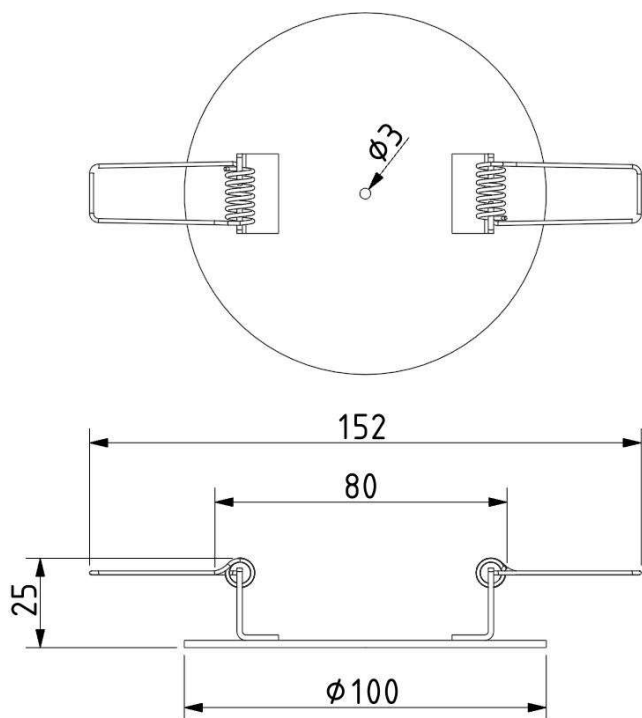
CEILING CANOPY

Dimensions O x w [mm] 100 x 2 mm
Weight [kg] 0,1 kg
Material metal



Drawing

Canopy bracket



BROKIS S.R.O.
ŠPANILOVA 1315/25
163 00 PRAHA 6 - ŘEPY
CZECH REPUBLIC

ORG ID 64940799
VAT ID CZ64940799
C 42174 MĚSTSKÝ SOUD
V PRAZE

TEL +420 567 211 517
TECHNICAL@BROKIS.CZ
INFO@BROKIS.CZ
WWW.BROKIS.CZ

2021_03
PAGE 3

PRODUCT INFORMATION SHEET



Name IVY SINGLE L

Type pendent lamp

ID PC1217



Description Nature and its life-giving beauty and strength are the inspiration behind the unique lighting concept called IVY. Just like a growing plant, so too can IVY create a myriad of images. The collection represents an innovative high-tech concept that makes it possible to achieve truly unmatched lighting compositions. Hung from special coax cables, the lights are easy to install and combine thanks to modular components. Variable and precise in craftsmanship all the way down to the smallest detail, they come in three sizes in either matte light rose, opal, or smoke glass. The distinctive handblown glass elements can be arranged in a seemingly endless variety of compositions and rightly hold their place among artistic, bespoke lighting solutions ideal for public spaces, hotels, offices, and many other projects.

Technical description The techniques Brokis applies in the production of glass are rooted in centuries of tradition and require remarkable skill from master glassmakers. Precision crafting of handblown glass gives each product a distinctive character and unmatched quality. The glass shades are formed from multiple layers of molten glass, each of which is thoroughly scrutinized by the glassmaker before being blown into the mould. The triplex opal glass of the shades represents one of the finest materials used in the lighting industry today. Together with carefully guarded handcraft techniques, the sandwich structure of two transparent outer layers of crystal and an inner layer of white opal between them lends the glass outstanding visual properties. To ensure there is no disruption to the overall impression of the lighting composition, IVY Single is hung from special small-diameter coax cables. The hanging system also simplifies installation and maintenance.

Glass Colour

smoke grey - transparent glass	A	CGC516
triplex opal	A	CGC39
light pink - transparent glass	A	CGC46

Glass surface

acid-etched both side surface	A	CGSU881
-------------------------------	---	---------

Body finish

metal - white matte powder coating with structure	A	CCS2809
metal - anthracite grey matte powder coating with structure	A	CCS2811

Canopy finish

metal - white matte powder coating with structure	A	CCSC2810
metal - anthracite grey matte powder coating with structure	A	CCSC2812

Cable colour

coaxial cable - silver	A	CECL2772
------------------------	---	----------

Recommended Bulbs

12V, G4, 1.2W, 2700K, 91lm, DIM	A	CEB1818
---------------------------------	---	---------

Dimmable version