



## Description

Nature and its life-giving beauty and strength are the inspiration behind the unique lighting concept called IVY. Just like a growing plant, so too can IVY create a myriad of images. The collection represents an innovative high-tech concept that makes it possible to achieve truly unmatched lighting compositions.

Hung from special coax cables, the lights are easy to install and combine thanks to modular components. Variable and precise in craftsmanship all the way down to the smallest detail, they come in three sizes in either matte light rose, opal, or smoke glass. The distinctive handblown glass elements can be arranged in a seemingly endless variety of compositions and rightly hold their place among artistic, bespoke lighting solutions ideal for public spaces, hotels, offices, and many other projects.



## Tech. description

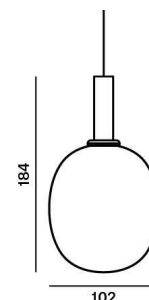
The glass shade with nut is attached to a metal ceiling canopy with G4 socket. The fixture is hung on a coaxial cable from the canopy, which is designed for dropped ceilings. The electronics are stowed in the dropped ceiling above the canopy.

Colours options: [https://brokis.sharepoint.com/:b/s/brokis\\_sp/EblpvQezY5ZPI-RcPLmVFLEBcnZ0X2jS2QwBkoLEbeXUIQ](https://brokis.sharepoint.com/:b/s/brokis_sp/EblpvQezY5ZPI-RcPLmVFLEBcnZ0X2jS2QwBkoLEbeXUIQ)

## CONSTRUCTION SPECIFICATION

Weight:	0.8 kg
Construction material:	glass, metal
Cord length [mm]:	2,000 mm
Mounting:	Ceiling
Environment:	Indoor

## DIMENSIONS [mm]



## ELECTRICAL SPECIFICATION

Input voltage [V]:	100 - 240 V
Frequency [Hz]:	50-60 Hz
Max. power [W]:	2 W LED
Coverage IP:	20
Socket:	G4, 12V
Light source:	-
Energy class:	A+ to B depending on light source

## CERTIFICATIONS



# DATASHEET

## RECOMMENDED BULBS



Download



**CM6200**

<b>Socket</b>	G4
<b>Type</b>	LED
<b>Lamp wattage [W]</b>	1.2 W
<b>Input voltage [V]</b>	12 VDC
<b>Energy class</b>	A+
<b>Flux [lm]</b>	91 lm
<b>Light colour [K]</b>	2700 K
<b>CRI</b>	90+
<b>Lifespan [h]</b>	20000h
<b>Dimmable</b>	yes
<b>Dimensions h x w [mm]</b>	10 x 28,4 mm



BROKIS®

BROKIS S.R.O.  
ŠPANILOVA 1315/25  
163 00 PRAHA 6 - ŘEPY  
CZECH REPUBLIC

ORG ID 64940799  
VAT ID CZ64940799  
C 42174 MĚSTSKÝ SOUD  
V PRAZE

TEL +420 567 211 517  
TECHNICAL@BROKIS.CZ  
INFO@BROKIS.CZ  
WWW.BROKIS.CZ

2021\_03  
PAGE 2

# DATASHEET

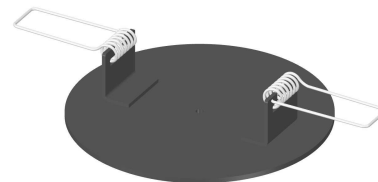
## RECOMENDED CANOPY



Download

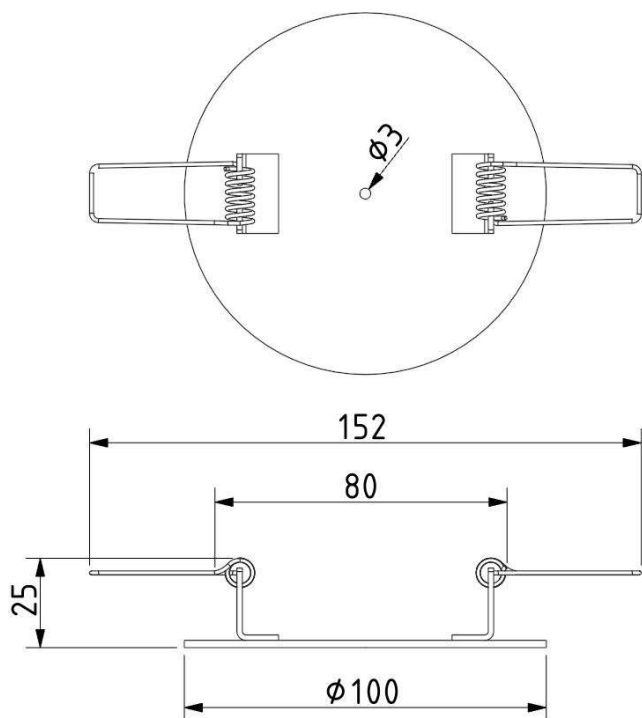
### CEILING CANOPY

Dimensions O x w [mm] 100 x 2 mm  
Weight [kg] 0,1 kg  
Material metal



### Drawing

### Canopy bracket



BROKIS S.R.O.  
ŠPANILOVA 1315/25  
163 00 PRAHA 6 - ŘEPY  
CZECH REPUBLIC

ORG ID 64940799  
VAT ID CZ64940799  
C 42174 MĚSTSKÝ SOUD  
V PRAZE

TEL +420 567 211 517  
TECHNICAL@BROKIS.CZ  
INFO@BROKIS.CZ  
WWW.BROKIS.CZ

2021\_03  
PAGE 3

# PRODUCT INFORMATION SHEET



**Name** IVY SINGLE M

**Type** pendent lamp

**ID** PC1216



**Description** Nature and its life-giving beauty and strength are the inspiration behind the unique lighting concept called IVY. Just like a growing plant, so too can IVY create a myriad of images. The collection represents an innovative high-tech concept that makes it possible to achieve truly unmatched lighting compositions. Hung from special coax cables, the lights are easy to install and combine thanks to modular components. Variable and precise in craftsmanship all the way down to the smallest detail, they come in three sizes in either matte light rose, opal, or smoke glass. The distinctive handblown glass elements can be arranged in a seemingly endless variety of compositions and rightly hold their place among artistic, bespoke lighting solutions ideal for public spaces, hotels, offices, and many other projects.

**Technical description** The techniques Brokis applies in the production of glass are rooted in centuries of tradition and require remarkable skill from master glassmakers. Precision crafting of handblown glass gives each product a distinctive character and unmatched quality. The glass shades are formed from multiple layers of molten glass, each of which is thoroughly scrutinized by the glassmaker before being blown into the mould. The triplex opal glass of the shades represents one of the finest materials used in the lighting industry today. Together with carefully guarded handcraft techniques, the sandwich structure of two transparent outer layers of crystal and an inner layer of white opal between them lends the glass outstanding visual properties. To ensure there is no disruption to the overall impression of the lighting composition, IVY Single is hung from special small-diameter coax cables. The hanging system also simplifies installation and maintenance.

## **Glass Colour**

smoke grey - transparent glass	A	CGC516
triplex opal	A	CGC39
light pink - transparent glass	A	CGC46

## **Glass surface**

acid-etched both side surface	A	CGSU881
-------------------------------	---	---------

## **Body finish**

metal - white matte powder coating with structure	A	CCS2809
metal - anthracite grey matte powder coating with structure	A	CCS2811

## **Canopy finish**

metal - white matte powder coating with structure	A	CCSC2810
metal - anthracite grey matte powder coating with structure	A	CCSC2812

## **Cable colour**

coaxial cable - silver	A	CECL2772
------------------------	---	----------

## **Recommended Bulbs**

12V, G4, 1.2W, 2700K, 91lm, DIM	A	CEB1818
---------------------------------	---	---------

## **Dimmable version**