

DATASHEET



| | |
|--------------------|--|
| Name | Table light |
| Type | Jack O'Lantern Small |
| ID | PC1051 |
| Description | This modern lighting element by Lucie Koldova, with marble base and a pearl inside a metal frame, rounds out the variable Jack O'Lantern family. |

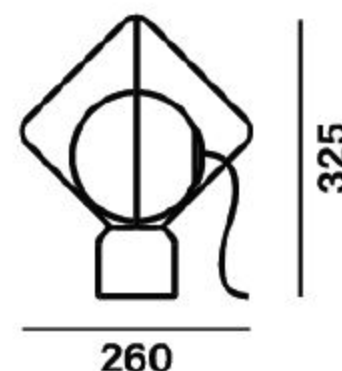
Tech. description The light comprises a stone base with a metal cage. The cage holds a glass sphere with a metal endcap and G9 lamp socket.



CONSTRUCTION SPECIFICATION

| | |
|------------------------------|--------------|
| Weight [kg] | 2.5 kg |
| Construction material | glass, stone |
| Cord length [mm] | 2,400 mm |
| Mounting | table |
| Environment | indoor |

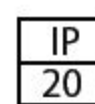
Dimensions [mm]



ELECTRICAL SPECIFICATION

| | |
|--------------------------|-----------------------------------|
| Input voltage [V] | 230 VDC |
| Frequency [Hz] | 50-60 Hz |
| Max. power [W] | 10 W |
| Coverage IP | 20 |
| Socket | G9 |
| Light source | - |
| Energy class | A+ to B depending on light source |

Certifications



DATASHEET

RECOMMENDED BULBS



LAMPJA G9 5 SCPD 827

| | |
|-----------------------|-------------|
| Socket | G9 |
| Type | LED |
| Lamp wattage [W] | 4.5 W |
| Input voltage [V] | 220-240 VAC |
| Energy class | A+ |
| Flux[lm] | 399 lm |
| Light colour [K] | 2,700 K |
| CRI | 80+ |
| Lifespan [h] | 15,000 h |
| Dimmable | yes (triac) |
| Dimensions h x w [mm] | 54 x 18 mm |

PRODUCT LIST



Name JACK O' LANTERN SMALL Table

Type table lamp

ID PC1051



Description Light as a jewel of the home. A functional object in aesthetic elation, a sentinel of the evening and the night. The subtle levitating metal frame bears tidings of the way and a luminous pearl in the form of a handblown matte sphere. With inspiration taken from the carved pumpkin, Lucie Koldova's concept shows the way and becomes a building block in the house of light, beckoning passers-by to enter. This subtle and geometrically balanced light offers a wide variety of combinations. It can be hung separately or in vertical lighting arrangements. In addition to the suspension variant, there is also a wall composition comprising five frames joined in a single module for up to five glass spheres, which rely on nothing more than gravity to stay in place. Sizes and versions: Wall (Small), Pendent and Table (Small and Large).

Technical description

Glass Colour

| | | |
|--------------------------------|---|--------|
| smoke grey - transparent glass | A | CGC516 |
| triplex opal | A | CGC39 |
| light pink - transparent glass | A | CGC46 |

Glass surface

| | | |
|-------------------------------|-----|---------|
| acid-etched both side surface | ALL | CGSU881 |
|-------------------------------|-----|---------|

Base finish

| | | |
|--------------------------------|---|----------|
| satinated Nero Marquina marble | A | CSFB2360 |
| satinated Rosso Francia marble | A | CSFB2682 |
| satinated Grigio Talami marble | A | CSFB2681 |
| satinated Carrara marble | A | CSFB2361 |

Body finish

| | | |
|---|---|---------|
| liquid metal coating - copper | B | CCS2353 |
| liquid metal coating - chrome | B | CCS2354 |
| liquid metal coating - black chrome | B | CCS2355 |
| black matte powder coating with structure | A | CCS2673 |

Cable colour

| | | |
|----------------------------|---|----------|
| textile cable - black | A | CECL519 |
| textile cable - white | A | CECL521 |
| textile cable - light grey | A | CECL1918 |

Recommended Bulbs

| | | |
|----------------------------|---|---------|
| 230V, G9, 4.5W, 2700K, DIM | A | CEB2773 |
| 230V, G9, 4.5W, 4000K, DIM | A | CEB2774 |