

DATASHEET



Name Suspension light

Type Jack O'Lantern Small

ID PC1095

Description The Jack O'Lantern collection by designer Lucie Koldova offers a high degree of variability and provides space to create lighting compositions based on personal preference. The glass sphere is an integral component of the Jack O'Lantern pendant light and cannot be ordered separately. While the spheres must always be placed in metal frames, single frames can be hung empty in vertical arrangements with another frame and sphere.

Tech. description The light comprises a glass sphere and metal endcap with G9 lamp socket. The light is intended for use with cage PC1101, PC1103, or PC1104. The magnetic ring holding the endcap in place is not designed to bear the weight of the glass sphere.



CONSTRUCTION SPECIFICATION

Weight [kg]	1 kg
Construction material	glass, metal
Cord length [mm]	2,300 mm
Mounting	ceiling
Environment	indoor

Dimensions [mm]



ELECTRICAL SPECIFICATION

Input voltage [V]	230 VDC
Frequency [Hz]	50-60 Hz
Max. power [W]	10 W
Coverage IP	20
Socket	G9
Light source	-
Energy class	A+ to B depending on light source

Certifications



DATASHEET

RECOMMENDED BULBS



BROKIS



LAMPIA G9 5 SCPD 827

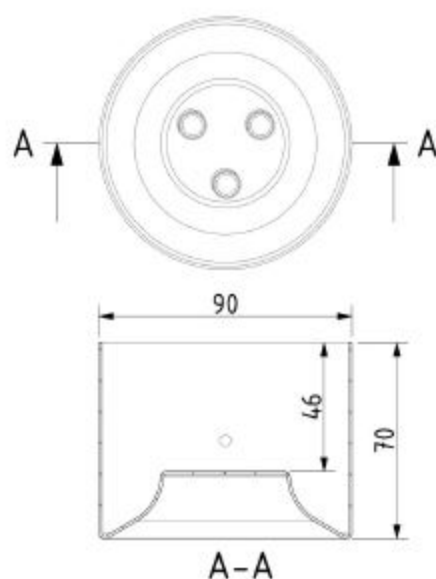
Socket	G9
Type	LED
Lamp wattage [W]	4.5 W
Input voltage [V]	220-240 VAC
Energy class	A+
Flux[lm]	399 lm
Light colour [K]	2,700 K
CRI	80+
Lifespan [h]	15,000 h
Dimmable	yes (triac)
Dimensions h x w [mm]	54 x 18 mm

Ceiling canopy

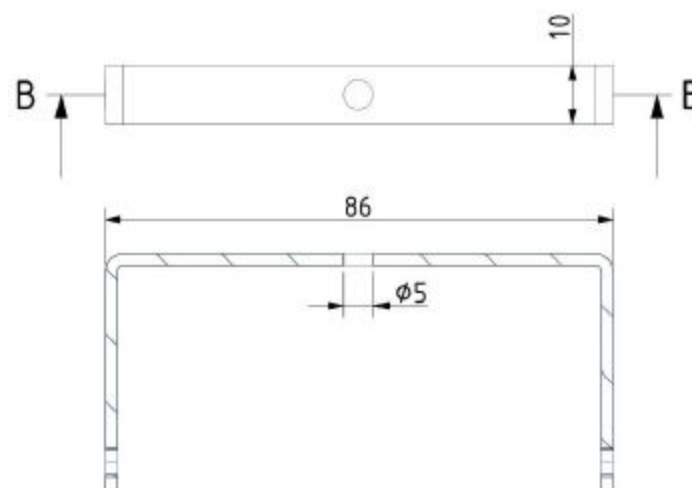
Dimensions \varnothing x w [mm]	90 x 70 mm
Weight [kg]	0.2 kg
Material	metal



Drawing



Canopy bracket



PRODUCT LIST



Name JACK O' LANTERN SMALL pendent sphere

Type pendent lamp

ID PC1095



Description

Light as a jewel of the home. A functional object in aesthetic elation, a sentinel of the evening and the night. The subtle levitating metal frame bears tidings of the way and a luminous pearl in the form of a handblown matte sphere. With inspiration taken from the carved pumpkin, Lucie Koldova's concept shows the way and becomes a building block in the house of light, beckoning passers-by to enter. This subtle and geometrically balanced light offers a wide variety of combinations. It can be hung separately or in vertical lighting arrangements. In addition to the suspension variant, there is also a wall composition comprising five frames joined in a single module for up to five glass spheres, which rely on nothing more than gravity to stay in place. Sizes and versions: Wall (Small), Pendent and Table (Small and Large).

Technical description

Glass Colour

smoke grey - transparent glass	A	CGC516
triplex opal	A	CGC39
light pink - transparent glass	A	CGC46

Glass surface

acid-etched both side surface	A	CGSU881
-------------------------------	---	---------

Body finish

liquid metal coating - copper	B	CCS2353
liquid metal coating - chrome	B	CCS2354
liquid metal coating - black chrome	B	CCS2355
black matte powder coating with structure	A	CCS2673

Canopy finish

liquid metal coating - copper	B	CCSC2362
liquid metal coating - chrome	B	CCSC2363
liquid metal coating - black chrome	B	CCSC2364
black matte powder coating with structure	A	CCSC2674

Cable colour

textile cable - black	A	CECL519
textile cable - white	A	CECL521
textile cable - light grey	A	CECL1918

Recommended Bulbs

230V, G9, 4.5W, 2700K, DIM	A	CEB2773
230V, G9, 4.5W, 4000K, DIM	A	CEB2774