



## Description

KNOT is a collection of stately pendent lights that appose two dramatically dissimilar materials. The design combines coarse natural fibre with smooth, transparent handblown glass to arouse a contrast as striking as it is dignified.



## Tech. description

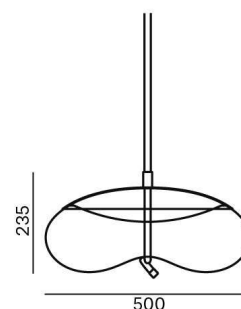
The light comprises a glass shade, glass diffuser, metal component with LED module, and linen rope and is suspended from the ceiling canopy with a special bracket. The bottom section of the light is engineered as SELV.

Colours options: [https://brokis.sharepoint.com/:b:/s/brokis\\_sp/EQjYh\\_Ye4-BAjAaiHO4E73YBWn-rJKSLH3CX5jYFzff3Nw](https://brokis.sharepoint.com/:b:/s/brokis_sp/EQjYh_Ye4-BAjAaiHO4E73YBWn-rJKSLH3CX5jYFzff3Nw)

## CONSTRUCTION SPECIFICATION

<b>Weight:</b>	12 kg
<b>Construction material:</b>	glass, metal, linen rope
<b>Cord length [mm]:</b>	Individual, max. 5,000 mm
<b>Mounting:</b>	Ceiling
<b>Environment:</b>	Indoor

## DIMENSIONS [mm]



## ELECTRICAL SPECIFICATION

<b>Input voltage [V]:</b>	100 - 240 V
<b>Frequency [Hz]:</b>	50-60 Hz
<b>Max. power [W]:</b>	15 W
<b>Coverage IP:</b>	20
<b>Socket:</b>	LED module
<b>Light source:</b>	-
<b>Energy class:</b>	A+

## CERTIFICATIONS





## CM4015

<b>Type</b>	LED module
<b>Lamp wattage [W]</b>	14 W
<b>Input voltage [V]</b>	24 VDC
<b>Energy class</b>	A+
<b>Flux [lm]</b>	1816 lm
<b>Light colour [K]</b>	2700 K
<b>CRI</b>	80+
<b>Lifespan [h]</b>	20000h
<b>Dimmable</b>	yes (PWM)

# DATASHEET

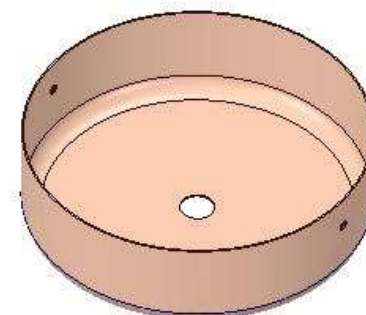
## RECOMENDED CANOPY



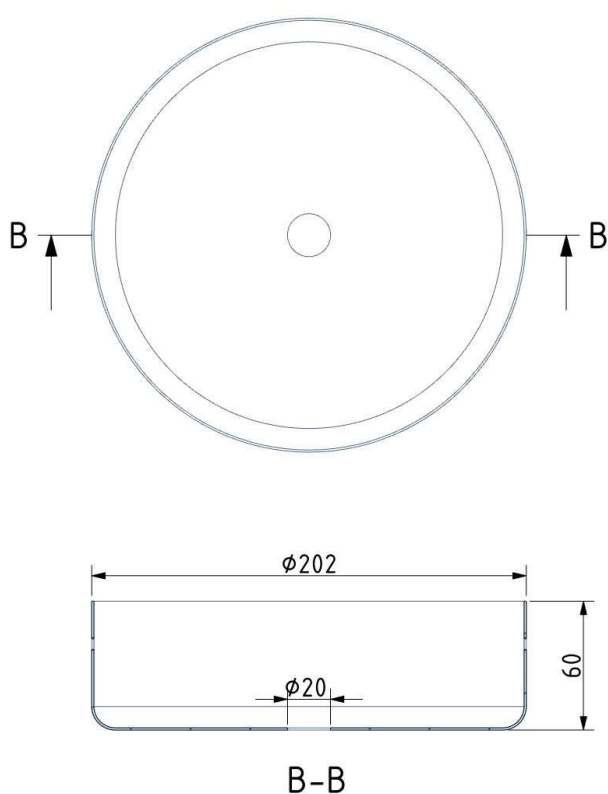
Download

### CEILING CANOPY

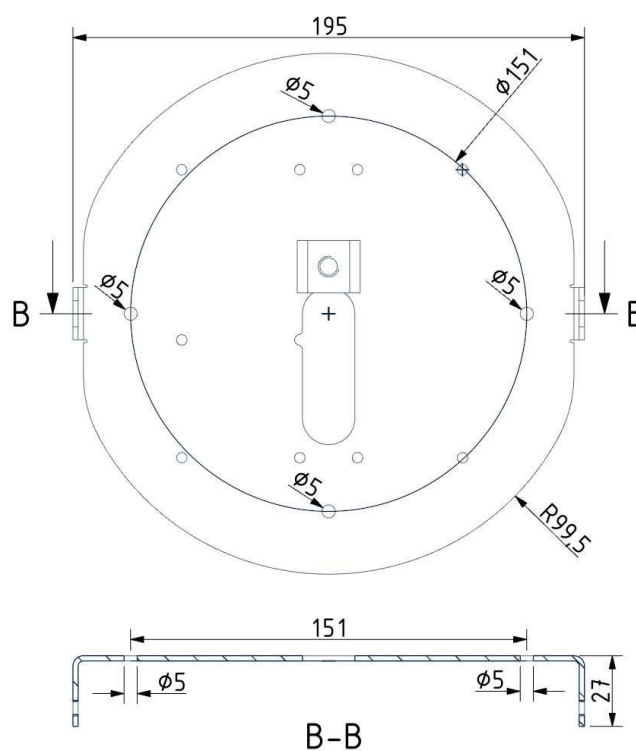
Dimensions $O \times w$ [mm]	202 x 60 mm
Weight [kg]	1.15 kg
Material	metal



### Drawing



### Canopy bracket



# PRODUCT LIST



**Name** KNOT DISCO

**Type** pendent lamp

**ID** PC1017



**Description** KNOT is a collection of stately pendent lights that appose two dramatically dissimilar materials. The design combines coarse natural fibre with smooth, transparent blown glass to arouse a contrast as striking as it is dignified. Full-bodied globes of varying shapes and sizes are penetrated by robust cords that seemingly pull the bottom of the glass inward for a bemusing plastic effect. The LED light source is housed in a handsome top hood, which, like the cord end cap, is fashioned in refined metal. KNOTs are well-suited to both private and public interior spaces and make a particularly impressive statement above dining tables. The collection currently comprises four pendent lights and several colour options.

**Technical description** The craftsmanship applied in production follows in the centuries-old tradition and experience of master glassmakers. The precision crafting of hand-blown glass instills distinctive, enduring character and outstanding quality in all Brokis products. The glass shades are formed from multiple layers of molten glass, each of which is scrutinized by the master glassmaker prior to being blown into the mold. Up to 70% of the resulting quality is achieved in this stage of production. The metal reflector is manufactured through a unique metal stamping technique that has been proven over the course of millennia and involves spinning cold sheet metal on a rotating form. The history of this technology goes back to Celtic times. As with the glassmakers, the master metalworkers draw upon the tradition and experience that have been carefully passed down through the ages and give the final product exceptional added value.

## Glass Colour

transparent glass	A	CGC23
smoke grey - transparent glass	A	CGC516
smoke brown - transparent glass	A	CGC538
opaline - transparent glass	A	CGC38

## Glass surface

glossy surface	ALL	CGSU66
matte inner glass finish	A	CGSU880

## Body finish

copper	A	CCS584
brass	A	CCS69
chrome black	A	CCS959
brushed stainless steel	A	CCS68
black matte powder coating with structure	A	CCS2673

## Canopy finish

copper	A	CCSC896
brass	A	CCSC897
chrome black	A	CCSC975
brushed stainless steel	A	CCSC974
black matte powder coating with structure	A	CCSC2674

## Rope

rope - natural	A	CRP970
----------------	---	--------

## LED Source

24V, LED, 14W, 2700K, 1660lm, RA80+, DIM	A	LEDS982
--	---	---------

## **Dimmable version**

non-dimmable version	A	CEDV1457
RF system - remote control version	A	CEDV1461
PWM signal	A	CEDV1459
1-10V	A	CEDV1460
DALI version	A	CEDV1458
AC phase-cut	A	CEDV1730