



Description

KNOT is a collection of stately pendant lights that appose two dramatically dissimilar materials. The design combines coarse natural fibre with smooth, transparent handblown glass to arouse a contrast as striking as it is dignified.



Tech. description

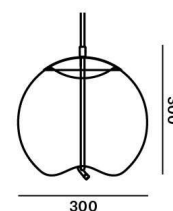
The light comprises a glass shade, glass diffuser, metal component with LED module, and linen rope and is suspended from the ceiling canopy with a special bracket. The bottom section of the light is engineered as SELV.

Colours options: https://brokis.sharepoint.com/:b:/s/brokis_sp/Ef4KN7NmK3JHjIVbKNKn8IQB4JCqh3N8r9Q1W1ELkQgEn

CONSTRUCTION SPECIFICATION

Weight:	3.5 kg
Construction material:	glass, metal, linen rope
Cord length [mm]:	Individual, max. 5,000 mm
Mounting:	Ceiling
Environment:	Indoor

DIMENSIONS [mm]

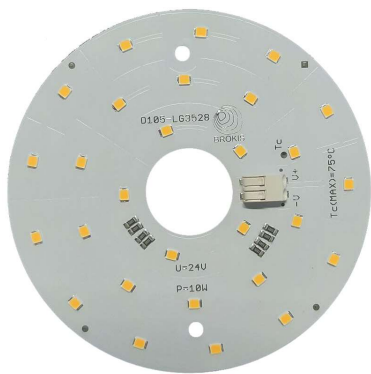


ELECTRICAL SPECIFICATION

Input voltage [V]:	100 - 240 V
Frequency [Hz]:	50-60 Hz
Max. power [W]:	10 W
Coverage IP:	20
Socket:	LED module
Light source:	-
Energy class:	A+

CERTIFICATIONS





CM6131

Type	LED module
Lamp wattage [W]	10 W
Input voltage [V]	24 VDC
Energy class	A+
Flux [lm]	1510 lm
Light colour [K]	2700 K
CRI	80+
Lifespan [h]	20000h
Dimmable	yes (PWM)

DATASHEET

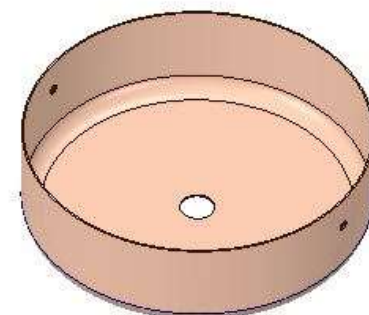
RECOMENDED CANOPY



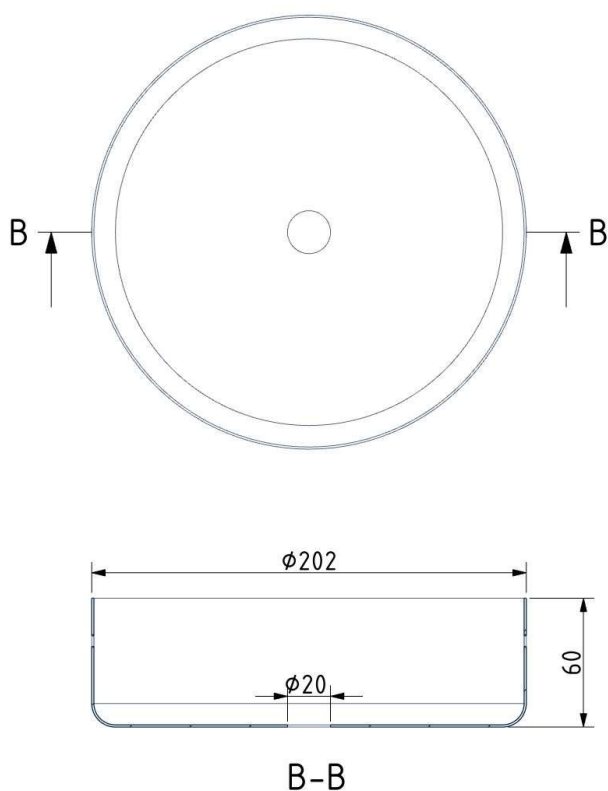
Download

CEILING CANOPY

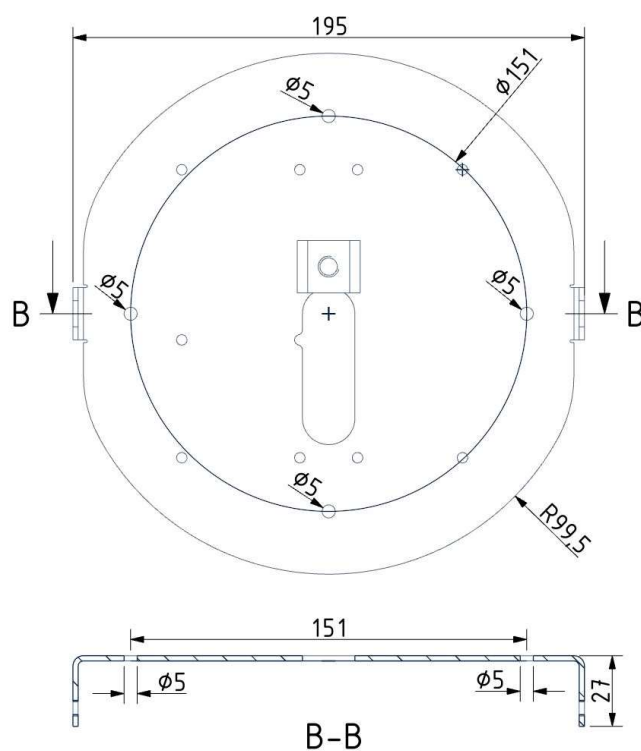
Dimensions O x w [mm]	202 x 60 mm
Weight [kg]	1.15 kg
Material	metal



Drawing



Canopy bracket



PRODUCT LIST



Name KNOT SMALL SFERA

Type pendent lamp

ID PC1035



Description KNOT is a collection of stately pendant lights that appose two dramatically dissimilar materials. The design combines coarse natural fibre with smooth, transparent blown glass to arouse a contrast as striking as it is dignified. Full-bodied globes of varying shapes and sizes are penetrated by robust cords that seemingly pull the bottom of the glass inward for a bemusing plastic effect. The LED light source is housed in a handsome top hood, which, like the cord end cap, is fashioned in refined metal. The collection currently comprises four pendant lights and several colour options. Knot Small expands the Knot collection with smaller versions of each light. The new size comes in response to increasing demand for compact lights suited to smaller interiors and lower ceiling heights.

Technical description

Glass Colour

transparent glass	A	CGC23
smoke grey - transparent glass	A	CGC516
smoke brown - transparent glass	A	CGC538
opaline - transparent glass	A	CGC38

Glass surface

glossy surface	ALL	CGSU66
matte inner glass finish	A	CGSU880

Body finish

copper	A	CCS584
brass	A	CCS69
chrome black	A	CCS959
brushed stainless steel	A	CCS68
black matte powder coating with structure	A	CCS2673

Canopy finish

copper	A	CCSC896
brass	A	CCSC897
chrome black	A	CCSC975
brushed stainless steel	A	CCSC974
black matte powder coating with structure	A	CCSC2674

Rope

rope - natural	A	CRP970
----------------	---	--------

LED Source

24V, LED, 10W, 2700K, 1510lm, RA80+, DIM	A	LEDS1910
------------------------------------------	---	----------

Dimmable version

non-dimmable version	A	CEDV1457
RF system - remote control version	A	CEDV1461
PWM signal	A	CEDV1459
1-10V	A	CEDV1460
DALI version	A	CEDV1458
AC phase-cut	A	CEDV1730