



## Description

KNOT is a collection of stately pendant lights that appose two dramatically dissimilar materials. The design combines coarse natural fibre with smooth, transparent handblown glass to arouse a contrast as striking as it is dignified.



## Tech. description

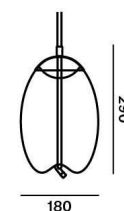
The light comprises a glass shade, glass diffuser, metal component with LED module, and linen rope and is suspended from the ceiling canopy with a special bracket. The bottom section of the light is engineered as SELV.

Colours options: [https://brokis.sharepoint.com/:b/s/brokis\\_sp/ETP5oCQ2b0VPIvMEsn5gIBT-gmiu4X8IyE4MTLsGRPDw](https://brokis.sharepoint.com/:b/s/brokis_sp/ETP5oCQ2b0VPIvMEsn5gIBT-gmiu4X8IyE4MTLsGRPDw)

## CONSTRUCTION SPECIFICATION

<b>Weight:</b>	3 kg
<b>Construction material:</b>	glass, metal, linen rope
<b>Cord length [mm]:</b>	Individual, max. 5,000 mm
<b>Mounting:</b>	Ceiling
<b>Environment:</b>	Indoor

## DIMENSIONS [mm]



## ELECTRICAL SPECIFICATION

<b>Input voltage [V]:</b>	100 - 240 V
<b>Frequency [Hz]:</b>	50-60 Hz
<b>Max. power [W]:</b>	6 W
<b>Coverage IP:</b>	20
<b>Socket:</b>	LED module
<b>Light source:</b>	-
<b>Energy class:</b>	A+

## CERTIFICATIONS





## CM6130

<b>Type</b>	LED module
<b>Lamp wattage [W]</b>	6 W
<b>Input voltage [V]</b>	24 VDC
<b>Energy class</b>	A+
<b>Flux [lm]</b>	895 lm
<b>Light colour [K]</b>	2700 K
<b>CRI</b>	80+
<b>Lifespan [h]</b>	20000h
<b>Dimmable</b>	yes (PWM)

# DATASHEET

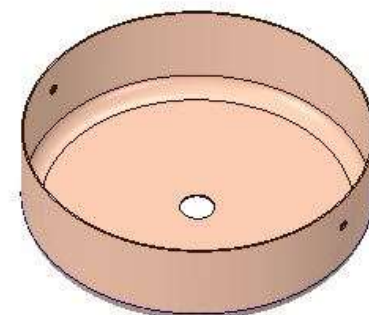
## RECOMENDED CANOPY



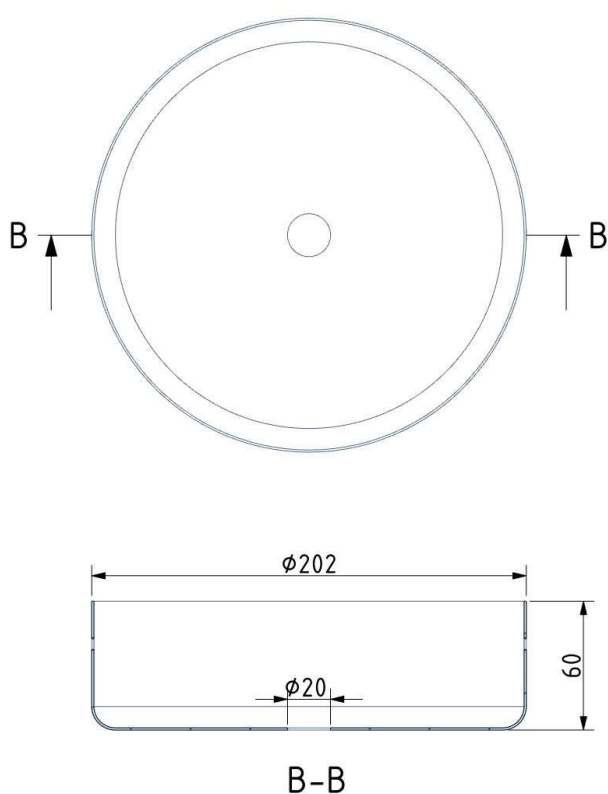
Download

### CEILING CANOPY

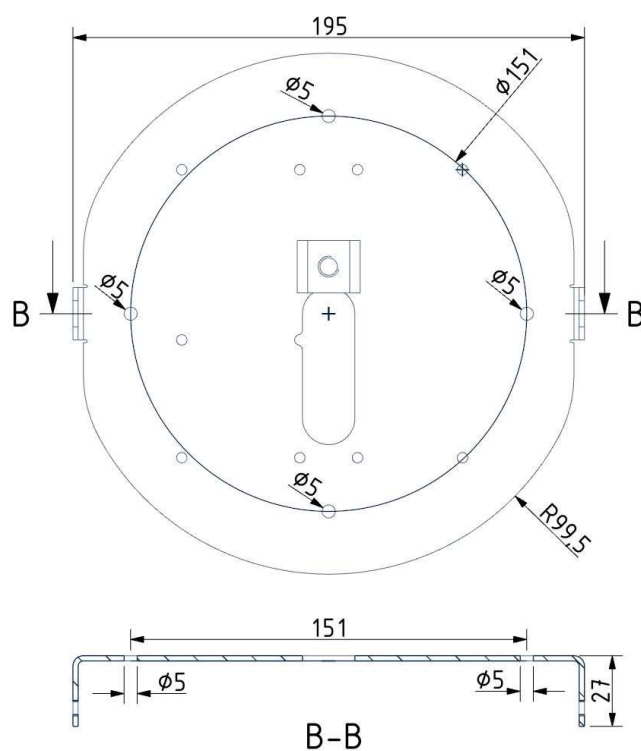
Dimensions O x w [mm]	202 x 60 mm
Weight [kg]	1.15 kg
Material	metal



### Drawing



### Canopy bracket



# PRODUCT LIST



**Name** KNOT SMALL UOVO

**Type** pendent lamp

**ID** PC1036



**Description** KNOT is a collection of stately pendant lights that appose two dramatically dissimilar materials. The design combines coarse natural fibre with smooth, transparent blown glass to arouse a contrast as striking as it is dignified. Full-bodied globes of varying shapes and sizes are penetrated by robust cords that seemingly pull the bottom of the glass inward for a bemusing plastic effect. The LED light source is housed in a handsome top hood, which, like the cord end cap, is fashioned in refined metal. The collection currently comprises four pendant lights and several colour options. Knot Small expands the Knot collection with smaller versions of each light. The new size comes in response to increasing demand for compact lights suited to smaller interiors and lower ceiling heights.

## Technical description

### Glass Colour

transparent glass	A	CGC23
smoke grey - transparent glass	A	CGC516
smoke brown - transparent glass	A	CGC538
opaline - transparent glass	A	CGC38

### Glass surface

glossy surface	ALL	CGSU66
matte inner glass finish	A	CGSU880

### Body finish

copper	A	CCS584
brass	A	CCS69
chrome black	A	CCS959
brushed stainless steel	A	CCS68
black matte powder coating with structure	A	CCS2673

### Canopy finish

copper	A	CCSC896
brass	A	CCSC897
chrome black	A	CCSC975
brushed stainless steel	A	CCSC974
black matte powder coating with structure	A	CCSC2674

### Rope

rope - natural	A	CRP970
----------------	---	--------

### LED Source

24V, LED, 7W, 2700K, 895lm, RA80+, DIM	A	LEDS1909
--	---	----------

## **Dimmable version**

non-dimmable version	A	CEDV1457
RF system - remote control version	A	CEDV1461
PWM signal	A	CEDV1459
1-10V	A	CEDV1460
DALI version	A	CEDV1458
AC phase-cut	A	CEDV1730