



Description

The Memory collection awakens the imagination and beckons back to a carefree childhood. The wall and ceiling versions in different sizes, the wide range of color options, and a selection of finishes give this lighting experience a large degree of versatility.



Tech. description

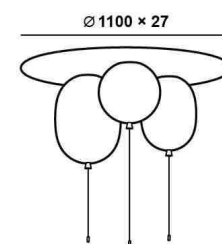
The light consists of a metal ceiling mount with E27 light source socket and a glass shade with bayonet system. The E27 socket has an integrated switch for manual control.

Colours options: https://brokis.sharepoint.com/:b:/s/brokis_sp/Ec8uCdOgjptDt6WeYI59ZbQB-XbHg8gRGkOiu8J7RM9DKQ

CONSTRUCTION SPECIFICATION

Weight:	9.4 kg
Construction material:	glass, metal, MDF
Cord length [mm]:	-
Mounting:	Ceiling
Environment:	Indoor

DIMENSIONS [mm]



ELECTRICAL SPECIFICATION

Input voltage [V]:	230 V
Frequency [Hz]:	50-60 Hz
Max. power [W]:	3 x 60 W
Coverage IP:	20
Socket:	3 x E27
Light source:	-
Energy class:	A+ to E depending on light source

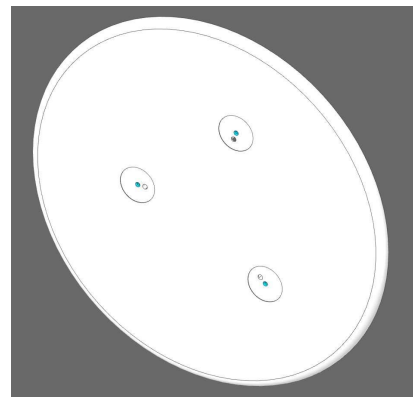
CERTIFICATIONS



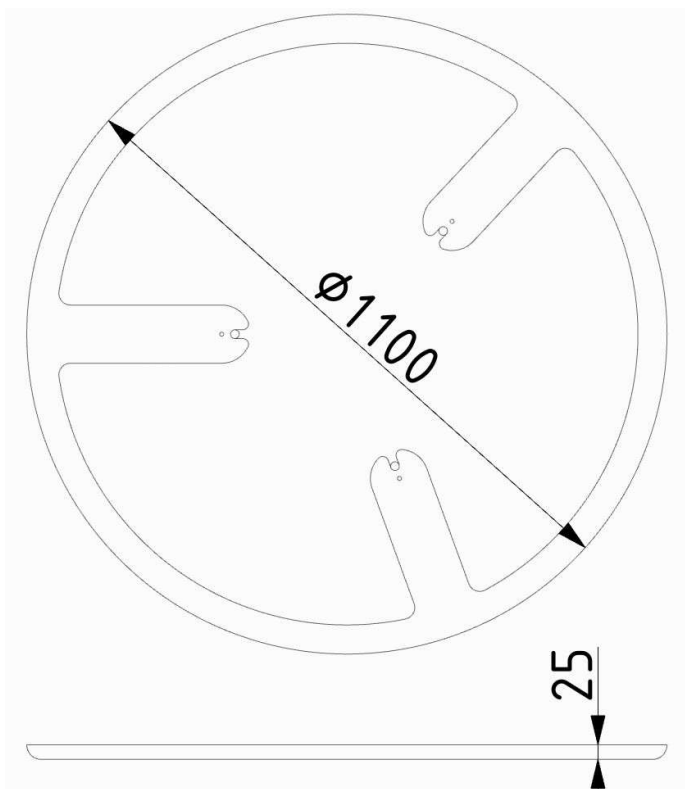


INNER FIXTURE

Dimensions O x w [mm] 1100 x 25 mm
Weight [kg] 7.6 kg
Material MDF



Drawing



Hole placement

