



## Description

The Memory collection awakens the imagination and beckons back to a carefree childhood. The wall and ceiling versions in different sizes, the wide range of color options, and a selection of finishes give this lighting experience a large degree of versatility.

## Tech. description

The light consists of a metal ceiling mount with E27 light source socket and a glass shade with bayonet system. The E27 socket has an integrated switch for manual control.

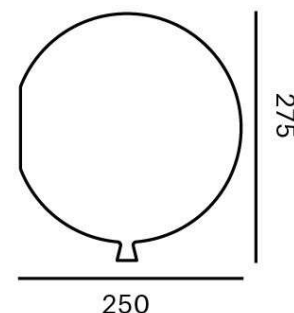


Colours options: [https://brokis.sharepoint.com/:b:/s/brokis\\_sp/ERllaTnkCqtGI2AQywcI-LQBcUyOd9YiyND4IU\\_\\_oG99dw](https://brokis.sharepoint.com/:b:/s/brokis_sp/ERllaTnkCqtGI2AQywcI-LQBcUyOd9YiyND4IU__oG99dw)

## CONSTRUCTION SPECIFICATION

<b>Weight:</b>	2.1 kg
<b>Construction material:</b>	glass, metal
<b>Cord length [mm]:</b>	-
<b>Mounting:</b>	Wall
<b>Environment:</b>	Indoor

## DIMENSIONS [mm]



## ELECTRICAL SPECIFICATION

<b>Input voltage [V]:</b>	230 V
<b>Frequency [Hz]:</b>	50-60 Hz
<b>Max. power [W]:</b>	60 W
<b>Coverage IP:</b>	20
<b>Socket:</b>	E27
<b>Light source:</b>	-
<b>Energy class:</b>	A+ to E depending on light source

## CERTIFICATIONS



# DATASHEET

## RECOMENDED CANOPY



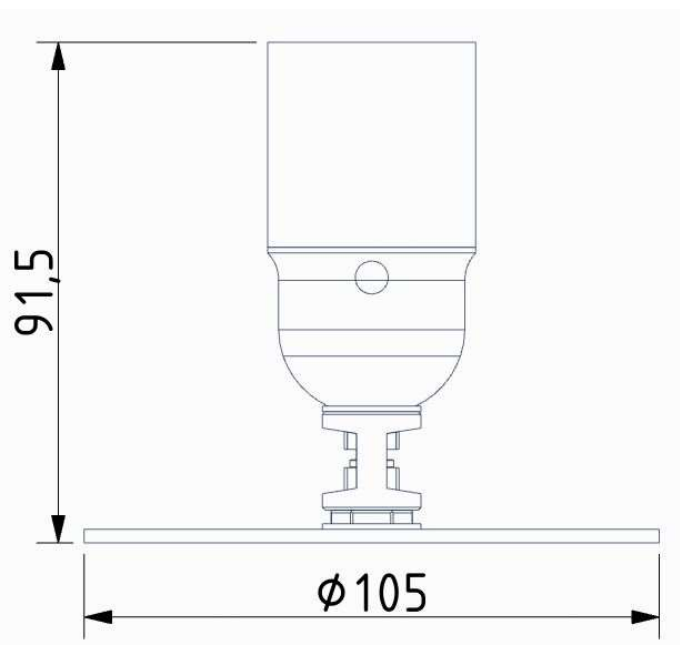
Download

### CEILING CANOPY

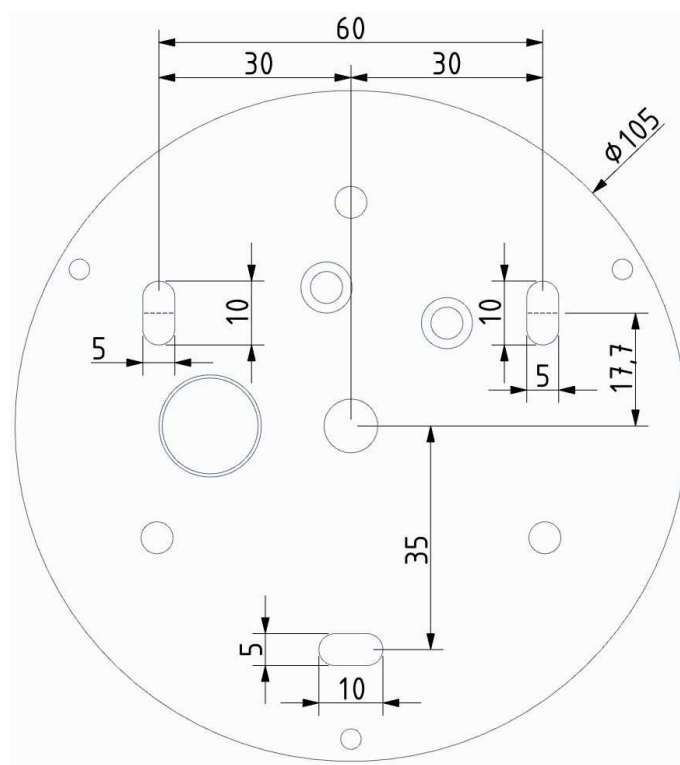
Dimensions O x w [mm]	105 x 91.5 mm
Weight [kg]	0.2 kg
Material	metal



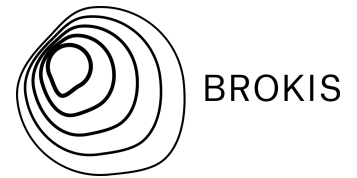
### Drawing



### Canopy bracket



# PRODUCT LIST



**Name** MEMORY WALL 250

**Type** wall lamp

**ID** PC881



**Description** The Memory collection awakens the imagination and beckons back to a carefree childhood. The wall and ceiling versions in different sizes, the wide range of color options, and a selection of finishes give this lighting experience a large degree of versatility. The illusion of inflated balloons is flawless right down to the dangling string, which serves to switch the light on and off. This is beauty in its simplest and most persuasive form. The Memory collection consists of ceiling and wall versions in three sizes. There are also sets that allow multiple lights to be combined on a single ceiling canopy. Unlike the other collections, Memory are not supplied with a light source.

**Technical description** The craftsmanship applied in production follows in the centuries-old tradition and experience of master glassmakers. The precision crafting of hand-blown glass instills distinctive, enduring character and outstanding quality in all Brokis products. The glass shades are formed from multiple layers of molten glass, each of which is scrutinized by the master glassmaker prior to being blown into the mold. Up to 70% of the resulting quality is achieved in this stage of production. The triplex opal glass used in the production of the lampshade represents one of the highest quality materials used in the lighting industry. The sandwich combination of two transparent outer layers of crystal and an inner layer of white opal glass between them lend the glass outstanding optical properties, as do the carefully guarded handcraft techniques.

## **Glass Colour**

triplex opal	A	CGC39
grey - triplex opal	B	CGC617
light pink - triplex opal	B	CGC30
red - triplex opal	B	CGC579
orange - triplex opal	B	CGC580
yellow - triplex opal	B	CGC47
green apple - triplex opal	B	CGC578
turquoise - triplex opal	B	CGC601
blue - triplex opal	B	CGC28

## **Glass surface**

glossy surface	A	CGSU66
acid-etched both side surface	A	CGSU881

## **Body finish**

iron chromate - silver	A	CCS620
------------------------	---	--------

## **End caps**

light switch - black	A	CEE778
light switch - white	A	CEE777