



Description

The timeless Muffins collection represents an extraordinary lighting experience. Since its market debut, it has taken on an iconic status and become a symbol of the Brokis brand. The sublimity of the design lies in the masterful combination of delicately contoured glass and solid wood.

Tech. description The lamp consists of a solid wooden base, which houses the bulb socket, and a glass shade.

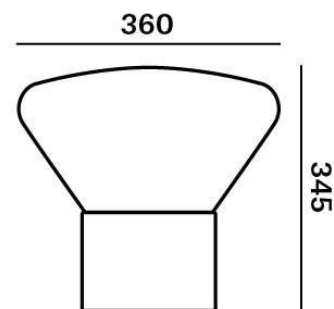


Colours options: https://brokis.sharepoint.com/:b:/s/brokis_sp/ERwqZ903TApOp1gcBK8m-88BVi8lqiGfpcpyWrWEIhhjrA

CONSTRUCTION SPECIFICATION

Weight:	5kg
Construction material:	glass, wood, metal
Cord length [mm]:	2,240 mm
Mounting:	Table
Environment:	Indoor

DIMENSIONS [mm]



ELECTRICAL SPECIFICATION

Input voltage [V]:	230 V
Frequency [Hz]:	50-60 Hz
Max. power [W]:	60 W
Coverage IP:	20
Socket:	E27
Light source:	-
Energy class:	A+ to E depending on light source

CERTIFICATIONS

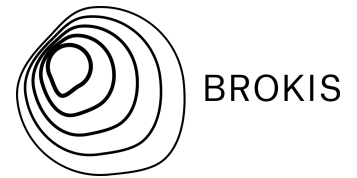




Bulb filament 6W 350lm 220-240V SEGULA Muffins E27

Socket	E27
Type	LED filament
Lamp wattage [W]	6 W
Input voltage [V]	220 - 240 VAC
Energy class	A
Flux [lm]	350 lm
Light colour [K]	2200 K
CRI	90+
Lifespan [h]	20000h
Dimmable	yes
Dimensions h x w [mm]	145 x 65 mm

PRODUCT LIST



Name MUFFINS WOOD 01

Type table lamp, floor lamp

ID PC849



Description The timeless Muffins collection represents an extraordinary lighting experience. Since its market debut, it has taken on an iconic status and become a symbol of the Brokis brand. The sublimity of the design lies in the masterful combination of delicately contoured glass and solid wood. The lights, featuring a billowing glass shade set in a handcrafted wood base together with a naked filament bulb, breathe new life into any space and elicit a festive ambience. The collection offers multiple shape and size variants as well as a broad palette of glass colours and woods.

Technical description The craftsmanship applied in production follows in the centuries-old tradition and experience of master glassmakers. The precision crafting of hand-blown glass instills distinctive, enduring character and outstanding quality in all Brokis products. The glass shades are formed from multiple layers of molten glass, each of which is scrutinized by the master glassmaker prior to being blown into the mold. Up to 70% of the resulting quality is achieved in this stage of production. No less attention to detail is paid in handcrafting the wooden elements of the light. Each piece is individually processed by the artisan in a series of strictly observed production stages. We take special care in selecting quality fine wood and ecologically friendly materials to treat it with.

Glass Colour

transparent glass	A	CGC23
smoke grey - transparent glass	A	CGC516
smoke brown - transparent glass	A	CGC538
opaline - transparent glass	A	CGC38
triplex opal	A	CGC39
amber - transparent glass	A	CGC515
cognac - transparent glass	A	CGC540
violet - transparent glass	A	CGC554
aubergine – transparent glass	C	CGC2753
olive green - transparent	C	CGC2738
sunset pink – transparent glass	C	CGC2752

Glass surface

glossy surface	ALL	CGSU66
----------------	-----	--------

Body finish

European oak - untreated	A	CCS657
European oak - clear coat	A	CCS972
European oak - natural waxed	A	CCS518
European oak - stained black	B	CCS592
European oak - stained white	B	CCS680
American walnut - natural waxed	C	CCS757
wenge	C	CCS2739
high gloss - cheeky raspberry	C	CCS2764
high gloss - conservative grey	C	CCS2765
satinated grigio talami marble	D	CCS2740
satinated rosso francia marble	D	CCS2742
rosewood	E	CCS2741

Cable colour

textile cable - black	A	CECL519
textile cable - white	A	CECL521
textile cable - dark grey	A	CECL520
textile cable - light grey	A	CECL1918
textile cable - red	A	CECL530
textile cable - yellow	A	CECL606

Recommended Bulbs

230V, LED, E27, 6W, 2200K, 350lm, RA90, 360°, DIM	A	CEB784
---	---	--------