



Description

Night Birds differ from the other collections in the unique technology applied in production, which involves melting glass into a mold and then bending it. The process makes it possible to instill delicate nuances in the shape of the wings and achieve a coloration of the glass that is different and wholly unique each time



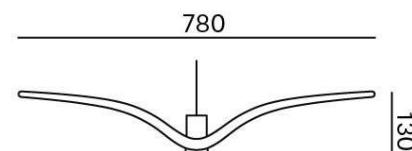
Tech. description The light consists of a metal section with lead cable and GZ10 light source socket. The glass element is suspended from the metal section. The light includes a metal ceiling canopy.

Colours options: https://brokis.sharepoint.com/:b/s/brokis_sp/EcSaGJfMhmIDmVJNueFQJQwBNZIWpHRYonT2YJWoxEig

CONSTRUCTION SPECIFICATION

Weight:	2 kg
Construction material:	glass, metal
Cord length [mm]:	2,000 mm
Mounting:	Ceiling
Environment:	Indoor

DIMENSIONS [mm]



ELECTRICAL SPECIFICATION

Input voltage [V]:	230 V
Frequency [Hz]:	50-60 Hz
Max. power [W]:	10 W
Coverage IP:	20
Socket:	GZ10
Light source:	-
Energy class:	A+ to B depending on light source

CERTIFICATIONS





CM3037

Socket	GU10
Type	LED
Lamp wattage [W]	5 W
Input voltage [V]	220 - 240 VAC
Energy class	A+
Flux [lm]	336 lm
Light colour [K]	2700 K
CRI	90+
Lifespan [h]	25000h
Dimmable	yes
Dimensions h x w [mm]	55 x 50 mm

DATASHEET

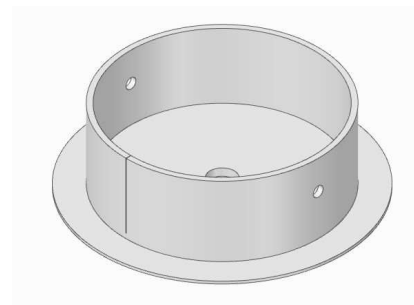
RECOMENDED CANOPY



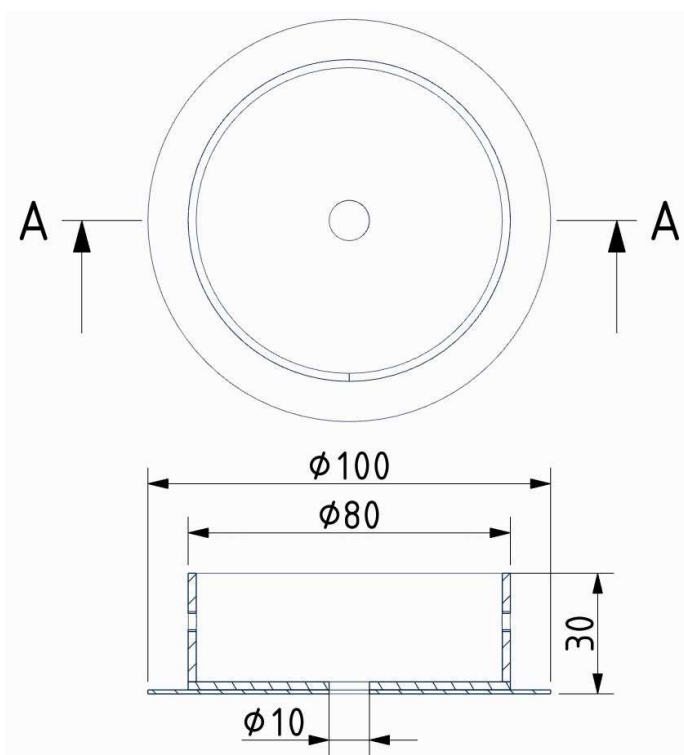
Download

CEILING CANOPY

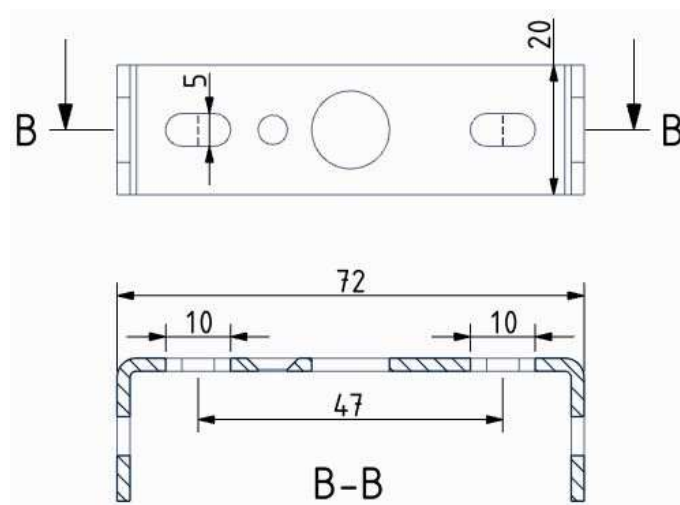
Dimensions $O \times w$ [mm] 100 x 30 mm
Weight [kg] 0,25 kg
Material metal



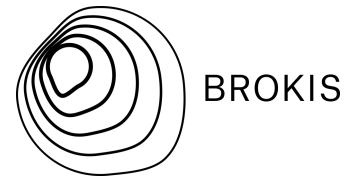
Drawing



Canopy bracket



PRODUCT LIST



Name NIGHT BIRDS PENDENT

Type pendent lamp

ID PC962



Description Inspired by the abandon and freedom of bird flight, the innovative Night Birds suspension lights impart poetic enchantment and unparalleled dynamism to any interior. Night Birds differ from the other collections in the unique technology applied in production, which involves melting glass into a mold and then bending it. The process makes it possible to instill delicate nuances in the shape of the wings and achieve a coloration of the glass that is different and wholly unique each time. The collection's restraint and directness are underscored by the minimalist LED light source set in a body of lacquered and polished aluminum. Night birds comprises three lights with different wing attitudes depicting the various phases of bird flight. The lights are available in white and dark variants. Night Birds work best in large flocks.

Technical description The technologies applied in the Night Birds collection are based on the principles of recycling, sustainability, and eco-friendly production. The base material used in making the lights is the waste glass generated in the production of other Brokis collections. The recycled glass material is subjected to several stages of processing combining traditional glassmaking techniques (hand grinding, sandblasting) with modern ones (melt molding, waterjet cutting, mold shaping) and resulting in a unique product that embodies both tradition and modernity. Each piece is an unrepeatably original with its own story. At the center of the Night Birds lights is an adjustable, hand-hatched aluminum body that serves to house the light source.

Glass Colour

opal - opaque glass - massif	A	CGC772
smoke grey - massif	A	CGC882
smoke grey BROKISGLASS matte	A	CGC1480
triplex opal BROKISGLASS matte	A	CGC1478

Body finish

aluminium	A	CCS775
-----------	---	--------

Canopy finish

aluminium	A	CCSC843
-----------	---	---------

Cable colour

textile cable - black	A	CECL519
textile cable - white	A	CECL521
textile cable - light grey	A	CECL1918
transparent cable	A	CECL149

Recommended Bulbs

230V, GU10, 5W, 2700K, 336lm, RA90, 100°, DIM	A	CEB825
---	---	--------