

DATASHEET

Type: **ORBIS**
Name: Pendant light
ID: PC1289
Designed by: Lucie Koldová



Download

Description

The Orbis collection is based on a universal shape rendered in handblown smoke glass that has been abruptly severed across the top to accommodate an elegant multiangular metal fixture. Rich in ambience yet starkly minimalist, these new atmospheric lights embody a sense of technicism. A diffusor conceals an LED panel within the fixture and softens the light as it radiates outwards from its source, while the multiangle serves to house a special BROKIS connector engineered for easy installation and arrangement of grand lighting compositions. Additional variability is provided by a choice of subtle grey or brown smoke glass, with the metal fixture finished in a black powder coating that underscores the gloss of the transparent glass. These refined components come together to create an unmistakable interior charm well suited to large restaurant and hotel spaces as well as intimate private interiors.



Tech. description

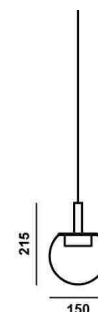
The luminaire consists of a glass shade, metal frame with Brokis connector and LED module, metal caps and power cable with Brokis connector. The luminaire is mounted on a ceiling canopy, in which the electronics are stored.

Colours options: https://brokis.sharepoint.com/:b:/s/brokis_sp/ETGM7zk61ddChsRO7znI7bUBkCW2A9HBBvpIKQQYK4y4uw

CONSTRUCTION SPECIFICATION

Weight: 2.5 kg
Construction material: glass, metal
Cord length [mm]: 2,200 mm
Mounting: Ceiling
Environment: Indoor

DIMENSIONS [mm]



ELECTRICAL SPECIFICATION

Input voltage [V]: 100 - 240 V
Frequency [Hz]: 50-60 Hz
Max. power [W]: 3.4 W
Coverage IP: 20
Socket: LED module
Light source: -
Energy class: E

CERTIFICATIONS



BROKIS S.R.O.
ŠPANILOVA 1315/25
163 00 PRAHA 6 - ŘEPY
CZECH REPUBLIC

ORG ID 64940799
VAT ID CZ64940799
C 42174 MĚSTSKÝ SOUD
V PRAZE

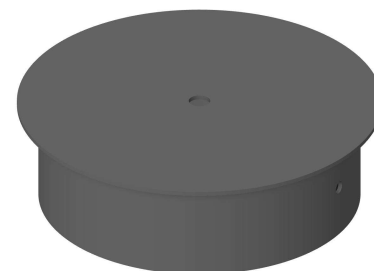
TEL +420 567 211 517
TECHNICAL@BROKIS.CZ
INFO@BROKIS.CZ
WWW.BROKIS.CZ

2022_03
PAGE 1

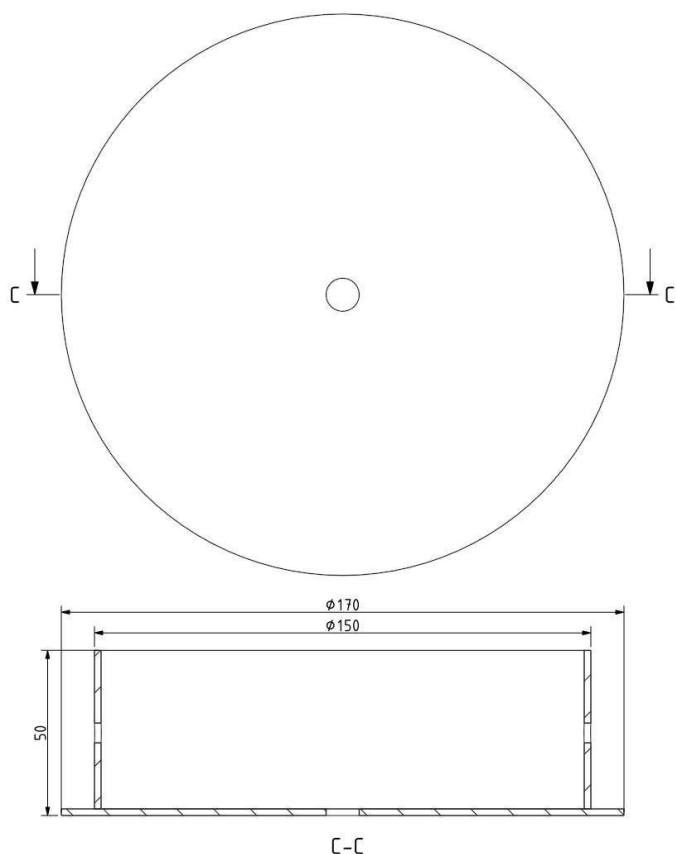


INNER FIXTURE

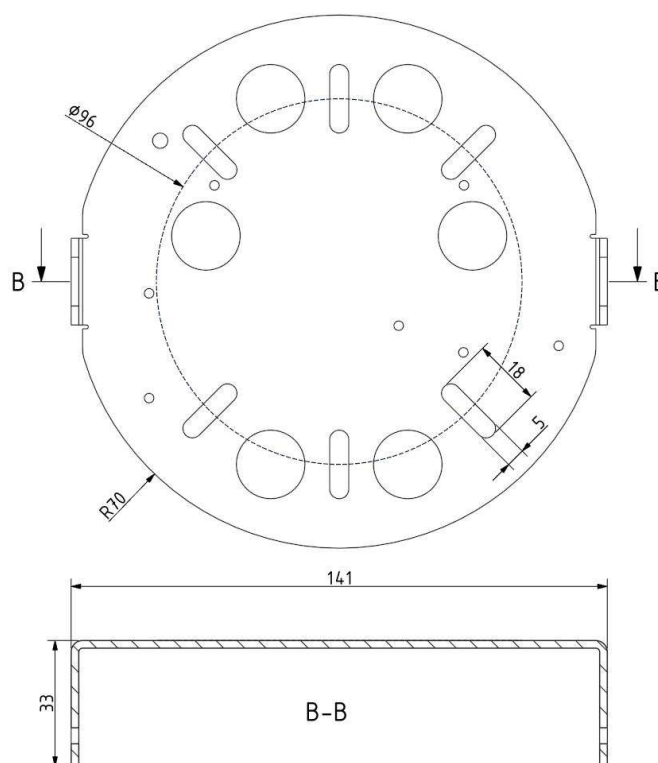
Dimensions O x w [mm] 170 x 50 mm
Weight [kg] 1.2 kg
Material metal



Drawing



Hole placement



PRODUCT INFORMATION SHEET



Name	ORBIS 150
Type	pendent lamp
ID	PC1289



Description

The Orbis collection is based on a universal shape rendered in handblown smoke glass that has been abruptly severed across the top to accommodate an elegant multiangular metal fixture. Rich in ambience yet enticingly minimalist, these new atmospheric lights embody a sense of technicism. A diffusor conceals an LED panel within the fixture and softens the light as it radiates outwards from its source, while the multiangle serves to house a special BROKIS connector engineered for easy installation and arrangement of grand lighting compositions. Additional variability is provided by a choice of subtle grey or brown smoke glass, with the metal fixture finished in a black powder coating that underscores the gloss of the transparent glass. These refined components come together to create an unmistakable interior charm well suited to large restaurant and hotel spaces as well as intimate private interiors. Now available with glass in one of several colour options, each of which is paired with metal components in a predetermined corresponding colour.

Technical description

The technologies applied in production follow in the centuries-old tradition and experience of master glassmakers. The precision crafting of handblown glass instils distinctive, enduring character and outstanding quality in all BROKIS products. The glass shades are formed from multiple layers of molten glass, each of which is scrutinized by the master glassmaker prior to being blown into the mould. This phase of production is responsible for up to 70% of the resulting quality of the product. Orbis lights are equipped with special connectors developed by BROKIS for easy maintenance and quick changes to lighting compositions without the need for accessing building wiring or altering other interior features. The collection is dimmable for quick and easy adjustment of the lighting ambience.

Glass Colour

smoke grey - transparent glass	A	CGC516
transparent glass	A	CGC23
light pink - transparent glass	A	CGC46
amber - transparent glass	A	CGC515
light smoke brown - transparent glass	A	CGC2889

Glass surface

glossy surface	A	CGSU66
----------------	---	--------

Body finish

metal - black matte powder coating	A	CCS846
metal - grey-beige matte powder coat	A	CCS2910
metal - pink matte powder coating	A	CCS2891
metal - okra matte powder coating	A	CCS2893
metal - khaki matte powder coating	A	CCS2895

Canopy finish

metal - black matte powder coating	A	CCSC619
metal - grey-beige matte powder coat	A	CCSC2909
metal - pink matte powder coating	A	CCSC2890
metal - okra matte powder coating	A	CCSC2892
metal - khaki matte powder coating	A	CCSC2894
Trimless - cable version - white structure	A	CCSC2903
Trimless - cable version - black structure	A	CCSC2904

Connection method

BROKIS connector 24V	A	CCM1019
----------------------	---	---------

Connection method

Cable colour

textile cable - black	A	CECL519
textile cable - light grey	A	CECL1918

LED Source

DIM, 24V, LED, 4.6W, 2700K, 538lm, RA90+	A	LEDS2866
DIM (TW), 24V, LED, 4.6W, 2700K-6500K, 538lm-577lm, RA90+	A	LEDS2941

Dimmable version

non-dimmable version	A	CEDV1457
DIM RF system - remote control version	A	CEDV1461
DIM PWM signal	A	CEDV1459
DIM 1-10V	A	CEDV1460
DIM DALI version	A	CEDV1458
DIM AC phase-cut	A	CEDV1730
DIM CASAMBI CBU-PWM4	A	CEDV2854
DIM (TW) CASAMBI CBU-PWM4	A	CEDV2942
DIM (TW) DALI version	A	CEDV2944