

# DATASHEET

Type: **PRISMA**  
Name: Pendant light  
ID: PC1315  
Designed by: Lucie Koldová



Download

## Description

The dominant feature of the Prisma collection is an extravagant metal fixture with a distinctive finish. Classic handblown glass spheres are anchored to either one or both ends of a robust decagonal metal prism that lends the collection its name. The shape in combination with the striking surface reflect light at different and unexpected angles, like a prism. With a choice of three different elegant finishes – brushed steel, galvanized yellow zinc gloss, or galvanized yellow zinc matte – the light is a bold artistic object in the interior offering unique vertical, horizontal, and diagonal compositions with subtle colourful reflections. The collection consists of a horizontal pendant light with two dual glass spheres and a vertical pendant light with a single glass sphere, both of which hang from wire ropes. Another typological variant is an impressive floor light, a majestic light sculpture in the form of a robust upright decagon topped with a luminous glass sphere.



## Tech. description

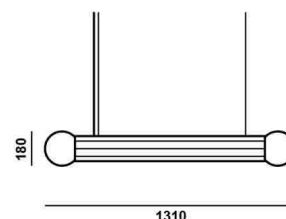
The light comes in horizontal and vertical variants. The horizontal variant features dual LED modules with diffusers and glass shades. The vertical variant is fitted to the bottom of a metal fixture. The electronics are concealed within the ceiling canopy.

Colours options: [https://brokis.sharepoint.com/:b/s/brokis\\_sp/ETxs6S92unRNhHU-cg\\_qroMBZ8dGAnCgx8N1U\\_12MJIPHw](https://brokis.sharepoint.com/:b/s/brokis_sp/ETxs6S92unRNhHU-cg_qroMBZ8dGAnCgx8N1U_12MJIPHw)

## CONSTRUCTION SPECIFICATION

**Weight:** 10.5 kg  
**Construction material:** glass, metal  
**Cord length [mm]:** 2,200 mm  
**Mounting:** Ceiling  
**Environment:** Indoor

## DIMENSIONS [mm]



## ELECTRICAL SPECIFICATION

**Input voltage [V]:** 100 - 240 V  
**Frequency [Hz]:** 50-60 Hz  
**Max. power [W]:** 12 W  
**Coverage IP:** 20  
**Socket:** LED module  
**Light source:** -  
**Energy class:** E

## CERTIFICATIONS

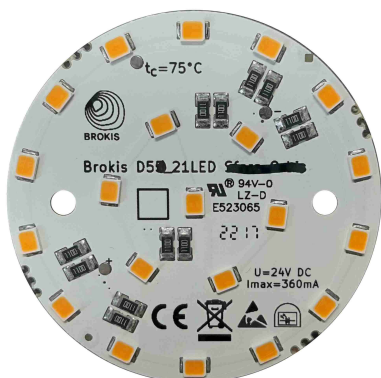


BROKIS S.R.O.  
ŠPANILOVA 1315/25  
163 00 PRAHA 6 - ŘEPY  
CZECH REPUBLIC

ORG ID 64940799  
VAT ID CZ64940799  
C 42174 MĚSTSKÝ SOUD  
V PRAZE

TEL +420 567 211 517  
TECHNICAL@BROKIS.CZ  
INFO@BROKIS.CZ  
WWW.BROKIS.CZ

2022\_10  
PAGE 1



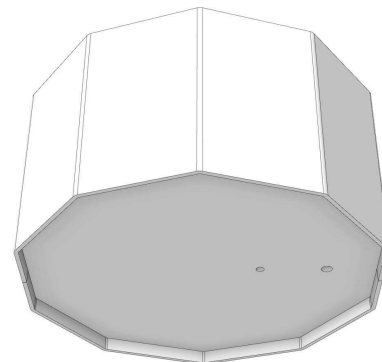
**CM15124**

<b>Type</b>	LED module
<b>Lamp wattage [W]</b>	6 W
<b>Input voltage [V]</b>	24 VDC
<b>Energy class</b>	E
<b>Flux [lm]</b>	683 lm
<b>Light colour [K]</b>	2700 K
<b>CRI</b>	90+
<b>Dimmable</b>	yes

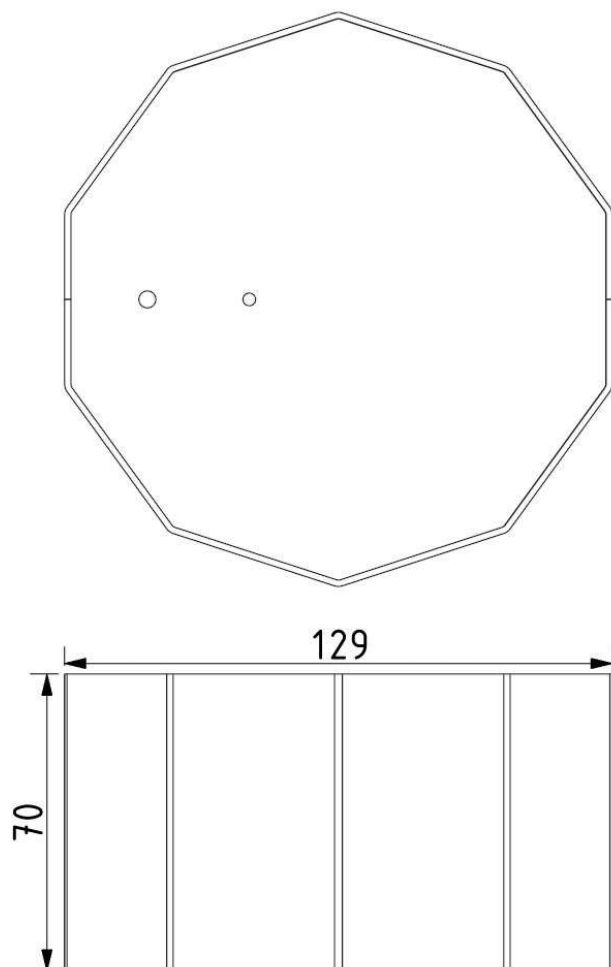


### INNER FIXTURE

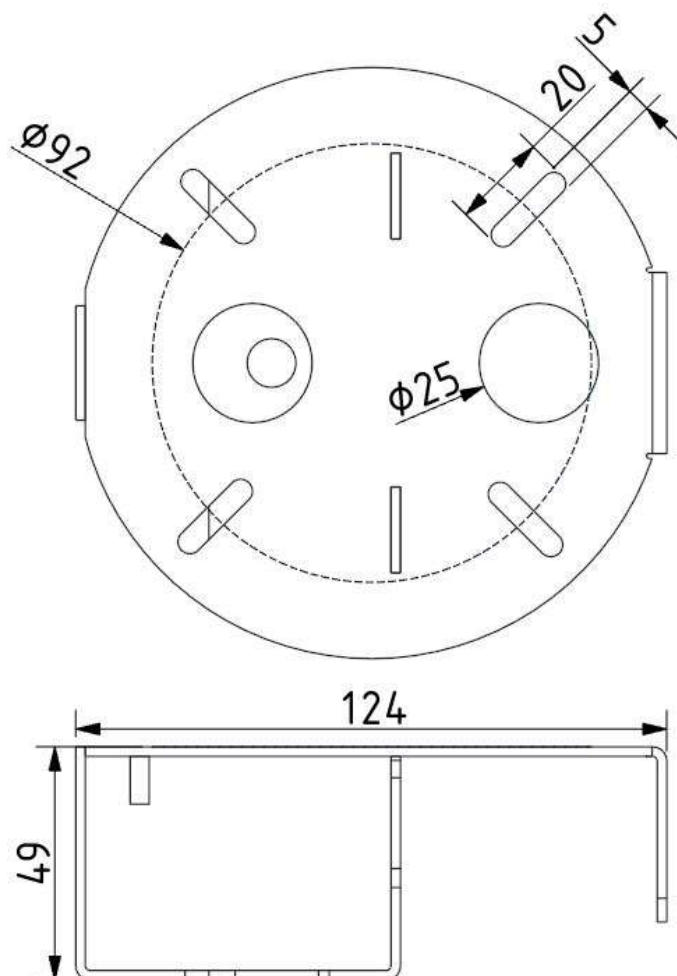
Dimensions O x w [mm] 129 x 70 mm  
Weight [kg] 1 kg  
Material metal



### Drawing



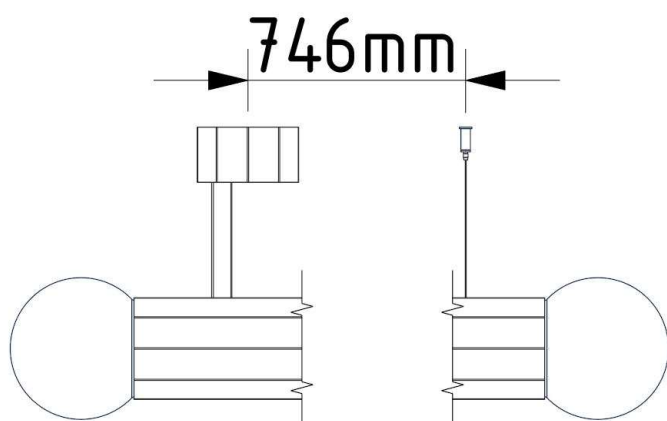
### Hole placement





**Suspension spacing:** 746 mm

### Drawing



# PRODUCT INFORMATION SHEET



**Name** PRISMA PENDENT DOUBLE LARGE 1000

**Type** pendent lamp

**ID** PC1315



**Description** The dominant feature of the Prisma collection is an extravagant metal fixture with a distinctive finish. Classic handblown glass spheres are anchored to either one or both ends of a robust decagonal metal prism that lends the collection its name. The shape in combination with the striking surface reflect light at different and unexpected angles, like a prism. With a choice of two different elegant finishes – brushed steel or yellow zinc lacquer – the light is a bold artistic object in the interior offering unique vertical, horizontal, and diagonal compositions with subtle colourful reflections. The collection consists of a horizontal pendent light with two dual glass spheres and a vertical pendent light with a single glass sphere, both of which hang from wire ropes. Another typological variant is an impressive floor light, a majestic light sculpture in the form of a robust upright decagon topped with a luminous glass sphere. The structured finish on the metal fixture is one of the defining traits of the collection, and together with transparent glass or grey smoke glass constitutes a jewel with which to adorn private interiors as well as hotels and restaurants.

**Technical description** The technologies applied in production follow in the centuries-old tradition and experience of master glassmakers. The precision crafting of handblown glass instils distinctive, enduring character and outstanding quality in all BROKIS products. The glass lampshades are formed from multiple layers of molten glass, each of which is scrutinized by the master glassmaker prior to being blown into the mould. The metal parts are made of high-grade steel plate. The zinc finishes are galvanized, which creates a textured surface, one of the defining features of the collection. The subtle, almost invisible welds are a testament to the superior craftsmanship of BROKIS lights.

## **Glass Colour**

transparent glass	A	CGC23
smoke grey - transparent glass	A	CGC516

## **Glass surface**

glossy surface	A	CGSU66
----------------	---	--------

## **Body finish**

Yellow zinc lacquer	A	CCS2964
Brushed steel lacquered	A	CCS2887

## **Canopy finish**

Yellow zinc lacquer	A	CCSC2965
Brushed steel lacquered	A	CCSC2888

## **Cable colour**

coaxial cable - silver	A	CECL2772
------------------------	---	----------

## **LED Source**

24V, LED, 6W, 2700K, 683lm, RA90, DIM	A	LEDS2901
---------------------------------------	---	----------

## **Dimmable version**

non-dimmable version	A	CEDV1457
DIM RF system - remote control version	A	CEDV1461
DIM PWM signal	A	CEDV1459
DIM 1-10V	A	CEDV1460
DIM DALI version	A	CEDV1458
DIM AC phase-cut	A	CEDV1730
DIM CASAMBI CBU-PWM4	A	CEDV2854