

DATASHEET

Type: **PURO SOLO**
Name: Pendant light
ID: PC1127
Designed by: Lucie Koldová



Download

Description

Puro je odvážně minimalistická variace na atmosférická závěsná svítla. Inspirací pro sbírku a její název je španělské slovo „doutník“, což také znamená „puro“ a je odkazem na čisté linie kompozice

Tech. description

Svítilno je složeno ze skleněného tubusu, LED zdroje a duralových patič které drží kompaktnost svítidla. Tato sestava je připojena k baldachýnu pomocí kabelu s konektorem Brokis.

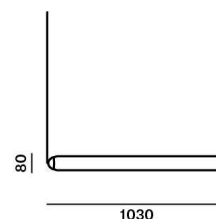


Colours options: https://brokis.sharepoint.com/:b:/s/brokis_sp/ESjDWcbbIGIFk7_vHpX4iqEBahw2jvzgcJhnty0BNz-_rg

CONSTRUCTION SPECIFICATION

Hmotnost: 4.9 kg
Použité materiály: sklo, kov
Délka připojovacího vodiče: 2,000 mm
Montáž: Strop
Prostředí: vnitřní

DIMENSIONS [mm]



ELECTRICAL SPECIFICATION

Jmenovité napětí: 100 - 240 V
Frekvence: 50-60Hz
Max. příkon: 20 W LED
Krytí IP: 20
Patice: -
Světelný zdroj: uživatelem nevyměnitelný LED modul
Energetická třída: A+

CERTIFICATIONS



BROKIS®

BROKIS S.R.O.
ŠPANILOVA 1315/25
163 00 PRAHA 6 - ŘEPY
CZECH REPUBLIC

ORG ID 64940799
VAT ID CZ64940799
C 42174 MĚSTSKÝ SOUD
V PRAZE

TEL +420 567 211 517
TECHNICAL@BROKIS.CZ
INFO@BROKIS.CZ
WWW.BROKIS.CZ

2021_02
PAGE 1



CP11814

Type	LED module
Lamp wattage [W]	20 W
Input voltage [V]	24 VDC
Energy class	A+
Flux [lm]	1460 lm
Light colour [K]	2700 K
CRI	80+
Lifespan [h]	20000h
Dimmable	yes (PWM)



DATASHEET

RECOMENDED CANOPY



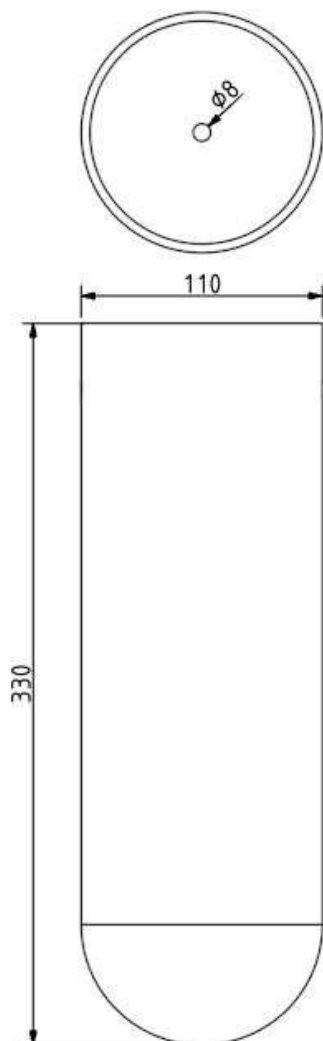
Download

CEILING CANOPY

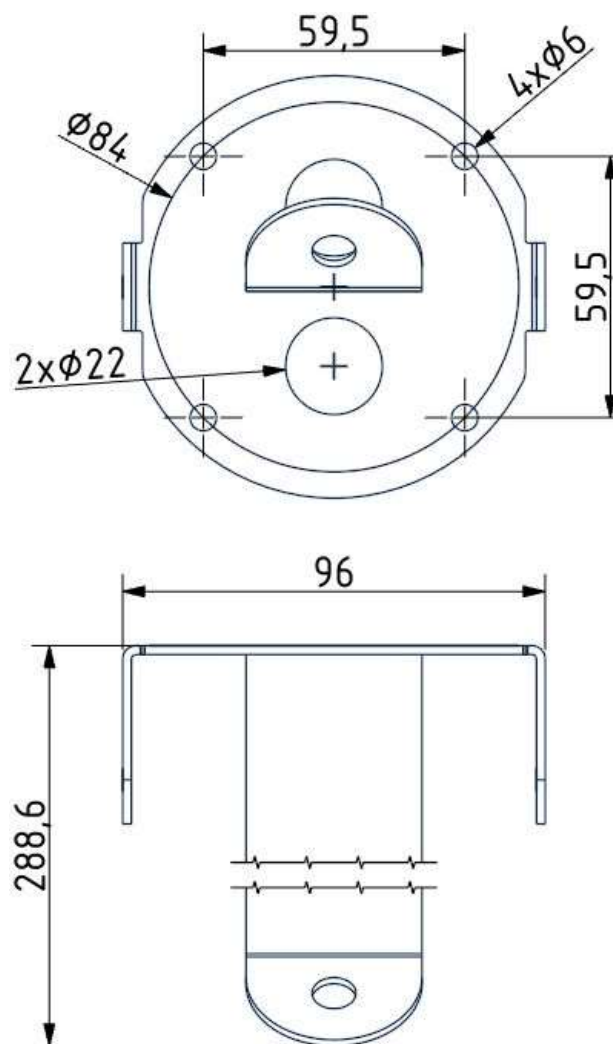
Dimensions O x w [mm] 110 x 330 mm
Weight [kg] 1.3 kg
Material glass



Drawing



Canopy bracket



PRODUCT INFORMATION SHEET



Name PURO SOLO HORIZONTAL 1000

Type pendent lamp

ID PC1127



Description Puro is a boldly minimalistic variation on atmospheric pendant lights. Inspiration for the collection and its name come from the Spanish word for "cigar", which also means "pure" and is a reference to the composition's clean lines. The diffused glow of the tubes to elicit a dynamic ambience, while the alternating gloss and matte finishes provide a degree of provocation. Puro offers atmospheric room lighting as well as lighting for offices, hospitality interiors, boutiques, showrooms and private dining areas.

Technical description The craftsmanship applied in production follows in the centuries-old tradition and experience of master glassmakers. The precision crafting of hand-blown glass instills distinctive, enduring character and outstanding quality in all Brokis products. The glass shades are formed from multiple layers of molten glass, each of which is scrutinized by the master glassmaker prior to being blown into the mold. Up to 70% of the resulting quality is achieved in this stage of production.

Glass Colour

triplex opal	A	CGC39
dark grey - opaline	B	CGC1507

Glass surface

acid-etched both side surface	A	CGSU881
-------------------------------	---	---------

Body finish

metal - black matte powder coating	A	CCS846
metal - white matte powder coating	A	CCS845

Canopy finish

glass - black	A	CCSC2404
glass - white	A	CCSC2403
Trimless – cable version – white structure	A	CCSC2903
Trimless – cable version – black structure	A	CCSC2904

Connection method

BROKIS connector 24V	A	CCM1019
----------------------	---	---------

Connection method

Cable colour

textile cable - black	A	CECL519
textile cable - white	A	CECL521

LED Source

1000mm 24V, LED, 25W, 2700K, 1910lm, RA90+, DIM	A	LEDS1932
1000mm 24V, LED, 25W, 5000K, 2260lm, RA90+, DIM	A	LEDS1934
1000mm 24V, LED, 25W, 4000K, 2115lm, RA90+, DIM	A	LEDS1933

Dimmable version

non-dimmable version	A	CEDV1457
DIM RF system - remote control version	A	CEDV1461
DIM PWM signal	A	CEDV1459
DIM 1-10V	A	CEDV1460
DIM DALI version	A	CEDV1458
DIM AC phase-cut	A	CEDV1730
DIM CASAMBI CBU-PWM4	A	CEDV2854