

DATASHEET

Type: **PURO SOLO**
Name: Pendent light
ID: PC1124
Designed by: Lucie Koldová



Download

Description

Puro is a boldly minimalistic variation on the atmospheric pendent light. Inspiration for the collection and its name comes from the Spanish word for cigar 'puro', which also alludes to the clean lines of the composition.

Tech. description

The light comprises a glass tube, LED source, and dural end caps for a compact visage. The assembly is attached to the ceiling canopy by means of the power cord fitted with a Brokis connector.

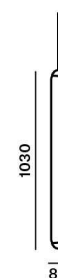


Colours options: https://brokis.sharepoint.com/:b/s/brokis_sp/ESkN2EY_nttFtUrompaigulB21MKMY6YNio2K1UAWzf-XQ

CONSTRUCTION SPECIFICATION

Weight: 4.9 kg
Construction material: glass, metal
Cord length [mm]: 2,000 mm
Mounting: Ceiling
Environment: Indoor

DIMENSIONS [mm]



ELECTRICAL SPECIFICATION

Input voltage [V]: 100 - 240 V
Frequency [Hz]: 50-60 Hz
Max. power [W]: 20 W LED
Coverage IP: 20
Socket: -
Light source: non-user replaceable LED module
Energy class: A+

CERTIFICATIONS



BROKIS®

BROKIS S.R.O.
ŠPANILOVA 1315/25
163 00 PRAHA 6 - ŘEPY
CZECH REPUBLIC

ORG ID 64940799
VAT ID CZ64940799
C 42174 MĚSTSKÝ SOUD
V PRAZE

TEL +420 567 211 517
TECHNICAL@BROKIS.CZ
INFO@BROKIS.CZ
WWW.BROKIS.CZ

2021_02
PAGE 1



CP7057

Type	LED module
Lamp wattage [W]	20 W
Input voltage [V]	24 VDC
Energy class	A+
Flux [lm]	1460 lm
Light colour [K]	2700 K
CRI	80+
Lifespan [h]	20000h
Dimmable	yes (PWM)



DATASHEET

RECOMENDED CANOPY



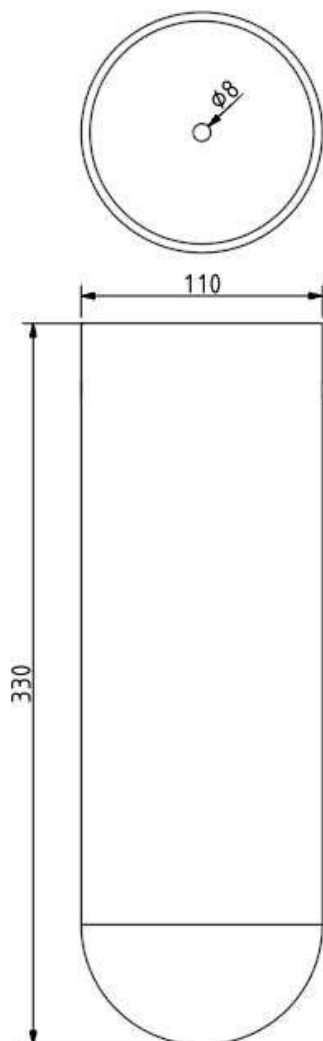
Download

CEILING CANOPY

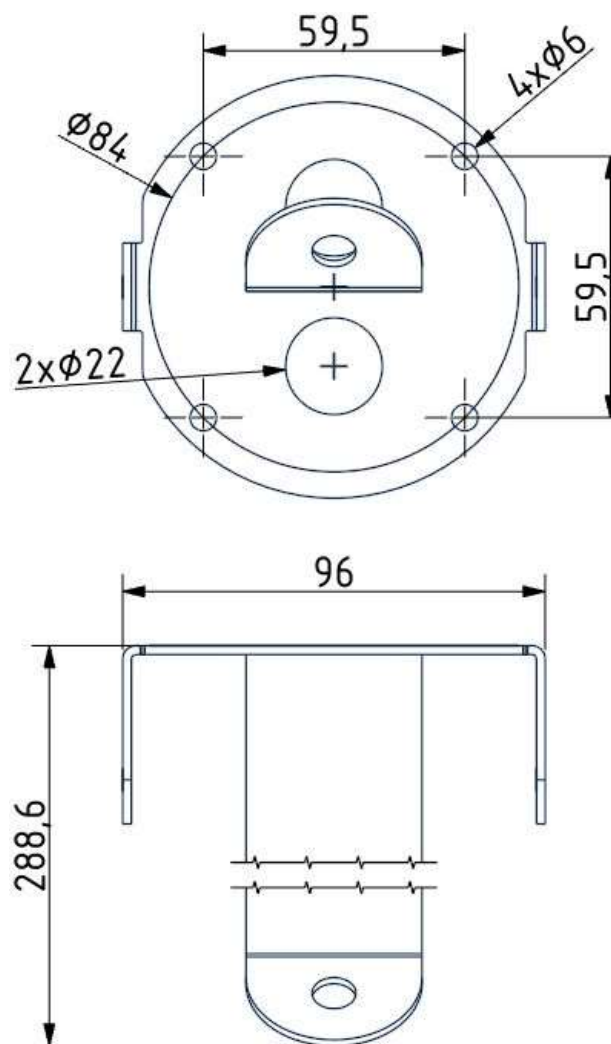
Dimensions O x w [mm] 110 x 330 mm
Weight [kg] 1.3 kg
Material glass



Drawing



Canopy bracket



PRODUCT INFORMATION SHEET



Name PURO SOLO VERTICAL 1000

Type pendent lamp

ID PC1124



Description Puro is a boldly minimalistic variation on atmospheric pendant lights. Inspiration for the collection and its name come from the Spanish word for "cigar", which also means "pure" and is a reference to the composition's clean lines. The diffused glow of the tubes to elicit a dynamic ambience, while the alternating gloss and matte finishes provide a degree of provocation. Puro offers atmospheric room lighting as well as lighting for offices, hospitality interiors, boutiques, showrooms and private dining areas.

Technical description The craftsmanship applied in production follows in the centuries-old tradition and experience of master glassmakers. The precision crafting of hand-blown glass instills distinctive, enduring character and outstanding quality in all Brokis products. The glass shades are formed from multiple layers of molten glass, each of which is scrutinized by the master glassmaker prior to being blown into the mold. Up to 70% of the resulting quality is achieved in this stage of production.

Glass Colour

triplex opal	A	CGC39
dark grey - opaline	B	CGC1507

Glass surface

acid-etched both side surface	A	CGSU881
-------------------------------	---	---------

Body finish

metal - black matte powder coating	A	CCS846
metal - white matte powder coating	A	CCS845

Canopy finish

glass - black	A	CCSC2404
glass - white	A	CCSC2403
Trimless – cable version – white structure	A	CCSC2903
Trimless – cable version – black structure	A	CCSC2904

Connection method

BROKIS connector 24V	A	CCM1019
----------------------	---	---------

Connection method

Cable colour

textile cable - black	A	CECL519
textile cable - white	A	CECL521

LED Source

1000mm 24V, LED, 25W, 2700K, 1910lm, RA90+, DIM	A	LEDS1932
1000mm 24V, LED, 25W, 4000K, 2115lm, RA90+, DIM	A	LEDS1933
1000mm 24V, LED, 25W, 5000K, 2260lm, RA90+, DIM	A	LEDS1934

Dimmable version

non-dimmable version	A	CEDV1457
DIM RF system - remote control version	A	CEDV1461
DIM PWM signal	A	CEDV1459
DIM 1-10V	A	CEDV1460
DIM DALI version	A	CEDV1458
DIM AC phase-cut	A	CEDV1730
DIM CASAMBI CBU-PWM4	A	CEDV2854