



## Description

A sphere as a universal shape, yet whose upper section has been dramatically severed. The clean cut comprises the main characteristic of the Sfera project light – a timeless piece that casts a soft light from within handblown matte opal glass.



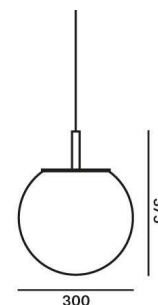
**Tech. description** The light comprises a glass shade, metal body with Brokis connector and E27 socket, metal cap, and power cord with Brokis connector. The light is hung from a ceiling canopy.

Colours options: [https://brokis.sharepoint.com/:b/s/brokis\\_sp/Efx8k6rOfKIJgVgKFYeoqkQBGzaGo6yy-ZSetgGnqsQ7jg](https://brokis.sharepoint.com/:b/s/brokis_sp/Efx8k6rOfKIJgVgKFYeoqkQBGzaGo6yy-ZSetgGnqsQ7jg)

## CONSTRUCTION SPECIFICATION

<b>Weight:</b>	4 kg
<b>Construction material:</b>	glass, metal
<b>Cord length [mm]:</b>	2,000 mm
<b>Mounting:</b>	Ceiling
<b>Environment:</b>	Indoor

## DIMENSIONS [mm]



## ELECTRICAL SPECIFICATION

<b>Input voltage [V]:</b>	230 V
<b>Frequency [Hz]:</b>	50-60 Hz
<b>Max. power [W]:</b>	60 W
<b>Coverage IP:</b>	20
<b>Socket:</b>	E27
<b>Light source:</b>	-
<b>Energy class:</b>	A+ to E depending on light source

## CERTIFICATIONS



# DATASHEET

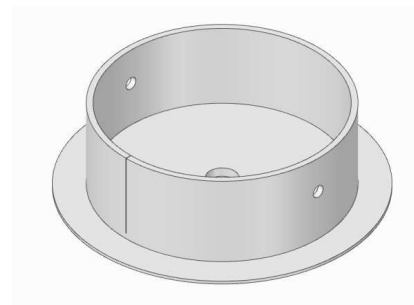
## RECOMENDED CANOPY



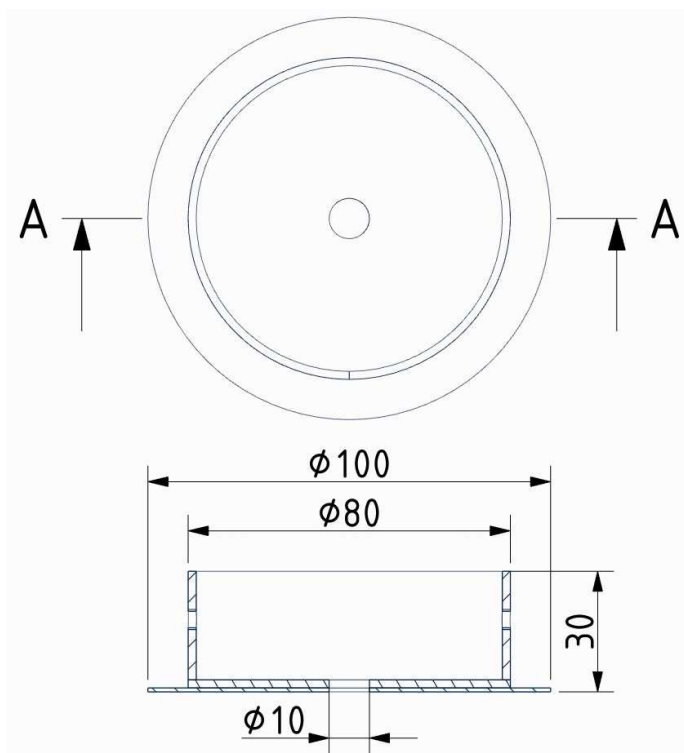
Download

### CEILING CANOPY

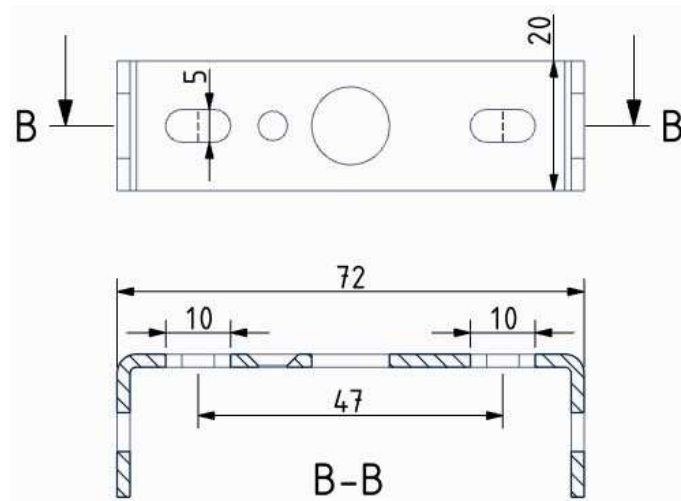
Dimensions O x w [mm]	100 x 30 mm
Weight [kg]	0,25 kg
Material	metal



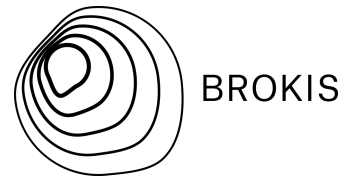
### Drawing



### Canopy bracket



# PRODUCT LIST



**Name** SFERA 300

**Type** pendent lamp

**ID** PC1170



## **Description**

A sphere as a universal shape, yet whose upper section has been dramatically severed. The clean cut comprises the main characteristic of the project light Sfera – a timeless piece that casts a soft light from within handblown matte opal glass. The sphere, affixed to a metal top with a subtle multiangular detail, comes in seven sizes for multiple combinations, thanks to which the collection can be easily configured to meet the specific needs of any architectural or residential project. The Sfera collection features innovative connectors specially developed by Brokis, which allow for easy installation, maintenance, and cleaning. They also make it possible rearrange an installation without having to access building wiring, opening the door to a wide range of possibilities.

## **Technical description**

### **Glass Colour**

triplex opal	A	CGC39
--------------	---	-------

### **Glass surface**

acid-etched both side surface	A	CGSU881
-------------------------------	---	---------

### **Body finish**

iron - black matte powder coating	A	CCS846
-----------------------------------	---	--------

iron - white matte powder coating	A	CCS845
-----------------------------------	---	--------

### **Canopy finish**

iron - black matte powder coating	A	CCSC619
-----------------------------------	---	---------

iron - white matte powder coating	A	CCSC618
-----------------------------------	---	---------

### **Connection method**

BROKIS connector	A	CCM1019
------------------	---	---------

### **Cable colour**

textile cable - black	A	CECL519
-----------------------	---	---------

textile cable - white	A	CECL521
-----------------------	---	---------