



Description

A sphere as a universal shape, yet whose upper section has been dramatically severed. The clean cut comprises the main characteristic of the Sfera project light – a timeless piece that casts a soft light from within handblown matte opal glass.

Tech. description

The light comprises a glass shade, metal body with Brokis connector and E27 socket, metal cap, and power cord with Brokis connector. The light is hung from a ceiling canopy.

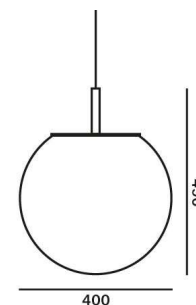


Colours options: https://brokis.sharepoint.com/:b:/s/brokis_sp/EaBdhyOROkpEjoPKVMdEWJUBrdYlo7s8YR_NPc0AiHRm

CONSTRUCTION SPECIFICATION

Weight:	5 kg
Construction material:	glass, metal
Cord length [mm]:	2,000 mm
Mounting:	Ceiling
Environment:	Indoor

DIMENSIONS [mm]



ELECTRICAL SPECIFICATION

Input voltage [V]:	230 V
Frequency [Hz]:	50-60 Hz
Max. power [W]:	60 W
Coverage IP:	20
Socket:	E27
Light source:	-
Energy class:	A+ to E depending on light source

CERTIFICATIONS



DATASHEET

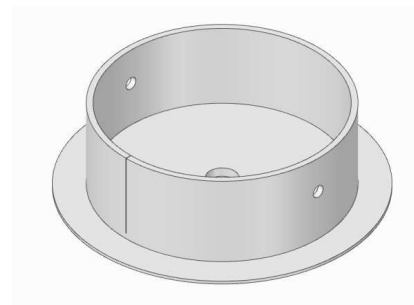
RECOMENDED CANOPY



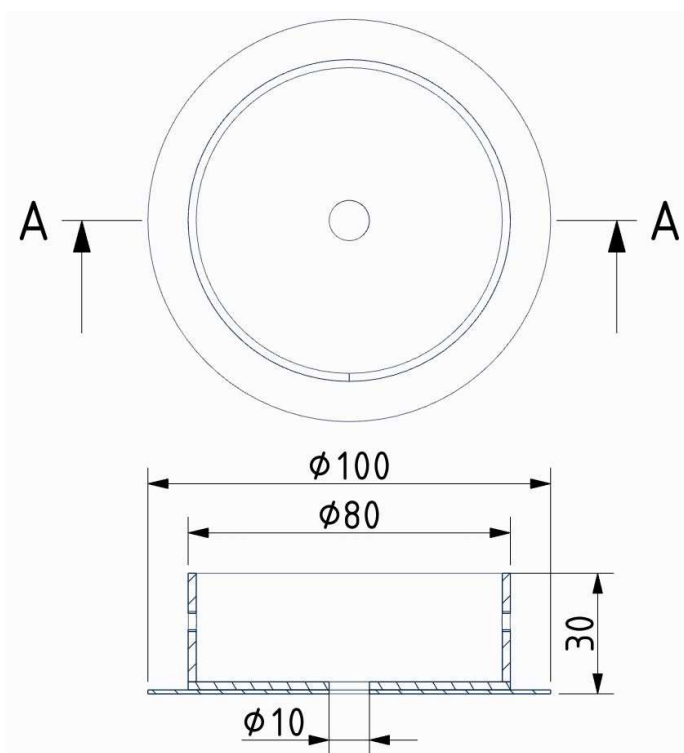
Download

CEILING CANOPY

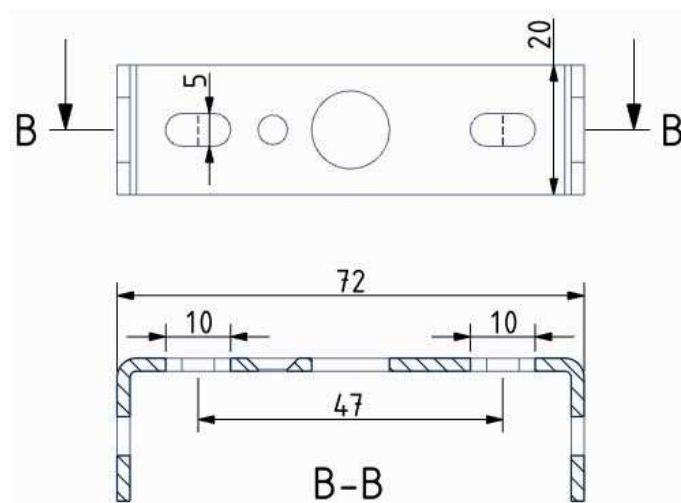
Dimensions O x w [mm]	100 x 30 mm
Weight [kg]	0,25 kg
Material	metal



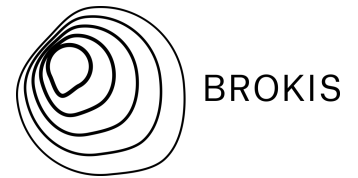
Drawing



Canopy bracket



PRODUCT LIST



Name SFERA 400

Type pendent lamp

ID PC1171



Description

A sphere as a universal shape, yet whose upper section has been dramatically severed. The clean cut comprises the main characteristic of the project light Sfera – a timeless piece that casts a soft light from within handblown matte opal glass. The sphere, affixed to a metal top with a subtle multiangular detail, comes in seven sizes for multiple combinations, thanks to which the collection can be easily configured to meet the specific needs of any architectural or residential project. The Sfera collection features innovative connectors specially developed by Brokis, which allow for easy installation, maintenance, and cleaning. They also make it possible rearrange an installation without having to access building wiring, opening the door to a wide range of possibilities.

Technical description

Glass Colour

triplex opal	A	CGC39
--------------	---	-------

Glass surface

acid-etched both side surface	A	CGSU881
-------------------------------	---	---------

Body finish

iron - black matte powder coating	A	CCS846
-----------------------------------	---	--------

iron - white matte powder coating	A	CCS845
-----------------------------------	---	--------

Canopy finish

iron - black matte powder coating	A	CCSC619
-----------------------------------	---	---------

iron - white matte powder coating	A	CCSC618
-----------------------------------	---	---------

Connection method

BROKIS connector	A	CCM1019
------------------	---	---------

Cable colour

textile cable - black	A	CECL519
-----------------------	---	---------

textile cable - white	A	CECL521
-----------------------	---	---------