

DATASHEET

Type: **SFERA**
Name: Pendant light
ID: PC1285
Designed by: Lucie Koldová



Download

Description

A sphere as a universal shape, yet whose upper section has been dramatically severed. The clean cut comprises the main characteristic of the Sfera project light – a timeless piece that casts a soft light from within handblown matte opal glass.

Tech. description

The light comprises a glass shade, metal body with Brokis connector and E27 socket, metal cap, and power cord with Brokis connector. The light is hung from a ceiling canopy.

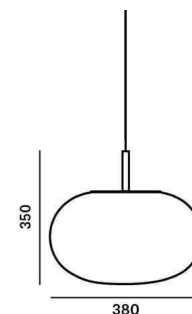


Colours options: https://brokis.sharepoint.com/:b:/s/brokis_sp/EVRqb1y82VhGpcvDRBrnzScB9OnL0opnqPNR1qdPu90j_g

CONSTRUCTION SPECIFICATION

Weight: 4 kg
Construction material: glass, metal
Cord length [mm]: 2,000 mm
Mounting: Ceiling
Environment: Indoor

DIMENSIONS [mm]



ELECTRICAL SPECIFICATION

Input voltage [V]: 230 V
Frequency [Hz]: 50-60 Hz
Max. power [W]: 60 W
Coverage IP: 20
Socket: E27
Light source: -
Energy class: A+ to E depending on light source

CERTIFICATIONS



BROKIS S.R.O.
ŠPANILOVA 1315/25
163 00 PRAHA 6 - ŘEPY
CZECH REPUBLIC

ORG ID 64940799
VAT ID CZ64940799
C 42174 MĚSTSKÝ SOUD
V PRAZE

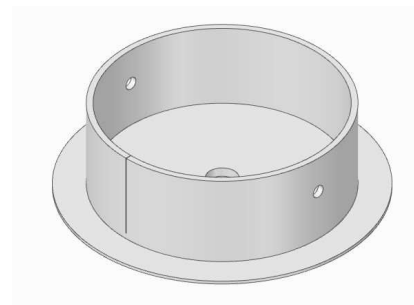
TEL +420 567 211 517
TECHNICAL@BROKIS.CZ
INFO@BROKIS.CZ
WWW.BROKIS.CZ

2022_03
PAGE 1

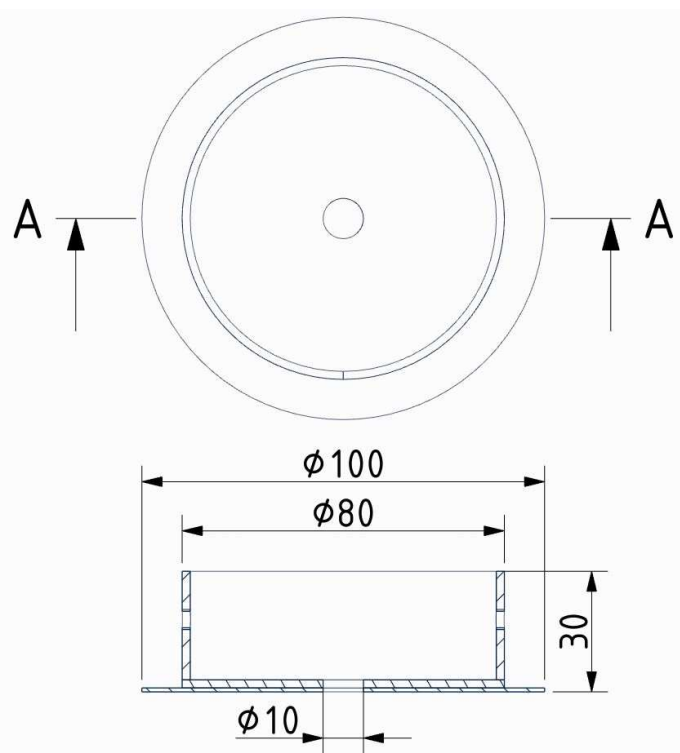


INNER FIXTURE

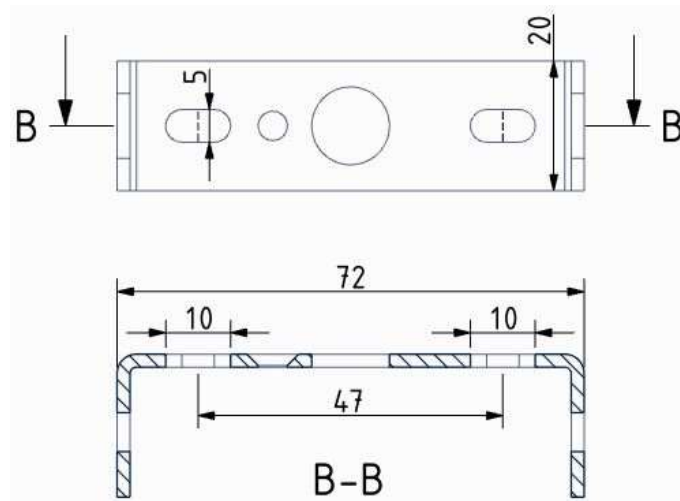
Dimensions O x w [mm] 100 x 30 mm
Weight [kg] 0,25 kg
Material metal



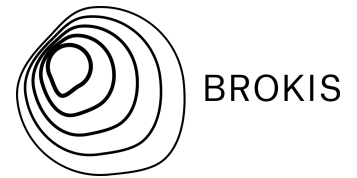
Drawing



Hole placement



PRODUCT INFORMATION SHEET



Name SFERA OVAL 380

Type pendent lamp

ID PC1285



Description

The Sfera collection, one of the mainstays of the BROKIS portfolio, comprises three shapes and several sizes Sfera lights are designed to meet the needs of projects and the architects and other professionals behind them. The sphere as a universal shape is joined by an oval in two sizes also featuring a dramatically sheared top. The prevailing characteristic of the Sfera project light is a clean cut across the top that serves as a platform for an elegant decagonal fixture. The timeless object casts a gentle light through handblown matte opal glass, which is attached to a metal plate featuring a subtle multiangular detail. The original sphere comes in eight sizes ranging from 150 to 600 mm and thus offers a considerable degree of variability in interior installations, while a practical hexagonal BROKIS connector makes it easy to install, maintain, and clean large sets of lights as well as rearrange them without having to alter the interior. The universal beauty and simplicity of the Sfera collection mean it can be used in any space and in any number, from a single light as an elegant accent to large bespoke compositions containing various sizes and shapes.

Technical description

The technologies applied in production follow in the centuries-old tradition and experience of master glassmakers. The precision crafting of handblown glass instils distinctive, enduring character and outstanding quality in all BROKIS products. The glass shades are formed from multiple layers of molten glass, each of which is scrutinized by the master glassmaker prior to being blown into the mould. This phase of production is responsible for up to 70% of the resulting quality of the product. The triplex opal glass of the shades represents one of the finest materials in the lighting industry today. Together with carefully guarded handcraft techniques, the sandwich structure of two transparent outer layers of crystal and an inner layer of white opal between them lends the glass outstanding visual properties. Sfera lights are equipped with special connectors developed by BROKIS for easy maintenance and quick changes to lighting compositions without the need for accessing building wiring or altering other interior features.

Glass Colour

triplex opal	A	CGC39
--------------	---	-------

Glass surface

acid-etched outside surface	A	CGSU67
-----------------------------	---	--------

Body finish

metal - black matte powder coating	A	CCS846
------------------------------------	---	--------

metal - white matte powder coating	A	CCS845
------------------------------------	---	--------

brushed aluminium transparent powder coating	A	CCS2841
--	---	---------

Canopy finish

metal - black matte powder coating	A	CCSC619
------------------------------------	---	---------

metal - white matte powder coating	A	CCSC618
------------------------------------	---	---------

brushed aluminium transparent powder coating	A	CCSC2843
--	---	----------

Trimless – cable version – white structure	A	CCSC2903
--	---	----------

Trimless – cable version – black structure	A	CCSC2904
--	---	----------

Connection method

BROKIS connector 230V	A	CCM2876
-----------------------	---	---------

Cable colour

textile cable - black	A	CECL519
-----------------------	---	---------

textile cable - white	A	CECL521
-----------------------	---	---------

textile cable - light grey	A	CECL1918
----------------------------	---	----------