

DATASHEET

Type: **STARCLOUD**
Name: Pendant light
ID: PC1343
Designed by: Lucie Koldová



Download

Description

These stars project a subtly different optical effect depending on the viewing angle, appearing to variably wax and wane or come to rest in a state of symmetry. Suspended on slender coaxial cables of varying lengths, the delicate handblown glass shades are available in three variants: opaque opaline, pearl pink opaline, and pearl grey opaline.

Tech. description

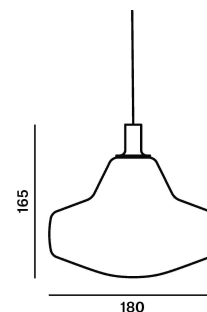
The light comprises a dural fixture with integrated LED module, a diffuser crafted from light-conducting material, and a glass shade. The light is suspended on a coaxial cable from a metal ceiling canopy.



CONSTRUCTION SPECIFICATION

Weight: 1.9 kg
Construction material: glass, metal
Cord length [mm]: 2,200 mm
Mounting: Ceiling
Environment: Indoor

DIMENSIONS [mm]



ELECTRICAL SPECIFICATION

Input voltage [V]: 100 - 240 V
Frequency [Hz]: 50-60 Hz
Max. power [W]: W
Coverage IP: 20
Socket: -
Light source: LED module
Energy class: E

CERTIFICATIONS



BROKIS S.R.O.
ŠPANIĚLOVA 1315/25
163 00 PRAHA 6 - ŘEPY
CZECH REPUBLIC

ORG ID 64940799
VAT ID CZ64940799
C 42174 MĚSTSKÝ SOUD
V PRAZE

TEL +420 567 211 517
TECHNICAL@BROKIS.CZ
INFO@BROKIS.CZ
WWW.BROKIS.CZ

2024_02
PAGE 1

PRODUCT INFORMATION SHEET



Name STARCLOUD ATRIA

Type pendent lamp

ID PC1343



Description

Set off on a journey through the heavens with this enchanting masterpiece of stellar beauty, a mesmerizing nebula of gracefully intermingling lights cast against the night sky. This bespoke collection of pendants is based on an abstract astral form, which flows seamlessly into three distinct objects, Atria, Lyra, and Vega, each a work of art in its own right among its celestial companions. These stars project a subtly different optical effect depending on the viewing angle, appearing to variably wax and wane or come to rest in a state of symmetry. Suspended on slender coaxial cables of varying lengths, the delicate handblown glass shades are available in three variants: opaline, pearl pink opaline, and pearl grey opaline. The collection offers six predefined sets of various sizes, each with its own custom ceiling canopy, but there is no limit to how the lights can be mixed and matched in original compositions. Starcloud thus provides a remarkable degree of variability, inviting users to create their own wholly unique interior starscapes.

Technical description

Glass Colour

opaline - transparent glass	A	CGC38
pearl grey - opaline glass	A	CGC1916
pearl pink - opaline glass	A	CGC2991

Glass surface

glossy surface	A	CGSU66
----------------	---	--------

Ornaments

Without ornaments	A	CGO2988
Bubbles	B	CGO2990

Body finish

silver anodized	A	CCS1917
black anodized	A	CCS1948

Canopy finish

metal - black matte powder coating with structure	A	CCSC2674
metal - white matte powder coating with structure	A	CCSC2810
Trimless – coaxial cable version – silver anodized	A	CCSC3022
Trimless – coaxial cable version – white structure	A	CCSC2985
Trimless – coaxial cable version – black structure	A	CCSC2986

Cable colour

coaxial cable - silver	A	CECL2772
------------------------	---	----------

LED Source

24V, LED, 2.5W, 2700K, 250lm, RA90, DIM	A	LEDS3014
---	---	----------

Dimmable version

non-dimmable version	A	CEDV1457
DIM RF system - remote control version	A	CEDV1461
DIM PWM signal	A	CEDV1459
DIM 1-10V	A	CEDV1460
DIM DALI version	A	CEDV1458
DIM AC phase-cut	A	CEDV1730
DIM CASAMBI CBU-PWM4	A	CEDV2854



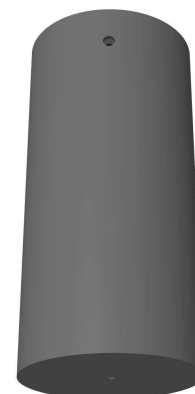
CM17826

Type	LED module
Lamp wattage [W]	2,5 W
Input voltage [V]	24 VDC
Energy class	E
Flux [lm]	250 lm
Light colour [K]	2700 K
CRI	90+
Dimmable	yes

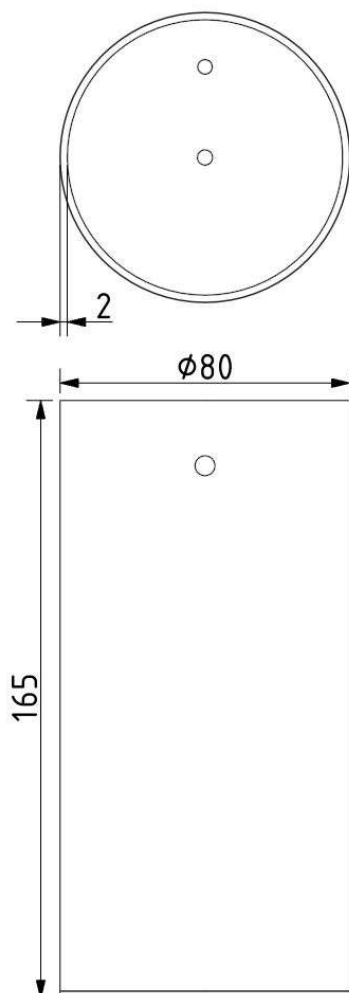


INNER FIXTURE

Dimensions O x w [mm] 80 X 165 mm
Weight [kg] 1 kg
Material metal



Drawing



Hole placement

