

# DATASHEET

Type: **TROTTOLA**  
Name: Pendant light  
ID: PC1321  
Designed by: Federico Peri



Download

## Description

Trottola is a new collection of suspension and table lights whose shape elicits memories of a popular childhood toy – the spinning top. The aesthetics of the design are carried on an enchanting luminance that passes through an opal diffuser and opaline glass to reveal a playful contrast of shadows and light.

## Tech. description

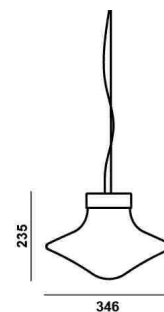
The pendant comprises a dural fixture with LED module, a fixture cover, and a glass shade attached to the fixture with three set screws. The pendant is hung from a wire rope anchored within a ceiling canopy, which also houses the electronics. There is a simple mechanism in the upper part of the fixture for levelling the light after installation.



## CONSTRUCTION SPECIFICATION

**Weight:** 4.7 kg  
**Construction material:** glass, metal  
**Cord length [mm]:** 2,200 mm  
**Mounting:** Ceiling  
**Environment:** Indoor

## DIMENSIONS [mm]



## ELECTRICAL SPECIFICATION

**Input voltage [V]:** 100 - 240 V  
**Frequency [Hz]:** 50-60 Hz  
**Max. power [W]:** 11 W  
**Coverage IP:** 20  
**Socket:** LED module  
**Light source:** -  
**Energy class:** E

## CERTIFICATIONS

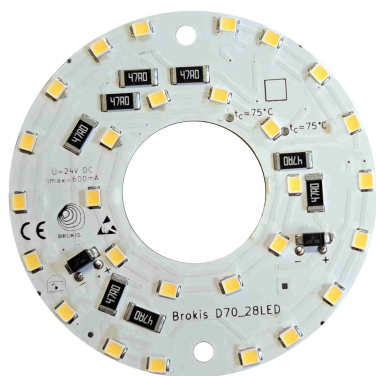


BROKIS S.R.O.  
ŠPANILOVA 1315/25  
163 00 PRAHA 6 - ŘEPY  
CZECH REPUBLIC

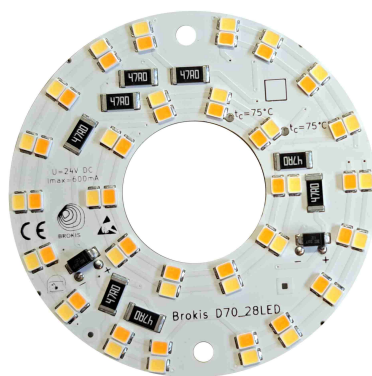
ORG ID 64940799  
VAT ID CZ64940799  
C 42174 MĚSTSKÝ SOUD  
V PRAZE

TEL +420 567 211 517  
TECHNICAL@BROKIS.CZ  
INFO@BROKIS.CZ  
WWW.BROKIS.CZ

2023\_03  
PAGE 1



**CM14897**



**CM16260**

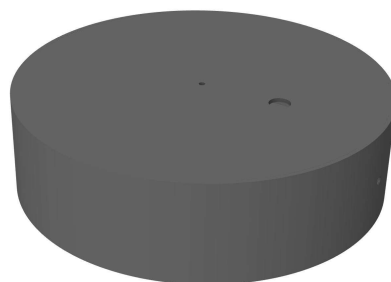
<b>Type</b>	LED module
<b>Lamp wattage [W]</b>	9.4 W
<b>Input voltage [V]</b>	24 VDC
<b>Energy class</b>	E
<b>Flux [lm]</b>	1060 lm
<b>Light colour [K]</b>	2700 K
<b>CRI</b>	90+
<b>Dimmable</b>	yes

<b>Type</b>	LED module
<b>Lamp wattage [W]</b>	9.4 W
<b>Input voltage [V]</b>	24 VDC
<b>Energy class</b>	E
<b>Flux [lm]</b>	1060-1141 lm
<b>Light colour [K]</b>	2700-6500 K
<b>CRI</b>	90+
<b>Dimmable</b>	yes - tunable white



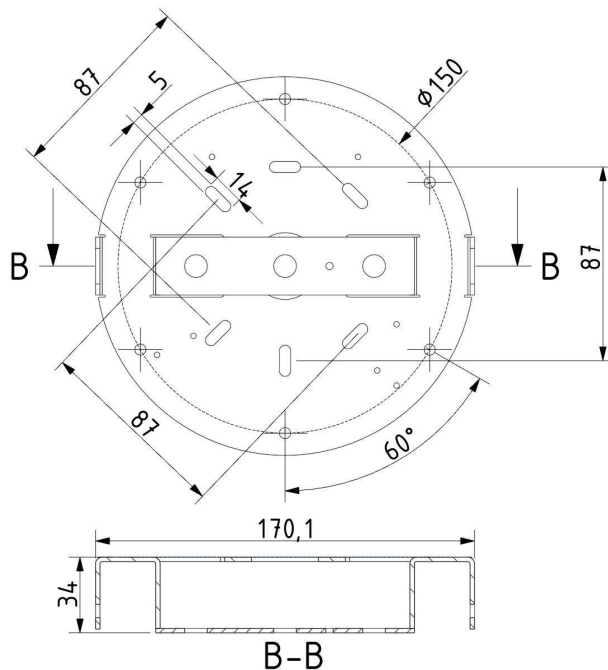
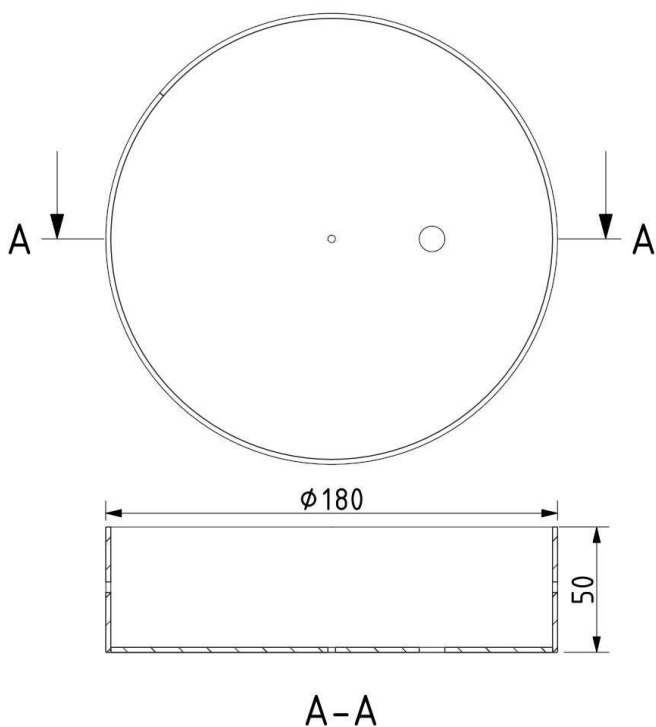
### INNER FIXTURE

Dimensions O x w [mm] 180 x 50 mm  
Weight [kg] 1.3 kg  
Material metal

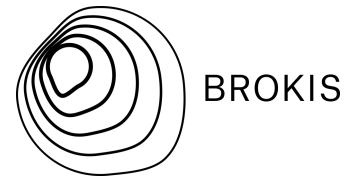


### Drawing

### Hole placement



# PRODUCT INFORMATION SHEET



**Name** TROTTOLA pendant S

**Type** pendent lamp

**ID** PC1321



**Description** Trottola is a new collection of suspension and table lights whose shape elicits memories of a popular childhood toy – the spinning top. The aesthetics of the design are carried on an enchanting luminance that passes through an opal diffuser and opaline glass to reveal a playful contrast of shadows and light. The LED source is housed in a base clad in pressed aluminium, which in turn is finished in an attractive black or silver anodized. Brightness and light temperature can be adjusted with a simple turn of the elegant dimmer by the table versions of the collection. Trottola offers two sizes of suspension and table lights in handblown opaline glass. The table variant is fitted with the innovative BROKIS connector, which makes it easy to disconnect the light and move it about the interior and also facilitates disassembly for maintenance and cleaning. As if by magic, the semi-transparent object comes to life with a gentle glow to reveal a fascinating playscape of shapes and shadows in the interior.

**Technical description** The technologies used in production are based on several centuries of tradition and artisanal evolution. The precision crafting of handblown glass instils distinctive, enduring character and outstanding quality in all BROKIS products. The glass shades are formed from multiple layers of molten glass, each of which is scrutinized by the master glassmaker prior to being blown into the mould. Up to 70% of the resulting quality is achieved in this stage of production. In the table version, an unique solution called Tunable White allows users to adjust the brightness and colour temperature of the light with a simple turn of elegant knobs. The table version is also fitted with a special connector developed by BROKIS that allows the light to be easily disconnected and moved from one place to another and also enables disassembly for cleaning and maintenance.

## **Glass Colour**

opaline - transparent glass	A	CGC38
pearl grey - opaline glass	A	CGC1916

## **Glass surface**

glossy surface	A	CGSU66
----------------	---	--------

## **Body finish**

silver anodized	A	CCS1917
black anodized	A	CCS1948

## **Canopy finish**

metal - white matte powder coating with structure	A	CCSC2810
metal - black matte powder coating with structure	A	CCSC2674

## **Cable colour**

textile cable - black	A	CECL519
textile cable - light grey	A	CECL1918

## **LED Source**

DIM, 24V, LED, 9.4W, 2700K, 1064lm, RA90+	A	LEDS2869
DIM (TW), 24V, LED, 9.4W, 2700K-6500K, 1064lm-1141lm, RA90+	A	LEDS2940

## **Dimmable version**

non-dimmable version	A	CEDV1457
DIM RF system - remote control version	A	CEDV1461
DIM PWM signal	A	CEDV1459
DIM 1-10V	A	CEDV1460
DIM DALI version	A	CEDV1458
DIM AC phase-cut	A	CEDV1730
DIM CASAMBI CBU-PWM4	A	CEDV2854
DIM (TW) CASAMBI CBU-PWM4	A	CEDV2942
DIM (TW) DALI version	A	CEDV2944