



Description

The Whistle collection is, quite literally, a living reference to the work of glassmakers, as inspiration for the design was taken from the blowpipe, which in Czech is known as a glassmaker's whistle. The lucid body of the piece traces the silhouette of a cone of light, and a distinct spotlight with hand-pressed metal shield constitutes its imaginary heart.



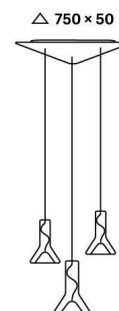
Tech. description The light consists of a glass body with Brokis connector and lead cable with connector. The bottom section comprises a metal reflector with GX53 light source socket. The light includes a metal ceiling canopy.

Colours options: https://brokis.sharepoint.com/:b:/s/brokis_sp/EQ3_jOeXC-RFhpOe_EqxvHoB0gWtcOUPwxNFoCjyx9-9kA

CONSTRUCTION SPECIFICATION

Weight:	18 kg
Construction material:	glass, metal
Cord length [mm]:	2000 mm
Mounting:	Ceiling
Environment:	Indoor

DIMENSIONS [mm]



ELECTRICAL SPECIFICATION

Input voltage [V]:	230 V
Frequency [Hz]:	50-60 Hz
Max. power [W]:	3 x 15 W LED
Coverage IP:	20
Socket:	3 x GX53
Light source:	-
Energy class:	A+ to B depending on light source

CERTIFICATIONS





CM2353

Socket	GX53
Type	LED
Lamp wattage [W]	10 W
Input voltage [V]	220 - 240 VAC
Energy class	A+
Flux [lm]	700 lm
Light colour [K]	2700 K
CRI	90+
Lifespan [h]	25000h
Dimmable	yes
Dimensions h x w [mm]	39 x 90 mm

DATASHEET

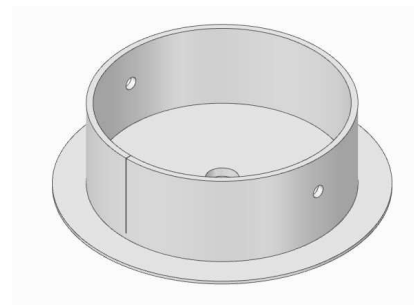
RECOMENDED CANOPY



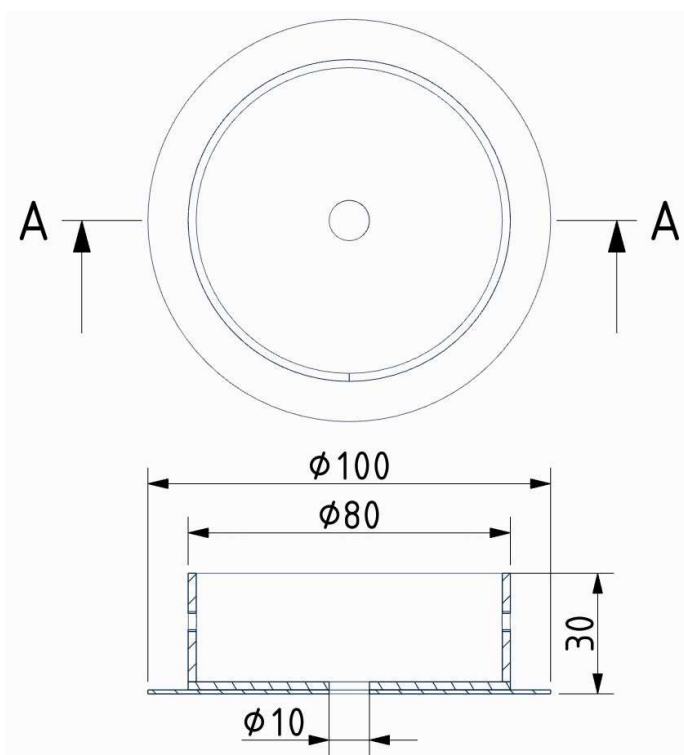
Download

CEILING CANOPY

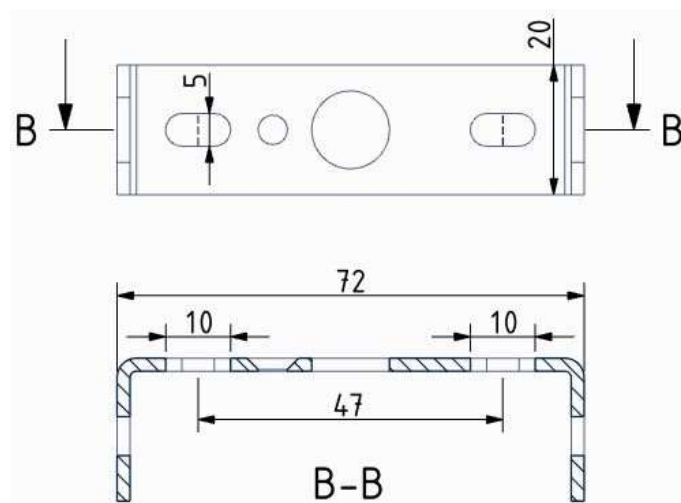
Dimensions O x w [mm]	100 x 30 mm
Weight [kg]	0,25 kg
Material	metal



Drawing



Canopy bracket



PRODUCT LIST



Name WHISTLE SET SSM

Type pendent lamp

ID PC961



Description The Whistle collection is, quite literally, a living reference to the work of glassmakers, as inspiration for the design was taken from the blowpipe, which in Czech is known as a glassmaker's whistle. The lucid body of the piece traces the silhouette of a cone of light, and a distinct spotlight with hand-pressed metal shield constitutes its imaginary heart. The overall shape and the naked cable winding its way up through the body of the light define the character of its simplistic technical form. The collection comprises a suspension light in two sizes as well as a set of three lights. From 2018, Whistle is fitted with special integrated connectors developed by Brokis to facilitate installation and cleaning.

Technical description The craftsmanship applied in production follows in the centuries-old tradition and experience of master glassmakers. The precision crafting of hand-blown glass instills distinctive, enduring character and outstanding quality in all Brokis products. The glass shades are formed from multiple layers of molten glass, each of which is scrutinized by the master glassmaker prior to being blown into the mold. Up to 70% of the resulting quality is achieved in this stage of production. The metal reflector is manufactured through a unique metal stamping technique that has been proven over the course of millennia and involves spinning cold sheet metal on a rotating form. The history of this technology goes back to Celtic times. As with the glassmakers, the master metalworkers draw upon the tradition and experience that have been carefully passed down through the ages and give the final product exceptional added value.

Glass Colour

transparent glass	A	CGC23
smoke grey - transparent glass	A	CGC516
smoke brown - transparent glass	A	CGC538
opaline - transparent glass	A	CGC38

Glass surface

glossy surface	ALL	CGSU66
----------------	-----	--------

Body finish

copper	C	CCS584
brass	C	CCS69
chrome	C	CCS275
black	A	CCS582
white	A	CCS575
grey	A	CCS720
magenta	A	CCS724
menthol	A	CCS723

Canopy finish

iron - black matte powder coating	A	CCSC619
iron - white matte powder coating	A	CCSC618

Connection method

BROKIS connector	A	CCM1019
------------------	---	---------

Cable colour

textile cable - black	A	CECL519
textile cable - white	A	CECL521
textile cable - light grey	A	CECL1918
textile cable - dark grey	A	CECL520
textile cable - magenta	A	CECL726
textile cable - menthol	A	CECL725

Recommended Bulbs

230V, GX53, 10W, 2700K, 700lm, RA90, 100°, DIM	A	CEB717
--	---	--------