

FREELINE
F44A0402

Flynn Talbot

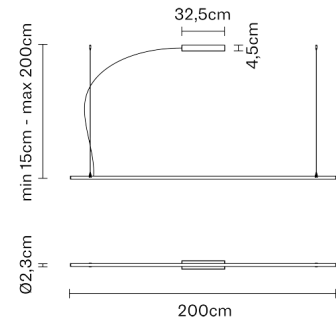


Description

Pendant lamp with black anodized aluminium structure. Adjustable diffuser for direct or indirect light.



Dimensions



Voltage
220-240V

Dimmable LED
PUSH 1..10V

Material
Aluminium

Light source and alternative bulbs

Available structure colours

- Black
- Other colours available

Included accessories

LED
Dimmable electronic driver

In the same family



Ceiling

System

Weight Lamp
Net: 1 kg

Packaging
Gross weight: 0 kg
Volume: 0 m³
Number of boxes: 2

Specs

IP40