

## EXCALIBUR

designed by Corrado Dotti

559.41 Parete - Wall

### Collezione / Series

Excalibur

### Dimensioni / Dimensions

H. 45 x L. 12 / H. 17.7" x L. 4.7"

### Peso / Weight

2,5 kg / 5,5 lb

### Materiali / Materials

metal, brass, PMMA

### Certificazioni / Certifications

CE (240V)

### Sorgente / Source

110/240 V  
Integrated LED  
Wattage: 10 Watts  
Lumens: 1200 lm  
Dimmability: phase cut  
Color Temperature: 2700K

### Note / Notes

### Finiture / Finishes

C2 Matte black + C41 Brushed brass

CE  IP40

Struttura realizzata da una basetta per fissaggio a muro verniciata a polveri epossidiche e da un corpo in metallo, due diffusori prismatici in plexiglass e tre fasce rettangolari di ottone spazzolato.

Structure made of a base for wall fixing coated with epoxy powders and a metal body, two prismatic diffusers in plexiglass and three rectangular flaps in brushed brass.

## ABOUT

Lampada dalla leggera ispirazione Decò, composta da un corpo in metallo nero con 2 diffusori prismatici in plexiglass, contornato da 3 lamine rettangolari in ottone satinato. Elegante e versatile disponibile nelle seguenti versioni: sospensione singola o a grappolo, chandelier di due dimensioni, lampada da parete singola o doppia.

A slightly Deco inspired lamp. The main body is in black coating and the light is spread through 2 plexiglass prisms and it's wrapped into 3 rectangular brushed brass foils. It is available in different compositions: single or bunch suspension, chandeliers in two different dimension, single or double wall lamp.



# EXCALIBUR

# 559.41 Wall

Picture on page 17 of the catalogue

**Design:** Corrado Dotti

**Description:** A slightly Deco inspired lamp. The main body is in black coating and the light is spread through 2 plexiglass prisms and it's wrapped into 3 rectangular brushed brass foils. It is available in different compositions: single or bunch suspension, chandeliers in two different dimension, single or double wall lamp.

**Materials:** metal, brass, PMMA

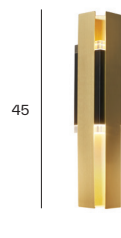
**Mounting:** Cable: 2 x 0,75 mm<sup>2</sup>. Base: 7 x 7 cm included with bracket.

**Nt. Wt.:** 2,5 kg

**Class:** Degree of protection IP40, insulation class 1.

**Note:** Available in 110/120V

CE ⊕ IP40



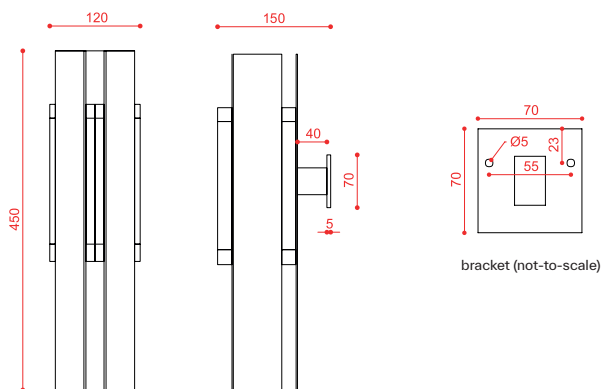
12

code	source	lumens	dimmability	finishes	cable (cm)	dimensions (cm)	LED
559.41	1 x LED 220/240V	1200 Lm	phase cut	C74 + C41	/	H 45 x L 12	10W 2700K

Hardware Details



C74 Sand black + C41 Brushed brass



measurements in mm