

EXCALIBUR

designed by Corrado Dotti

559.42 Parete - Wall

Collezione / Series

Excalibur

Dimensioni / Dimensions

H. 45 x L. 32 / H. 17.7" x L. 12.6"

Peso / Weight

5 kg / 11 lb

Materiali / Materials

metal, brass, PMMA

Certificazioni / Certifications

CE (240V)

Sorgente / Source

110/240 V
2x Integrated LED
Wattage: 10 Watts
Lumens: 2400 lm
Dimmability: phase cut
Color Temperature: 2700K

Note / Notes

Finiture / Finishes

C2 Matte black + C41 Brushed brass

CE  IP40

Struttura realizzata da una basetta per fissaggio a muro verniciata a polveri epossidiche e da due corpi in metallo, composti ognuno da due diffusori prismatici in plexiglass e tre fasce rettangolari di ottone spazzolato.

Structure made of a base for wall fixing coated with epoxy powders and two metal body each with two prismatic diffusers in plexiglass and three rectangular flaps in brushed brass.

ABOUT

Lampada dalla leggera ispirazione Decò, composta da un corpo in metallo nero con 2 diffusori prismatici in plexiglass, contornato da 3 lamine rettangolari in ottone satinato. Elegante e versatile disponibile nelle seguenti versioni: sospensione singola o a grappolo, chandelier di due dimensioni, lampada da parete singola o doppia.

A slightly Deco inspired lamp. The main body is in black coating and the light is spread through 2 plexiglass prisms and it's wrapped into 3 rectangular brushed brass foils. It is available in different compositions: single or bunch suspension, chandeliers in two different dimension, single or double wall lamp.



EXCALIBUR

559.42 Wall

Design: Corrado Dotti

Description: A slightly Deco inspired lamp. The main body is in black coating and the light is spread through 2 plexiglass prisms and it's wrapped into 3 rectangular brushed brass foils. It is available in different compositions: single or bunch suspension, chandeliers in two different dimension, single or double wall lamp.

Materials: metal, brass, PMMA

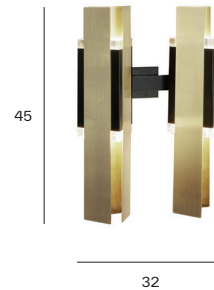
Mounting: Cable: 2 x 0,75 mm². Base: 7 x 7 cm included with bracket.

Nt. Wt.: 5 kg

Class: Degree of protection IP40, insulation class 1.

Note: Available in 110/120V

CE ⊕ IP40

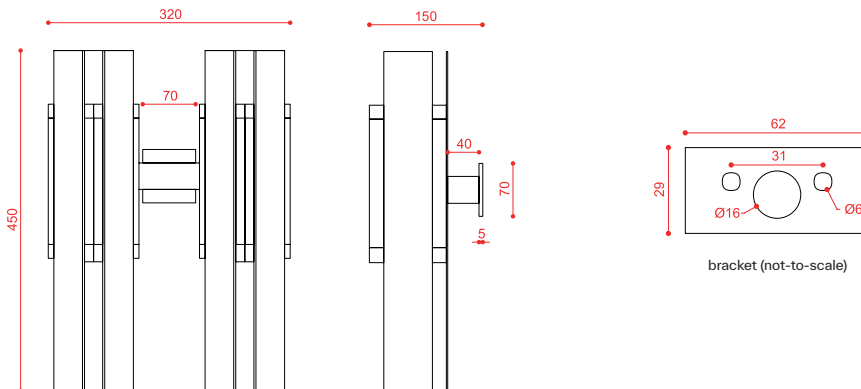


code	source	lumens	dimmability	finishes	cable (cm)	dimensions (cm)	LED
559.42	2 x LED 220/240V	2400 Lm	phase cut	C74 + C41	/	H 45 x L 32	10W 2700K

Hardware Details



C74 Sand black + C41 Brushed brass



measurements in mm