

FILIPA

designed by Corrado Dotti

555.22 Pendant

Collezione / Series

Filipa

Dimensioni / Dimensions

H. 45 x L.28 / H. 17.5" x L. 10.8"

Peso / Weight

2,3 kg / 5,1 lb

Materiali / Materials

metal, leather, glass

CE  IP40

Certificazioni / Certifications

CE (240V)

Sorgente / Source

110/240 V

1x G9 + 1x LED

Recommended bulb + LED: 3 Watts + 4 Watts

Lumens LED: 500 lm

Dimmability: according to bulb + phase cut

Color Temperature: 2700K

Cable: 150cm

Note / Notes

Custom ceiling plate on request

Max dimension bulb (excluded): Ø 1,8 x H 5,7 cm

Finiture / Finishes

C74 Sand black + C46 Sand grey + Clear glass, C74 Sand black + Two-tone leather + Clear glass

Struttura realizzata da un rosone in metallo, verniciato a polveri epossidiche e da una sospensione in metallo o in pelle bicolore ispirata alla forma delle lanterne cinesi. La luce si diffonde attraverso un diffusore in vetro sferico in borosilicato a doppia parete Ø16 cm e da una sorgente a LED integrata per un'illuminazione diretta verso il basso.

Structure made of a metal canopy coated with epoxy powders and three metal or two-tone leather suspensions, inspired by the shape of the Chinese lanterns. The light diffuses through a double-walled borosilicate glass spherical diffuser with Ø16 cm and an integrated LED source for direct downlighting.

ABOUT

Lampade ispirate alla classica lanterna cinese. La particolare struttura bidimensionale è in metallo verniciato a polveri epissodiche nella parte esterna, mentre quella interna è di colore grigio sabbia. La collezione è stata arricchita dalla versione in pelle bicolore.

La fonte di luce è all'interno di un diffusore a doppia parete in vetro borosilicato e le versioni a sospensione sono dotate di una ulteriore sorgente luminosa LED integrata per un'illuminazione diretta verso il basso.

Collection of lamps inspired by the classic Chinese lanterns. The particular bi-dimensional structure is made by powder coated painted metal on the outside, while the inside color is sand gray. A new version in a twocoloured leather has enriched the collection. The light source is located inside a doubleside borosilicate glass diffuser, while the suspensions have an additional integrated LED light source in order to create a direct illumination downwards.



FILIPA

555.22 Pendant

Picture on page 97 of the catalogue

Design: Corrado Dotti

Description: Collection of lamps inspired by the classic Chinese lanterns. The particular bi-dimensional structure is made by powder coated painted metal on the outside, while the inside color is sand gray. A new version in a twocoloured leather has enriched the collection. The light source is located inside a doubleside borosilicate glass diffuser, while the suspensions have an additional integrated LED light source in order to create a direct illumination downwards.

Materials: metal, leather, glass

Mounting: Pendant: cable length 150 cm. Cable: 3 x 0,75 mm². Canopy: Ø 13 cm included with bracket.

Nt. Wt.: 2,3 kg

Class: Degree of protection IP40, insulation class 1.

Note: Custom canopy on request

Available in 110/120V

Max dimensions bulb (excluded):



CE ⊕ IP40



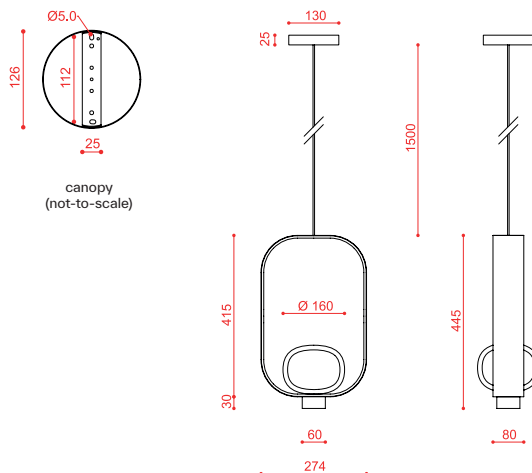
code	source	lumens	dimmiability	finishes	cable (cm)	dimensions (cm)	recommended bulb + LED
555.22	1 x G9 + 1 x LED 220/240V	/ 500 Lm	according to bulb + phase cut	C74 + C46	150	H 45 x L 28	3W 4W 2700K
555.22	1 x G9 + 1 x LED 220/240V	/ 500 Lm	according to bulb + phase cut	C74 + Leather	150	H 45 x L 28	3W 4W 2700K

Hardware Details



C74 Sand black + C46 Sand grey + Clear glass

C74 Sand black + Two-tone leather + Clear glass



measurements in mm