

FILIPA

designed by Corrado Dotti

555.31 Tavolo - Table

Collezione / Series

Filipa

Dimensioni / Dimensions

H. 45 x L.28 / H. 17.7" x L. 11"

Peso / Weight

3,5 kg / 7,7 lb

Materiali / Materials

metal, leather, glass

Certificazioni / Certifications

CE (240V)

Sorgente / Source

1x G9 110/240 V

Recommended bulb: 3 Watts

Cable: 150cm

Note / Notes

Max dimension bulb (excluded): Ø 1,8 x H 5,7 cm

Finiture / Finishes

C74 Sand black + C46 Sand grey +
Clear glass, C74 Sand black + Two-
tone leather + Clear glass

CE  IP40

Struttura realizzata da una base circolare in metallo verniciata a polveri epossidiche e da una fascia in metallo verniciata a polveri epossidiche o rivestita in pelle bicolore. La luce si diffonde attraverso un diffusore in vetro sferico in borosilicato a doppia parete Ø16 cm.

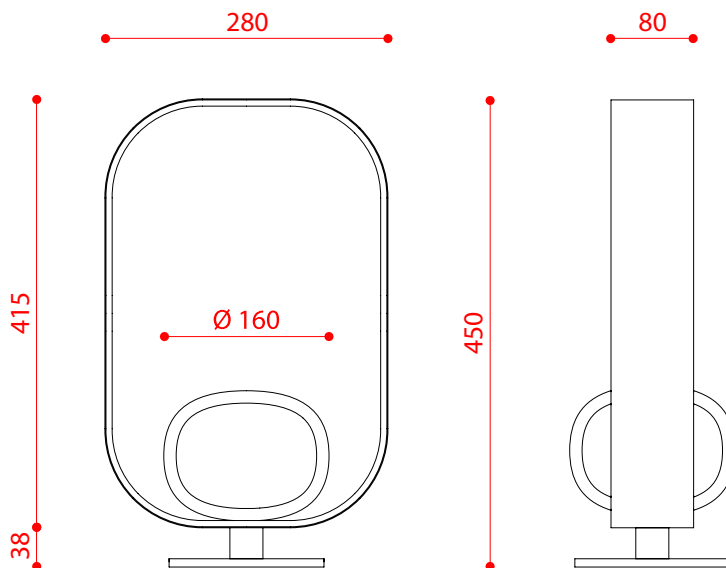
Structure made of a circular metal base coated with epoxy powders and a metal bend in epoxy powders coating or in two-tone leather. The light diffuses through a Ø16 cm double-wall borosilicate spherical glass diffuser.

ABOUT

Lampade ispirate alla classica lanterna cinese. La particolare struttura bidimensionale è in metallo verniciato a polveri epossidiche nella parte esterna, mentre quella interna è di colore grigio sabbia. La collezione è stata arricchita dalla versione in pelle bicolore.

La fonte di luce è all'interno di un diffusore a doppia parete in vetro borosilicato e le versioni a sospensione sono dotate di una ulteriore sorgente luminosa LED integrata per un'illuminazione diretta verso il basso.

Collection of lamps inspired by the classic Chinese lanterns. The particular bi-dimensional structure is made by powder coated painted metal on the outside, while the inside color is sand gray. A new version in a twocoloured leather has enriched the collection. The light source is located inside a doubleside borosilicate glass diffuser, while the suspensions have an additional integrated LED light source in order to create a direct illumination downwards.



FILIPA

designed by Corrado Dotti

555.31d Tavolo - Table

Collezione / Series

Filipa

Dimensioni / Dimensions

H. 45 x L.28 / H. 17.5" x L. 10.8"

Peso / Weight

3,5 kg / 7,7 lb

Materiali / Materials

metal, leather, glass

Certificazioni / Certifications

CE (240V)

Sorgente / Source

1x G9 110/240 V

Recommended bulb: 3 Watts

Dimmability: dimmer on cable

Cable: 150cm

Note / Notes

Max dimension bulb (excluded): Ø 1,8 x H 5,7 cm

Finiture / Finishes

C74 Sand black + C46 Sand grey + Clear glass, C74 Sand black + Two-tone leather + Clear glass

CE  IP40

Struttura realizzata da una base circolare in metallo verniciata a polveri epossidiche e da una fascia in metallo verniciata a polveri epossidiche o rivestita in pelle bicolore. La luce si diffonde attraverso un diffusore in vetro sferico in borosilicato a doppia parete Ø16 cm. dimmer integrato sul cavo.

Structure made of a circular metal base coated with epoxy powders and a metal bend in epoxy powders coating or in two-tone leather. The light diffuses through a Ø16 cm double-wall borosilicate spherical glass diffuser. Integrated dimmer on cable.

ABOUT

Lampade ispirate alla classica lanterna cinese. La particolare struttura bidimensionale è in metallo verniciato a polveri epossidiche nella parte esterna, mentre quella interna è di colore grigio sabbia. La collezione è stata arricchita dalla versione in pelle bicolore.

La fonte di luce è all'interno di un diffusore a doppia parete in vetro borosilicato e le versioni a sospensione sono dotate di una ulteriore sorgente luminosa LED integrata per un'illuminazione diretta verso il basso.

Collection of lamps inspired by the classic Chinese lanterns. The particular bi-dimensional structure is made by powder coated painted metal on the outside, while the inside color is sand gray. A new version in a twocoloured leather has enriched the collection. The light source is located inside a doubleside borosilicate glass diffuser, while the suspensions have an additional integrated LED light source in order to create a direct illumination downwards.



FILIPA

555.31 Table

Picture on page 93 of the catalogue

Design: Corrado Dotti

Description: Collection of lamps inspired by the classic Chinese lanterns. The particular bi-dimensional structure is made by powder coated painted metal on the outside, while the inside color is sand gray. A new version in a twocoloured leather has enriched the collection. The light source is located inside a doubleside borosilicate glass diffuser.

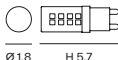
Materials: metal, leather, glass

Mounting: Table: cable length 150 cm. Cable: 2 x 0,75 mm². Plug: type C (EU). On/off switch: 50 cm from the base on black fabric cable.

Nt. Wt.: 3,5 kg

Class: Degree of protection IP40, insulation class 2.

Note: Available in 110/120V

Max dimensions bulb (excluded):  $\varnothing 1,8$ H 5,7

CE  IP40



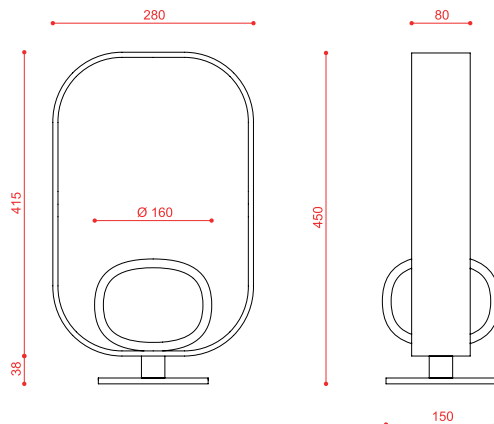
code	source	lumens	dimmiability	finishes	cable (cm)	dimensions (cm)	recommended bulb	€
555.31	1 x G9 220/240V	/	/	C74 + C46	150	H 45 x L 28	3W	523,00
555.31	1 x G9 220/240V	/	/	C74 + Leather	150	H 45 x L 28	3W	630,00
555.31d	1 x G9 220/240V	/	dimmer on cable	C74 + C46	150	H 45 x L 28	3W	592,00
555.31d	1 x G9 220/240V	/	dimmer on cable	C74 + Leather	150	H 45 x L 28	3W	691,00

Hardware Details



C74 Sand black + C46 Sand grey + Clear glass

C74 Sand black + Two-tone leather + Clear glass



measurements in mm