

FILIPA

designed by Corrado Dotti

555.41 Parete - Wall

Collezione / Series

Filipa

Dimensioni / Dimensions

H. 49 x L.28 / H. 17.5" x L. 19.3"

Peso / Weight

2,4 kg / 5,3 lb

Materiali / Materials

metal, leather, glass

Certificazioni / Certifications

CE (240V)

Sorgente / Source

1x G9 110/240 V

Recommended bulb: 3 Watts

Dimmability: according to bulb

Note / Notes

Max dimension bulb (excluded): Ø 1,8 x H 5,7 cm

Finiture / Finishes

C74 Sand black + C46 Sand grey + Clear glass, C74 Sand black + Two-tone leather + Clear glass

CE  IP40

Struttura realizzata da una base circolare in metallo verniciata a polveri epossidiche per fissaggio a muro e da una fascia in metallo verniciata a polveri epossidiche o rivestita in pelle bicolore. La luce si diffonde attraverso un diffusore in vetro sferico in borosilicato a doppia parete Ø16 cm.

Structure made of a circular metal base coated with epoxy powders for wall mounting and a metal bend in epoxy powders coating or in two-tone leather. The light diffuses through a Ø16 cm double-wall borosilicate spherical glass diffuser. Integrated dimmer on cable.

ABOUT

Lampade ispirate alla classica lanterna cinese. La particolare struttura bidimensionale è in metallo verniciato a polveri epissodiche nella parte esterna, mentre quella interna è di colore grigio sabbia. La collezione è stata arricchita dalla versione in pelle bicolore.

La fonte di luce è all'interno di un diffusore a doppia parete in vetro borosilicato e le versioni a sospensione sono dotate di una ulteriore sorgente luminosa LED integrata per un'illuminazione diretta verso il basso.

Collection of lamps inspired by the classic Chinese lanterns. The particular bi-dimensional structure is made by powder coated painted metal on the outside, while the inside color is sand gray. A new version in a twocoloured leather has enriched the collection. The light source is located inside a doubleside borosilicate glass diffuser, while the suspensions have an additional integrated LED light source in order to create a direct illumination downwards.

Design: Corrado Dotti

Description: Collection of lamps inspired by the classic Chinese lanterns. The particular bi-dimensional structure is made by powder coated painted metal on the outside, while the inside color is sand gray. A new version in a twocoloured leather has enriched the collection. The light source is located inside a doubleside borosilicate glass diffuser.

Materials: metal, leather, glass

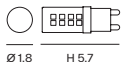
Mounting: Cable: 2 x 0,75 mm². Base: Ø 11,5 cm included with bracket.

Nt. Wt.: 2,4 kg

Class: Degree of protection IP40, insulation class 1.

Note: Available in 110/120V

Max dimensions bulb (excluded):



CE IP40



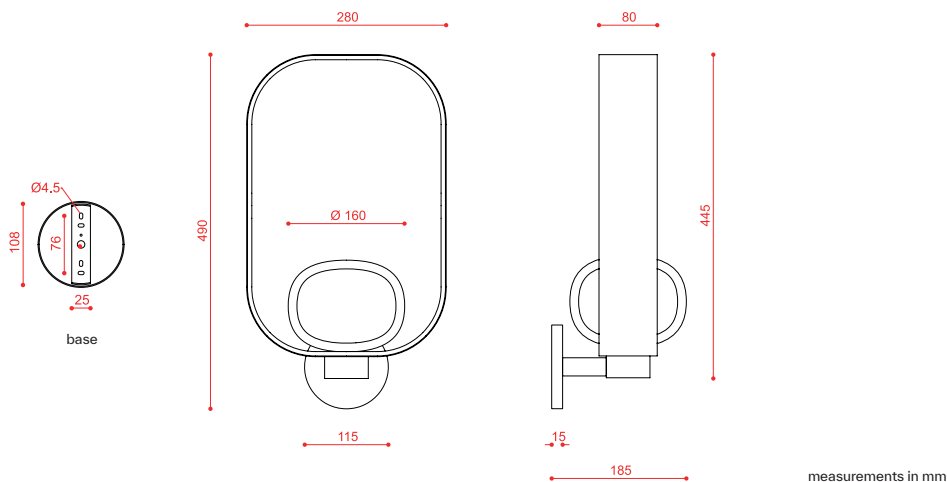
code	source	lumens	dimmability	finishes	cable (cm)	dimensions (cm)	recommended bulb
555.41	1 x G9 220/240V	/	according to bulb	C74 + C46	/	H 49 x L 28	3W
555.41	1 x G9 220/240V	/	according to bulb	C74 + Leather	/	H 49 x L 28	3W

Hardware Details



C74 Sand black + C46 Sand grey + Clear glass

C74 Sand black + Two-tone leather + Clear glass



measurements in mm