

## GORDON

designed by Corrado Dotti

561.11a Soffitto - Ceiling

### Collezione / Series

Gordon

### Dimensioni / Dimensions

H. 70-90 x L. 40 / H. 27.5"-35.4" x L. 15.7"

### Peso / Weight

1,5 kg / 3,3 lb

### Materiali / Materials

metal, PMMA, aluminium

### Certificazioni / Certifications

CE (240V)

### Sorgente / Source

1 x E27 220/240V

Recommended bulb: Max 10 Watts

Dimmability: according to bulb

### Note / Notes

Available in 110/120V

### Finiture / Finishes

C2 Matte black + C2 Matte black,  
C2 Matte black + C41 Brushed  
brass, C2 Matte black + C48 Black  
chrome

CE  IP40

Struttura in metallo verniciato a polveri epossidiche con asta telescopica regolabile al momento dell'installazione. Cono realizzato in alluminio verniciato a polveri epossidiche, finitura cromo nero o ottone spazzolato con snodo rotabile di 270°. Diffusore in metacrilato.  
Metal structure coated with epoxy powders with telescopic rod adjustable on site. Cone made of epoxy powders coated aluminum, black chrome or brushed brass finish with adjustable direct light 270°. Methacrylate diffuser.

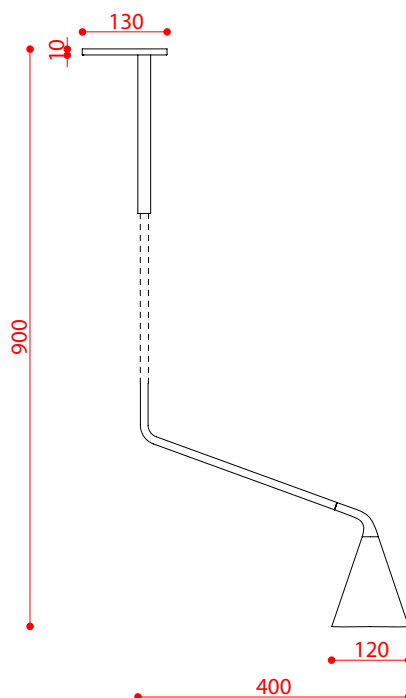
## ABOUT

Una nuova interpretazione formale e materica del diffusore conico è la caratteristica principale delle lampade GORDON. Dall'aspetto essenziale e raffinato ma dal carattere forte conferitogli dalla forma della fusione in ottone, queste lampade pratiche e versatili si prestano ad essere usate in diversi ambienti, da quello domestico a quello lavorativo come negli spazi commerciali e 'hospitality'.

A new formal and material interpretation of the conical diffuser is the main feature of GORDON lamps.

The essential and refined aspect with a strong character that is conferred by the shape of the brass casting; these practical and versatile lamps are suitable to be used in different environments, from the domestic to the working one as in the commercial spaces and 'hospitality'.





## GORDON

designed by Corrado Dotti

561.15a Soffitto - Ceiling

### Collezione / Series

Gordon

### Dimensioni / Dimensions

H. 70-90 x L. 40 / H. 27.5"-35.4" x L. 15.7"

### Peso / Weight

1,5 kg / 3,3 lb

### Materiali / Materials

metal, PMMA, aluminium

### Certificazioni / Certifications

CE (240V)

### Sorgente / Source

1 x E27 220/240V  
Recommended bulb: Max 10 Watts  
Dimmability: according to bulb

### Note / Notes

Recessed canopy  
Available in 110/120V

### Finiture / Finishes

C2 Matte black + C2 Matte black,  
C2 Matte black + C41 Brushed  
brass, C2 Matte black + C48 Black  
chrome

CE  IP40

Struttura in metallo verniciato a polveri epossidiche con rosone ad incasso e asta telescopica regolabile al momento dell'installazione. Cono realizzato in metallo verniciato a polveri epossidiche, finitura cromo nero o ottone spazzolato con snodo rotabile di 270°. Diffusore in metacrilato.

Metal structure with recessed canopy coated with epoxy powders with telescopic rod adjustable on site. Cone made of epoxy powders coated aluminum, black chrome or brushed brass finish with adjustable direct light 270°. Methacrylate diffuser.

## ABOUT

Una nuova interpretazione formale e materica del diffusore conico è la caratteristica principale delle lampade GORDON. Dall'aspetto essenziale e raffinato ma dal carattere forte conferitogli dalla forma della fusione in ottone, queste lampade pratiche e versatili si prestano ad essere usate in diversi ambienti, da quello domestico a quello lavorativo come negli spazi commerciali e 'hospitality'.

A new formal and material interpretation of the conical diffuser is the main feature of GORDON lamps.

The essential and refined aspect with a strong character that is conferred by the shape of the brass casting; these practical and versatile lamps are suitable to be used in different environments, from the domestic to the working one as in the commercial spaces and 'hospitality'.



**Design:** Corrado Dotti

**Description:** A new formal and material interpretation of the conical diffuser is the main feature of GORDON lamps.

The essential and refined aspect with a strong character that is conferred by the shape of the brass casting; these practical and versatile lamps are suitable to be used in different environments, from the domestic to the working one as in the commercial spaces and 'hospitality'.

**Materials:** metal, aluminum, PMMA

**Mounting:** Canopy: Ø 13 cm included with bracket. Cable: 2 x 0,75 mm<sup>2</sup>. Adjustable height: from 70 to 90 cm. Adjustable direct light: 270°.

**Nt. Wt.:** 1,5 kg

**Class:** Degree of protection IP40, insulation class 1.

**Note:** Recessed canopy available  
Available in 110/120V

CE ⊕ IP40

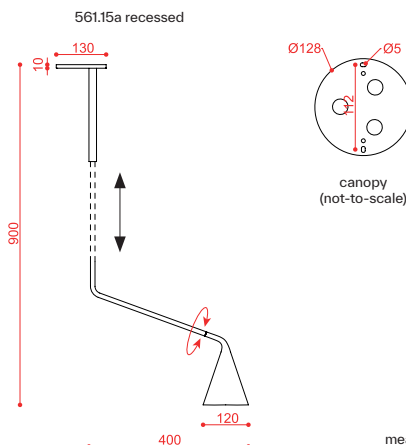
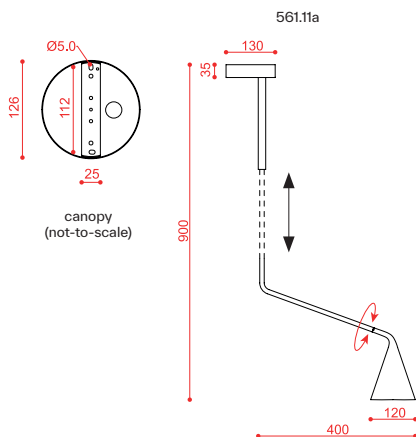


code	source	lumens	dimmability	finishes	cable (cm)	dimensions (cm)	recommended bulb
561.11a 561.15a rec.	1 x E27 220/240V	/	according to bulb	C2 + C2	-	H 70 - 90 x L 40	max 7,5W
561.11a 561.15a rec.	1 x E27 220/240V	/	according to bulb	C2 + C41	-	H 70 - 90 x L 40	max 7,5W
561.11a 561.15a rec.	1 x E27 220/240V	/	according to bulb	C2 + C48	-	H 70 - 90 x L 40	max 7,5W

Hardware Cone



C2 Matte black + C2 Matte black  
C2 Matte black + C41 Brushed brass  
C2 Matte black + C48 Black chrome



measurements in mm