

GORDON

designed by Corrado Dotti

561.24 Soffitto - Pendant

Collezione / Series

Gordon

Dimensioni / Dimensions

H. 18 x Ø. 44 / H. 7.1" x Ø. 1.73"

Peso / Weight

5,2 kg / 11,4 lb

Materiali / Materials

metal, PMMA, aluminium

CE  IP40

Certificazioni / Certifications

CE (240V)

Sorgente / Source

110/240 V
Integrated LED
Wattage: 20 Watts
Lumens: 2500 lm
Color Temperature: 3000K
Cable: 150 cm

Note / Notes

Custom ceiling plate on request

Finiture / Finishes

C2 Matte black + C2 Matte black,
C2 Matte black + C41 Brushed
brass, C2 Matte black + C48 Black
chrome

Struttura in metallo verniciato a polveri epossidiche, in cromo nero o ottone spazzolato. Diffusore in metacrilato.
Metal structure coated with epoxy powders, black chrome or brushed brass finish. Methacrylate diffuser.

ABOUT

Una nuova interpretazione formale e materica del diffusore conico è la caratteristica principale delle lampade GORDON. Dall'aspetto essenziale e raffinato ma dal carattere forte conferitogli dalla forma della fusione in ottone, queste lampade pratiche e versatili si prestano ad essere usate in diversi ambienti, da quello domestico a quello lavorativo come negli spazi commerciali e 'hospitality'.

A new formal and material interpretation of the conical diffuser is the main feature of GORDON lamps.

The essential and refined aspect with a strong character that is conferred by the shape of the brass casting; these practical and versatile lamps are suitable to be used in different environments, from the domestic to the working one as in the commercial spaces and 'hospitality'.



GORDON

561.24 Pendant

Picture on page 49 of the catalogue

Design: Corrado Dotti

Description: A new formal and material interpretation of the conical diffuser is the main feature of GORDON lamps.

The essential and refined aspect with a strong character that is conferred by the shape of the brass casting; these practical and versatile lamps are suitable to be used in different environments, from the domestic to the working one as in the commercial spaces and 'hospitality'.

Materials: metal, aluminum, PMMA

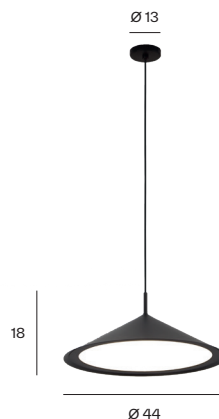
Mounting: Pendant: cable length 150 cm. Cable: 3 x 0,75 mm². Canopy: Ø 13 cm included with bracket.

Nt. Wt.: 5,2 kg

Class: Degree of protection IP40, insulation class 1.

Note: Custom canopy on request

CE \oplus IP40

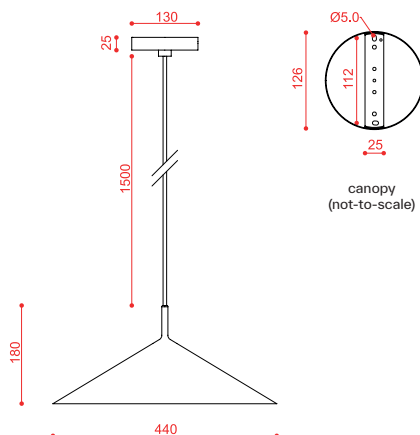


code	source	lumens	dimmability	finishes	cable (cm)	dimensions (cm)	LED
561.24	1 x LED 220/240V	2500 Lm	phase cut	C2 + C2	150	H 18 - Ø 44	20W 2700K
561.24	1 x LED 220/240V	2500 Lm	phase cut	C2 + C41	150	H 18 - Ø 44	20W 2700K
561.24	1 x LED 220/240V	2500 Lm	phase cut	C2 + C48	150	H 18 - Ø 44	20W 2700K

Hardware Cone



C2 Matte black + C2 Matte black
C2 Matte black + C41 Brushed brass
C2 Matte black + C48 Black chrome



measurements in mm