

GORDON

designed by Corrado Dotti

561.31 Tavolo - Table

Collezione / Series

Gordon

Dimensioni / Dimensions

H. 45 x L. 30 / H. 17.7" x Ø. 11.8"

Peso / Weight

2,4 kg / 5,3 lb

Materiali / Materials

metal, PMMA, aluminium

Certificazioni / Certifications

CE (240V)

Sorgente / Source

1 x E27 220/240V

Recommended bulb: Max 10 Watts

Dimmability: on request

Cable: 150 cm

Note / Notes

Available in 110/120V

Finiture / Finishes

C2 Matte black + C2 Matte black,
C2 Matte black + C41 Brushed
brass, C2 Matte black + C48 Black
chrome

CE  IP40

Struttura realizzata da una base e uno stelo in metallo verniciato a polveri epossidiche. Cono realizzato in alluminio verniciato a polveri epossidiche, finitura cromo nero o ottone spazzolato. Luce orientabile di 270°. Diffusore in metacrilato.

Structure made from a metal base and stem coated with epoxy powder. Aluminum cone coated with epoxy powders, black chrome or brushed brass finish. Adjustable light 270°. Methacrylate diffuser.

ABOUT

Una nuova interpretazione formale e materica del diffusore conico è la caratteristica principale delle lampade GORDON. Dall'aspetto essenziale e raffinato ma dal carattere forte conferitogli dalla forma della fusione in ottone, queste lampade pratiche e versatili si prestano ad essere usate in diversi ambienti, da quello domestico a quello lavorativo come negli spazi commerciali e 'hospitality'.

A new formal and material interpretation of the conical diffuser is the main feature of GORDON lamps.

The essential and refined aspect with a strong character that is conferred by the shape of the brass casting; these practical and versatile lamps are suitable to be used in different environments, from the domestic to the working one as in the commercial spaces and 'hospitality'.

GORDON

561.31 Table

Picture on page 32 of the catalogue

Design: Corrado Dotti

Description: A new formal and material interpretation of the conical diffuser is the main feature of GORDON lamps. The essential and refined aspect with a strong character that is conferred by the shape of the brass casting; these practical and versatile lamps are suitable to be used in different environments, from the domestic to the working one as in the commercial spaces and 'hospitality'.

Materials: metal, aluminum, PMMA

Mounting: Table: cable length 150 cm. Cable: 2 x 0,75 mm². Plug: type C (EU). On/off switch: 50 cm from the base on black fabric cable. Adjustable direct light: 270°.

Nt. Wt.: 2,4 kg

Class: Degree of protection IP40, insulation class 2.

Note: Dimmer version available
Available in 110/120V

CE  IP40



code	source	lumens	dimmability	finishes	cable (cm)	dimensions (cm)	recommended bulb
561.31	1 x E27 220/240V	/	on request	C2 + C2	150	H 45 - L 30	max 7,5W
561.31	1 x E27 220/240V	/	on request	C2 + C41	150	H 45 - L 30	max 7,5W
561.31	1 x E27 220/240V	/	on request	C2 + C48	150	H 45 - L 30	max 7,5W

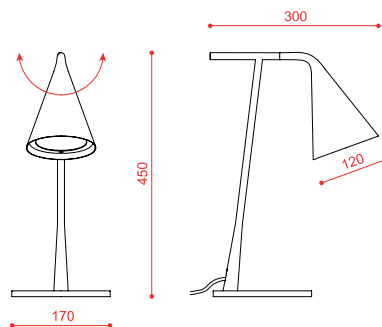
Hardware Cone



C2 Matte black + C2 Matte black

C2 Matte black + C41 Brushed brass

C2 Matte black + C48 Black chrome



measurements in mm