

GORDON

designed by Corrado Dotti

561.41 Parete - Wall

Collezione / Series

Gordon

Dimensioni / Dimensions

H. 22 x D. 23 / H. 8.7" x L. 9.1"

Peso / Weight

0,7 kg / 1,5 lb

Materiali / Materials

metal, PMMA, aluminium

Certificazioni / Certifications

CE (240V)

Sorgente / Source

1 x E27 220/240V

Recommended bulb: Max 10 Watts

Dimmability: according to bulb

Note / Notes

Custom base on request

Available in 110/120V

Finiture / Finishes

C2 Matte black + C2 Matte black,
C2 Matte black + C41 Brushed
brass, C2 Matte black + C48 Black
chrome

CE  IP40

Struttura in metallo verniciato a polveri epossidiche. Cono realizzato in alluminio verniciato a polveri epossidiche, finitura cromo nero o ottone spazzolato. Luce orientabile di 270°. Diffusore in metacrilato.

Metal structure coated with epoxy powders. Aluminum cone coated with epoxy powders, black chrome or brushed brass finish. Adjustable light 270°. Methacrylate diffuser.

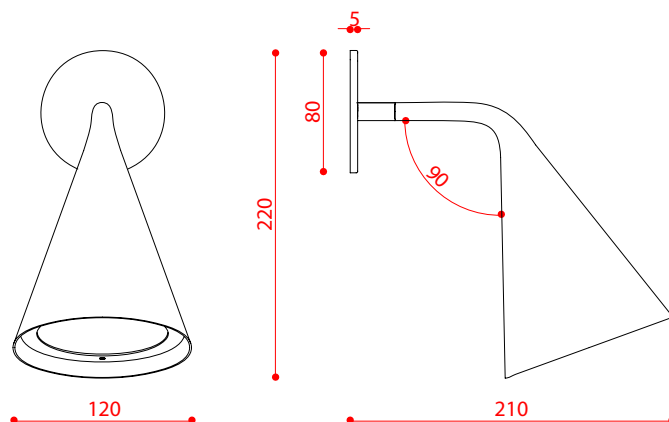
ABOUT

Una nuova interpretazione formale e materica del diffusore conico è la caratteristica principale delle lampade GORDON. Dall'aspetto essenziale e raffinato ma dal carattere forte conferitogli dalla forma della fusione in ottone, queste lampade pratiche e versatili si prestano ad essere usate in diversi ambienti, da quello domestico a quello lavorativo come negli spazi commerciali e 'hospitality'.

A new formal and material interpretation of the conical diffuser is the main feature of GORDON lamps.

The essential and refined aspect with a strong character that is conferred by the shape of the brass casting; these practical and versatile lamps are suitable to be used in different environments, from the domestic to the working one as in the commercial spaces and 'hospitality'.





GORDON

designed by Corrado Dotti

561.45 Parete - Wall

Collezione / Series

Gordon

Dimensioni / Dimensions

H. 22 x D. 21 / H. 8.7" x L. 8.3"

Peso / Weight

0,7 kg / 1,5 lb

Materiali / Materials

metal, PMMA, aluminium

Certificazioni / Certifications

CE (240V)

Sorgente / Source

1 x E27 220/240V

Recommended bulb: Max 10 Watts

Dimmability: according to bulb

Note / Notes

Recessed canopy available

Available in 110/120V

Finiture / Finishes

C2 Matte black + C2 Matte black,
C2 Matte black + C41 Brushed
brass, C2 Matte black + C48 Black
chrome

CE  IP40

Struttura in metallo verniciato a polveri epossidiche con basetta ad incasso. Cono realizzato in alluminio verniciato a polveri epossidiche, finitura cromo nero o ottone spazzolato. Luce orientabile di 270°. Diffusore in metacrilato.

Metal structure coated with epoxy powders with recessed base. Aluminum cone coated with epoxy powders, black chrome or brushed brass finish. Adjustable light 270°. Methacrylate diffuser.

ABOUT

Una nuova interpretazione formale e materica del diffusore conico è la caratteristica principale delle lampade GORDON. Dall'aspetto essenziale e raffinato ma dal carattere forte conferitogli dalla forma della fusione in ottone, queste lampade pratiche e versatili si prestano ad essere usate in diversi ambienti, da quello domestico a quello lavorativo come negli spazi commerciali e 'hospitality'.

A new formal and material interpretation of the conical diffuser is the main feature of GORDON lamps.

The essential and refined aspect with a strong character that is conferred by the shape of the brass casting; these practical and versatile lamps are suitable to be used in different environments, from the domestic to the working one as in the commercial spaces and 'hospitality'.



Design: Corrado Dotti

Description: A new formal and material interpretation of the conical diffuser is the main feature of GORDON lamps.

The essential and refined aspect with a strong character that is conferred by the shape of the brass casting; these practical and versatile lamps are suitable to be used in different environments, from the domestic to the working one as in the commercial spaces and 'hospitality'.

Materials: metal, aluminum, PMMA

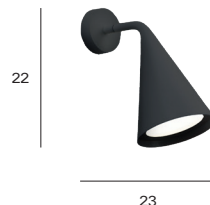
Mounting: Cable: 2 x 0,50 mm². Base: Ø 8 cm included with bracket. Adjustable direct light: 270°.

Nt. Wt.: 0,7 kg

Class: Degree of protection IP40, insulation class 1.

Note: Custom base on request
Recessed base available (561.45)
Available in 110/120V

CE ⊕ IP40

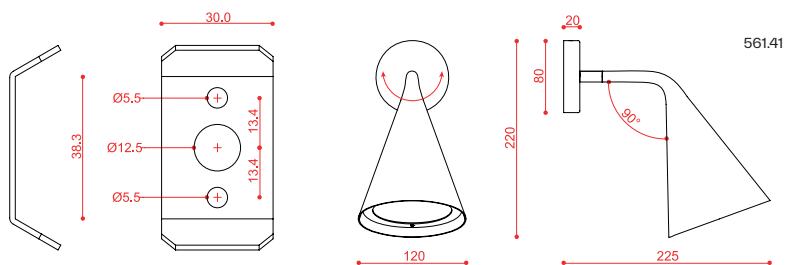


code	source	lumens	dimmability	finishes	cable (cm)	dimensions (cm)	recommended bulb
561.41 561.45 rec.	1 x E27 220/240V	/	according to bulb	C2 + C2	/	H 22 - D23 H 22 - D21	max 7,5W
561.41 561.45 rec.	1 x E27 220/240V	/	according to bulb	C2 + C41	/	H 22 - D23 H 22 - D21	max 7,5W
561.41 561.45 rec.	1 x E27 220/240V	/	according to bulb	C2 + C48	/	H 22 - D23 H 22 - D21	max 7,5W

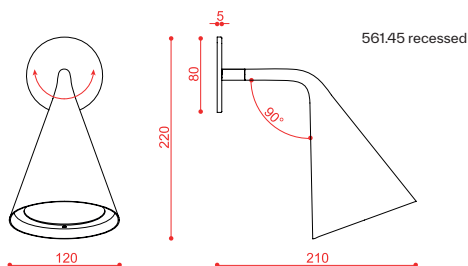
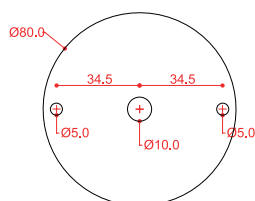
Hardware Cone



C2 Matte black + C2 Matte black
C2 Matte black + C41 Brushed brass
C2 Matte black + C48 Black chrome



bracket (not-to-scale)



measurements in mm