

NASTRO

designed by Studiopepe

563.21 Sospensione - Pendant

Collezione / Series

Nastro

Dimensioni / Dimensions

H. 19 x L. 105 / H. 7.5" x L. 41.3"

Peso / Weight

4 kg / 8,8 lb

Materiali / Materials

aluminum, brass, wood

CE  IP40

Certificazioni / Certifications

CE (240V)

Sorgente / Source

110/240 V
Integrated LED
Wattage: 35 Watts
Color Temperature: 2700K
Lumens: 4500 lm
Dimmability: TRIAC
Steel cable: 125 cm

Note / Notes

Decentralized canopy
Available with indirect light
DALI version on request

Finiture / Finishes

Hardware: C22 Beige,
C23 Eggshell, C25 Terracotta, C26
Greenish-grey, C74 Sand black

Cylinder: C22 Beige, C23 Eggshell,
C25 Terracotta, C26 Greenish-grey,
C74 Sand black, C41 Brushed brass,
W01 Ash

Struttura formata da una fascia di alluminio verniciata a polveri epossidiche e cilindri in ottone spazzolato metallo verniciato a polveri epossidiche o legno. La fonte luminosa consiste in una striscia LED dimmerabile. Disponibile versione a luce indiretta. Driver remoto per la versione con cilindro in legno.

Structure made of epoxy powder coated aluminum band structure accompanied by a brushed brass, painted metal or wood cylinders. The light source consists of a dimmable LED strip included. Indirect light version available. Remote driver for wood cylinders.

ABOUT

La famiglia di lampade a sospensione, da parete, da terra e da tavolo Nastro progettate da Studiopepe vedono una struttura a fascia in alluminio verniciato a polvere epossidica accompagnarsi a un peso cilindrico che ne controbilancia la flessuosità, in un ricercato equilibrio visivo. La fonte luminosa consiste in una striscia LED dimmerabile; i cilindri sono disponibili in metallo verniciato a polvere epossidica, in legno, in ottone spazzolato e in cemento grezzo.

The Nastro collection of suspension, wall, floor and table lamps designed by Studiopepe sees an epoxy powder coated aluminum band structure accompanied by a cylindrical weight that counterbalances its flexuosity, in a refined visual balance. The light source consists of a dimmable LED strip; the cylinders are available in epoxy powder coated metal, in wood, in brushed brass and in raw concrete.

NASTRO

563.21 Pendant

Picture on page 99/114/115 of the catalogue

Design: Studiopepe

Description: The suspension sees an epoxy powder coated aluminum band structure accompanied by a cylindric weight that counterbalances its flexuosity, in a refined visual balance. The light source consists of a dimmable LED strip; the cylinders are available in epoxy powder coated metal, in wood and in brushed brass.

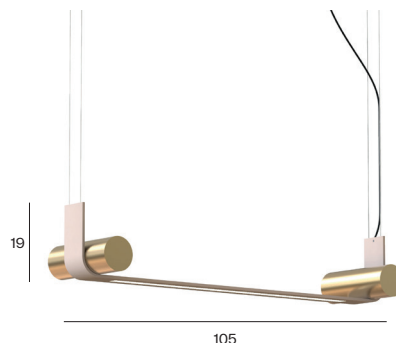
Materials: aluminum, brass, wood

Mounting: Pendant: 125 cm steel cable, electric cable length 150 cm. Cable: 2 x 0,75 mm². Canopy: Ø 13 cm included with bracket.

Nt. Wt.: 4 kg

Class: Degree of protection IP40, insulation class 1.

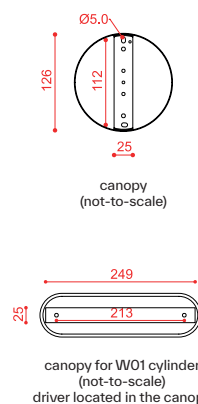
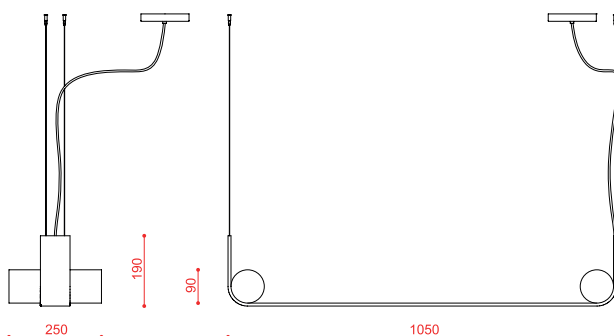
Note: Decentralized canopy
Available with indirect light
DALI version on request
Available in 110/120V



CE Ⓢ IP40

code	source	lumens	dimmability	hardware finishes + cylinder	cable (cm)	dimensions (cm)	LED
563.21	LED 220/240V	4500 Lm	TRIAC	all color combos	125	H 19 x L 105	35W 2700K
563.25 indirect	LED 220/240V	4500 Lm	TRIAC	all color combos	125	H 19 x L 105	35W 2700K

Hardware	Cylinder	
		C22 Beige
		C23 Eggshell
		C25 Terracotta
		C26 Greenish-grey
		C74 Sand black
		C41 Brushed brass
		W01 Ash



measurements in mm