

NASTRO

designed by Studio Pepe

563.32 Tavolo - Table

Collezione / Series

Nastro

Dimensioni / Dimensions

H. 41 x L. 47 / H. 16.1" x L. 18.5"

Peso / Weight

3,5 kg / 7,7 lb

Materiali / Materials

aluminum, brass, wood, concrete, metal

Certificazioni / Certifications

CE (240V)

Sorgente / Source

110/240 V
Integrated LED
Wattage: 15 Watts
Lumens: 2000 lm
Dimmability: on board
Color Temperature: 2700K
Cable: 150 cm

Note / Notes

Touch dimmer on board

Finiture / Finishes

Hardware: C22 Beige, C23 Eggshell, C25 Terracotta, C26 Greenish-grey, C74 Sand black

Cylinder: C22 Beige, C23 Eggshell, C25 Terracotta, C26 Greenish-grey, C74 Sand black, C41 Brushed brass, W01 Ash, M01 Concrete

CE  IP40

Struttura realizzata con profilato in alluminio verniciata a polveri epossidiche e cilindro in metallo verniciato a polveri epossidiche, ottone spazzolato, legno o cemento grezzo. Tasto di accensione touch integrato nella lampada. La fonte luminosa consiste in una striscia LED dimmerabile. Driver remoto per la versione con cilindro in legno o cemento grezzo.

Structure made with epoxy powder coated aluminum profile and epoxy powder coated metal cylinder, brushed brass, wood or raw concrete. Touch power button integrated in the structure. The light source consists of a dimmable LED strip. Remote driver for the version with wooden or rough concrete cylinder.

ABOUT

La famiglia di lampade a sospensione, da parete, da terra e da tavolo Nastro progettate da Studiopepe vedono una struttura a fascia in alluminio verniciato a polvere epossidica accompagnarsi a un peso cilindrico che ne controbilancia la flessuosità, in un ricercato equilibrio visivo. La fonte luminosa consiste in una striscia LED dimmerabile; i cilindri sono disponibili in metallo verniciato a polvere epossidica, in legno, in ottone spazzolato e in cemento grezzo.

The Nastro collection of suspension, wall, floor and table lamps designed by Studiopepe sees an epoxy powder coated aluminum band structure accompanied by a cylindrical weight that counterbalances its flexuosity, in a refined visual balance. The light source consists of a dimmable LED strip; the cylinders are available in epoxy powder coated metal, in wood, in brushed brass and in raw concrete.



NASTRO

563.32 Table

Picture on page 13 of the catalogue

Design: Studiopepe

Description: The Nastro table lamps sees an epoxy powder coated aluminum band structure accompanied by a cylindric weight that counterbalances its flexuosity, in a refined visual balance. The light source consists of a dimmable LED strip; the cylinders are available in epoxy powder coated metal, in wood, in brushed brass and in raw concrete or marble effect.

Materials: aluminum, brass, wood, concrete

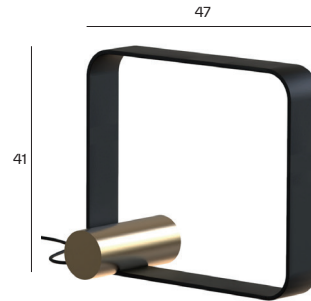
Mounting: Table: cable length 150 cm. Cable: 3 x 0,75 mm². Plug: type F (Schuko). Switch on: touch dimmer on the structure.

Nt. Wt.: 3,5 kg (+ 2kg for M01)

Class: Degree of protection IP40, insulation class 1.

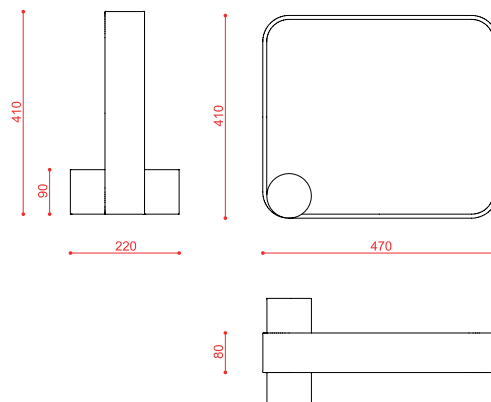
Note: Touch dimmer on board
Available in 110/120V

CE ⊕ IP40



code	source	lumens	dimmability	hardware finishes + cylinder	cable (cm)	dimensions (cm)	LED
563.32	LED 220/240V	2000 Lm	on board	all color combos (no M01)	150	H 41 x L 47	15W 2700K
563.32	LED 220/240V	2000 Lm	on board	all color combos + M01	150	H 41 x L 47	15W 2700K

Hardware	Cylinder	
		C22 Beige
		C23 Eggshell
		C25 Terracotta
		C26 Greenish-grey
		C74 Sand black
		C41 Brushed brass
		W01 Ash
		M01 Concrete



measurements in mm