

NASTRO

designed by Studio Pepe

563.42 Parete - Wall

Collezione / Series

Nastro

Dimensioni / Dimensions

H. 51 x D. 12 / H. 20.1" x D. 4.7"

Peso / Weight

2,2 kg / 4,9 lb

Materiali / Materials

aluminum, brass, wood, metal

CE  IP40

Certificazioni / Certifications

CE (240V)

Sorgente / Source

110/240 V
Integrated LED
Wattage: 17 Watts
Lumens: 2300 lm
Dimmability: TRIAC
Color Temperature: 2700K

Note / Notes

IP44 outdoor version available
DALI version on request

Finiture / Finishes

Hardware: C22 Beige,
C23 Eggshell, C25 Terracotta, C26
Greenish-grey, C74 Sand black

Cylinder: C22 Beige, C23 Eggshell
C25 Terracotta, C26 Greenish-grey
C74 Sand black, C41 Brushed brass,
W01 Ash

Struttura realizzata con profilato in alluminio verniciata a polveri epossidiche e cilindro in ottone spazzolato, legno o metallo verniciato a polveri epossidiche. Versione outdoor IP44 disponibile con cilindro in metallo. La fonte luminosa consiste in una striscia LED dimmerabile. Driver remoto per versione con cilindro in legno.

Structure made with epoxy powder coated aluminum profile and cylinder in brushed brass, wood or metal painted with epoxy powders. The light source consists of a dimmable LED strip. IP44 outdoor version available with metal cylinder. Remote driver for version with wooden cylinder.

ABOUT

La famiglia di lampade a sospensione, da parete, da terra e da tavolo Nastro progettate da Studiopepe vedono una struttura a fascia in alluminio verniciato a polvere epossidica accompagnarsi a un peso cilindrico che ne controbilancia la flessuosità, in un ricercato equilibrio visivo. La fonte luminosa consiste in una striscia LED dimmerabile; i cilindri sono disponibili in metallo verniciato a polvere epossidica, in legno, in ottone spazzolato e in cemento grezzo.

The Nastro collection of suspension, wall, floor and table lamps designed by Studiopepe sees an epoxy powder coated aluminum band structure accompanied by a cylindrical weight that counterbalances its flexuosity, in a refined visual balance. The light source consists of a dimmable LED strip; the cylinders are available in epoxy powder coated metal, in wood, in brushed brass and in raw concrete.

NASTRO

563.42 Wall

Picture on page 39 of the catalogue

Design: Studiopepe

Description: The Nastro wall lamps sees an epoxy powder coated aluminum band structure accompanied by a cylindric weight that counterbalances its flexuosity, in a refined visual balance. The light source consists of a dimmable LED strip; the cylinders are available in epoxy powder coated metal, in wood and in brushed brass.

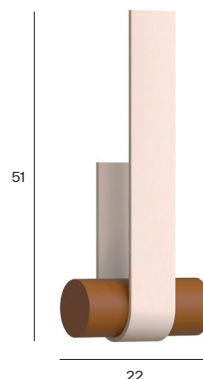
Materials: aluminum, brass, wood, metal

Mounting: Cable: 2 x 0,75 mm². Base: 18 x 6 cm included with bracket. Remote driver dimensions: H 2 x L 16 x W 4,5 cm.

Nt. Wt.: 2,2 kg

Class: Degree of protection IP40, insulation class 1.

Note: Remote driver included (for W01)
IP44 outdoor version available
Available in 110/120V
DALI version on request

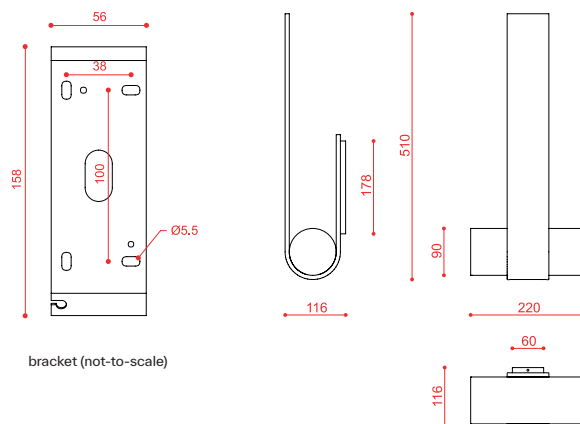


CE \oplus IP40

W01: CE \oplus IP40

code	source	lumens	dimmability	hardware finishes + cylinder	cable (cm)	dimensions (cm)	LED
563.42	LED 220/240V	2300 Lm	TRIAC	all color combos	/	H 51 x D 12	17W 2700K
563.42 outdoor	LED 220/240V	2300 Lm	TRIAC	all color combos (no W01)	/	H 51 x D 12	17W 2700K

- | Hardware | Cylinder | |
|----------|----------|-----------------------|
| | | C22 Beige |
| | | C23 Eggshell |
| | | C25 Terracotta |
| | | C26 Greenish-grey |
| | | C74 Sand black |
| | | C41 Brushed brass |
| | | W01 Ash (only indoor) |



measurements in mm