

## NASTRO

designed by Studio Pepe

563.46 Parete - Wall

### Collezione / Series

Nastro

### Dimensioni / Dimensions

H. 129 x D. 138 / H. 50.1" x D. 54.3"

### Peso / Weight

5 kg / 11 lb

### Materiali / Materials

aluminum, brass, wood, metal

CE  IP40

### Certificazioni / Certifications

CE (240V)

### Sorgente / Source

110/240 V  
Integrated LED  
Wattage: 63 Watts  
Lumens: 8300 lm  
Dimmability: TRIAC  
Color Temperature: 2700K

### Note / Notes

DALI version on request

### Finiture / Finishes

Hardware: C22 Beige, C23 Eggshell, C25 Terracotta, C26 Greenish-grey, C74 Sand black

Cylinder: C22 Beige, C23 Eggshell, C25 Terracotta, C26 Greenish-grey, C74 Sand black, C41 Brushed brass, W01 Ash

Struttura formata da una fascia di alluminio verniciata a polveri epossidiche e cilindri in ottone spazzolato, metallo verniciato a polveri epossidiche o legno. La fonte luminosa consiste in una striscia LED dimmerabile. Driver remoto per versione con cilindro in legno.

Structure made of epoxy powder coated aluminum band structure accompanied by a brushed brass, painted metal or wood cylinder. The light source consists of a dimmable LED strip included. Remote driver for version with wooden cylinder.

## ABOUT

La famiglia di lampade a sospensione, da parete, da terra e da tavolo Nastro progettate da Studiopepe vedono una struttura a fascia in alluminio verniciato a polvere epossidica accompagnarsi a un peso cilindrico che ne controbilancia la flessuosità, in un ricercato equilibrio visivo. La fonte luminosa consiste in una striscia LED dimmerabile; i cilindri sono disponibili in metallo verniciato a polvere epossidica, in legno, in ottone spazzolato e in cemento grezzo.

The Nastro collection of suspension, wall, floor and table lamps designed by Studiopepe sees an epoxy powder coated aluminum band structure accompanied by a cylindrical weight that counterbalances its flexuosity, in a refined visual balance. The light source consists of a dimmable LED strip; the cylinders are available in epoxy powder coated metal, in wood, in brushed brass and in raw concrete.

# NASTRO

563.46 Wall

**Design:** Studiopepe

**Description:** The Nastro wall lamps sees an epoxy powder coated aluminum band structure accompanied by a cylindric weight that counterbalances its flexuosity, in a refined visual balance. The light source consists of a dimmable LED strip; the cylinders are available in epoxy powder coated metal, in wood and in brushed brass.

**Materials:** aluminum, brass, wood, metal

**Mounting:** Cable: 2 x 0,75 mm<sup>2</sup>. Base: 50 x 7 cm included with bracket. Remote driver dimensions: H 2 x L 16 x W 4,5 cm.

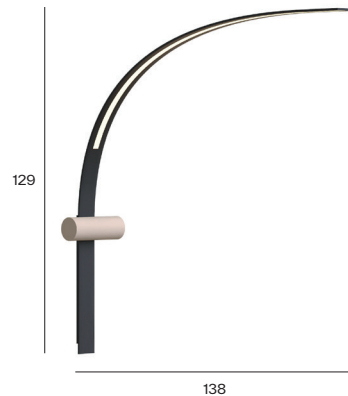
**Nt. Wt.:** 5 kg

**Class:** Degree of protection IP40, insulation class 1.

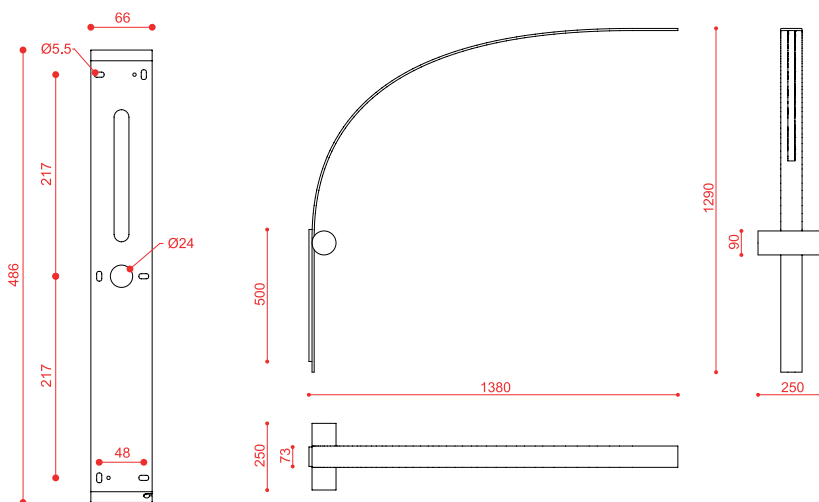
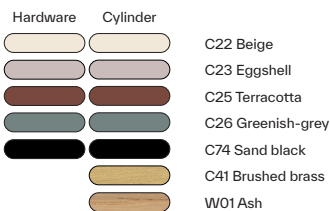
**Note:** Remote driver included (for W01)  
Available in 110/120V  
DALI version on request

CE ⊕ IP40

W01: CE ⊕ IP40



code	source	lumens	dimmability	hardware finishes + cylinder	cable (cm)	dimensions (cm)	LED
563.46	LED 220/240V	8300 Lm	TRIAC	all color combos	/	H 129 x D 138	63W 2700K



bracket (not-to-scale)

measurements in mm