

NASTRO

563.63 Floor

Design: Studiopepe

Description: The Nastro floor lamps sees an epoxy powder coated aluminum band structure accompanied by a cylindric weight that counterbalances its flexuosity, in a refined visual balance. The light source consists of a dimmable LED strip; the cylinders are available in epoxy powder coated metal, in wood and in brushed brass.

Materials: aluminum, brass, wood, metal

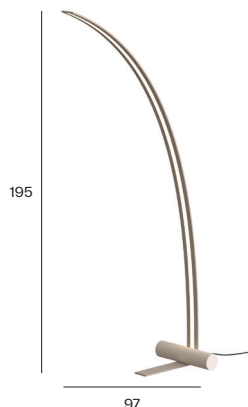
Mounting: Floor: cable length 300 cm. Cable: 3 x 0,75 mm². Plug: type F (Schuko). Dimmer: 80 cm from the base on black fabric cable.

Nt. Wt.: 8,5 kg

Class: Degree of protection IP40, insulation class 1.

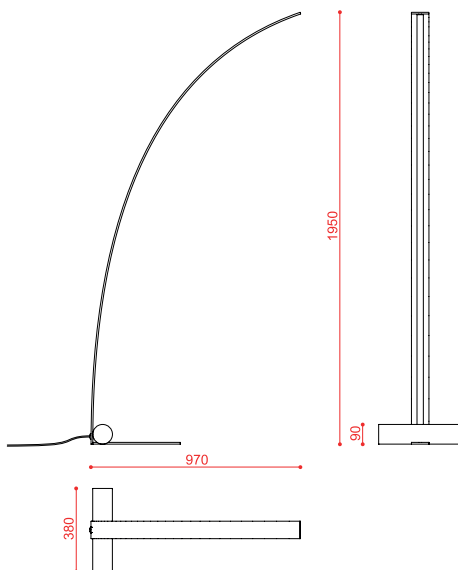
Note: Available in 110/120V

CE ⊕ IP40



code	source	lumens	dimmability	hardware finishes + cylinder	cable (cm)	dimensions (cm)	LED
563.63	LED 220/240V	6900 Lm	dimmer on cable	all color combos	300	H 195 x D 97	49W 2700K

Hardware	Cylinder	
		C22 Beige
		C23 Eggshell
		C25 Terracotta
		C26 Greenish-grey
		C74 Sand black
		C41 Brushed brass
		W01 Ash



measurements in mm