

NASTRO

designed by Studio Pepe

563.64 Terra - Floor

Collezione / Series

Nastro

Dimensioni / Dimensions

H. 207 x D. 179 / H. 81.5" x D. 70.5"

Peso / Weight

10 kg / 22 lb

Materiali / Materials

aluminum, brass, wood, metal

Certificazioni / Certifications

CE (240V)

Sorgente / Source

110/240 V
Integrated LED
Wattage: 67 Watts
Lumens: 9500 lm
Dimmability: dimmer on cable
Color Temperature: 2700K
Cable: 300 cm

Note / Notes

Custom steel cable length available

Finiture / Finishes

Hardware: C22 Beige, C23 Eggshell, C25 Terracotta, C26 Greenish-grey, C74 Sand black

Cylinder: C22 Beige, C23 Eggshell, C25 Terracotta, C26 Greenish-grey, C74 Sand black, C41 Brushed brass, W01 Ash

CE  IP40

Struttura realizzata con profilato in alluminio verniciata a polveri epossidiche con cilindro in ottone spazzolato, metallo verniciato a polveri epossidiche o legno. La fonte luminosa consiste in una striscia LED dimmerabile. Dimmer integrato nel cavo. Driver remoto per la versione con cilindro in legno. Il cavo in acciaio è regolabile.

Structure made with epoxy powder coated aluminum profile with brushed brass, epoxy powder coated metal or wood cylinder. The light source consists of a dimmable LED strip. Dimmer integrated in the cable. Remote driver for the version with wooden cylinder. Steel cable adjustable on site.

ABOUT

La famiglia di lampade a sospensione, da parete, da terra e da tavolo Nastro progettate da Studiopepe vedono una struttura a fascia in alluminio verniciato a polvere epossidica accompagnarsi a un peso cilindrico che ne controbilancia la flessuosità, in un ricercato equilibrio visivo. La fonte luminosa consiste in una striscia LED dimmerabile; i cilindri sono disponibili in metallo verniciato a polvere epossidica, in legno, in ottone spazzolato e in cemento grezzo.

The Nastro collection of suspension, wall, floor and table lamps designed by Studiopepe sees an epoxy powder coated aluminum band structure accompanied by a cylindrical weight that counterbalances its flexuosity, in a refined visual balance. The light source consists of a dimmable LED strip; the cylinders are available in epoxy powder coated metal, in wood, in brushed brass and in raw concrete.



NASTRO

563.64 Floor

Picture on page 82/84/85 of the catalogue

Design: Studioepe

Description: The Nastro floor lamps sees an epoxy powder coated aluminum band structure accompanied by a cylindric weight that counterbalances its flexuosity, in a refined visual balance. The light source consists of a dimmable LED strip; the cylinders are available in epoxy powder coated metal, in wood and in brushed brass.

Materials: aluminum, brass, wood, metal

Mounting: Floor: 200 cm steel cable, electric cable length 300 cm. Cable: 3 x 0,75 mm². Plug: type F (Schuko). Dimmer: 80 cm from the base on black fabric cable.

Nt. Wt.: 10 kg

Class: Degree of protection IP40, insulation class 1.

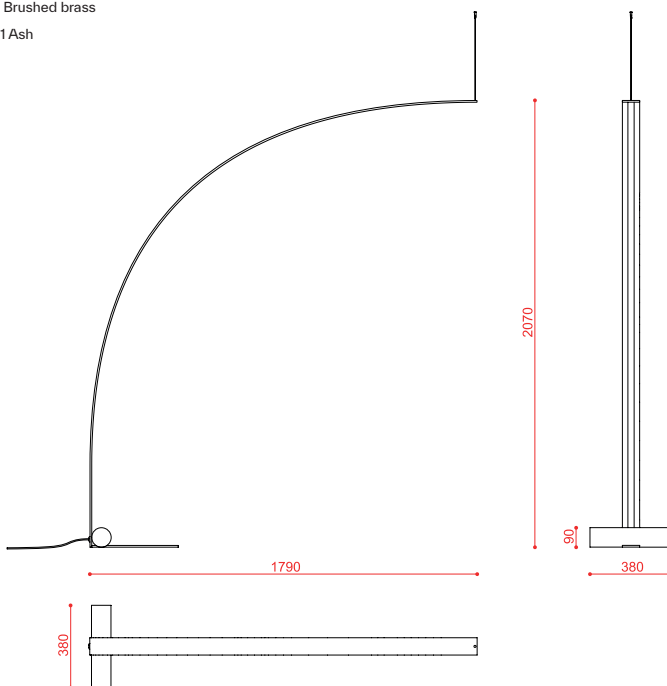
Note: Custom steel cable length available
Available in 110/120V

CE ⊕ IP40



code	source	lumens	dimmability	hardware finishes + cylinder	cable (cm)	dimensions (cm)	LED
563.64	LED 220/240V	9500 Lm	dimmer on cable	all color combos	300	H 207 x D 179	67W 2700K

Hardware	Cylinder	
		C22 Beige
		C23 Eggshell
		C25 Terracotta
		C26 Greenish-grey
		C74 Sand black
		C41 Brushed brass
		W01 Ash



measurements in mm